

LARGE TOWER PILLAR™ (LTL)



Warning



Hot Surface



Wear Gloves



High Voltage

NEEDED FOR INSTALLATION:
By Others

- 1/8" Allen Wrench
- Waterproof Wire Connectors
- Mounting Hardware
- Gloves
- Adjustable Crescent Wrench
- Silicone Sealant

IMPORTANT SAFETY INFORMATION - READ, FOLLOW, AND SAVE THESE INSTALLATION INSTRUCTIONS



IMPORTANT - WEAR GLOVES TO AVOID GETTING FINGERPRINTS ON THIS PRODUCT. MANY TEKA ILLUMINATION PRODUCTS ARE DESIGNED TO NATURALLY PATINA. OILS FROM YOUR SKIN WILL ACCELERATE THIS PROCESS WHERE TOUCHED AND ARE NEARLY IMPOSSIBLE TO REMOVE. THIS PROCESS OCCURS OVER TIME AND IS DETERMINED BY THE INSTALLATION ENVIRONMENT.

INSTRUCTIONS PERTAINING TO A RISK OF FIRE, OR INJURY TO PERSONS IMPORTANT SAFETY INSTRUCTIONS

Lighted fixture is HOT!
WARNING - To reduce the risk of FIRE OR INJURY TO PERSONS:

Turn off/unplug and allow to cool before replacing LED. Fixture gets HOT quickly! Contact only switch/plug when turning on. Do not touch hot lens, guard, or enclosure. Keep fixture away from materials that may burn. Do not operate the luminaire fitting with a missing or damaged shield. Do not touch the source at any time. Use a soft cloth or gloves. Oil from skin may cause damage.

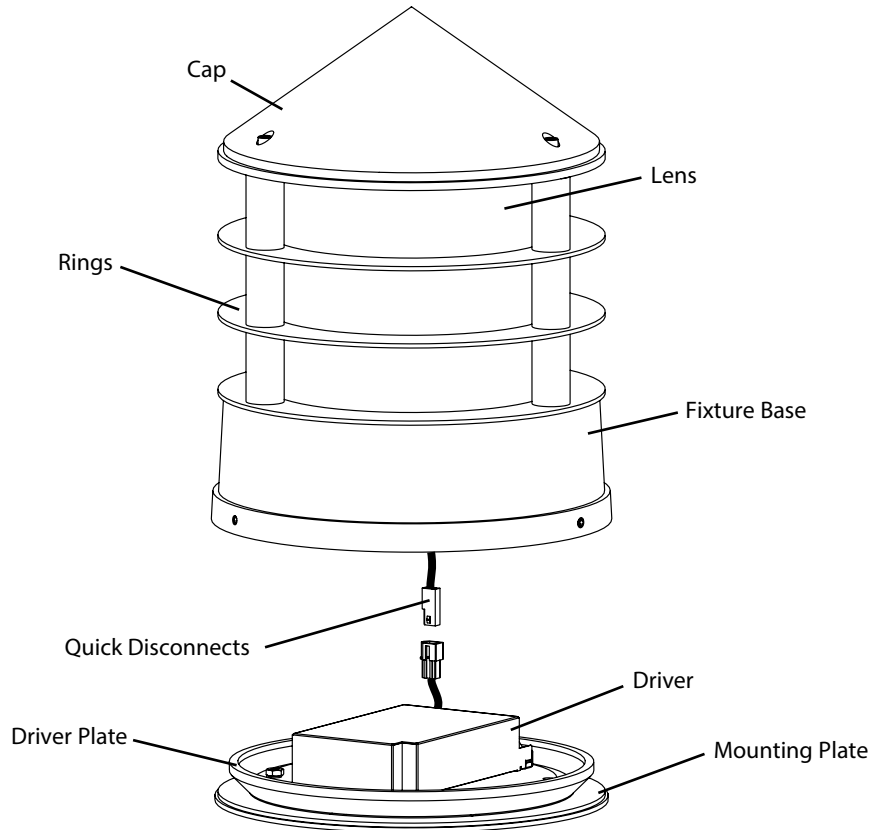
SAVE THESE INSTRUCTIONS

IMPORTANT SAFETY INFORMATION - READ, FOLLOW, AND SAVE ALL SAFETY AND INSTALLATION INSTRUCTIONS

- Product must be installed by a qualified person in a manner consistent with its intended use and in compliance with the National Electrical Code, Canadian Electrical Code, and all Local and Provincial Codes.
- Follow product label information and instructions.
- Qualified Personnel with appropriate personal protective equipment must perform all servicing of this product.
- Before wiring to power supply and during servicing, turn off and lock out power at fuse or circuit breaker before service.
- The use of accessory equipment not recommended by the manufacturer or installed contrary to instructions may cause an unsafe condition. The use of damaged components may cause an unsafe condition and void product warranty.
- Do not block light emanating from product in whole or part, as this may cause an unsafe condition.
- Never operate the fixture with missing or damaged lens. Lens must be cleaned on regular basis.
- Entire fixture may become extremely hot. Do not touch hot lens or fixture body.
- Replace LED assembly only with correct wattage and type of power supply appropriate for LED assembly.
- All gaskets, o-rings and sealing surfaces must be kept clean during installation and service; failure to do this may cause an unsafe condition and void product warranty.

IMPORTANT LISTINGS AND CERTIFICATIONS

- Suitable for wet locations



IMPORTANT SAFETY INFORMATION - READ, FOLLOW, AND SAVE THESE INSTALLATION INSTRUCTIONS

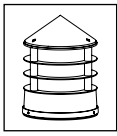
TEKA ILLUMINATION

40429 Brickyard Drive • Madera, CA 93636 • USA
559.438.5800 • FAX 559.438.5900
www.tekaillumination.com • info@tekaillumination.com

DATE
11-27-17

REFERENCE NUMBER
INS-2688-00

THIS DOCUMENT CONTAINS PROPRIETARY INFORMATION OF TEKA ILLUMINATION AND ITS RECEIPT OR POSSESSION DOES NOT CONVEY ANY RIGHTS TO REPRODUCE, DISCLOSE ITS CONTENTS, OR TO MANUFACTURE, USE OR SELL ANYTHING IT MAY DESCRIBE. REPRODUCTION, DISCLOSURE OR USE WITHOUT SPECIFIC WRITTEN AUTHORIZATION OF TEKA ILLUMINATION IS STRICTLY FORBIDDEN.

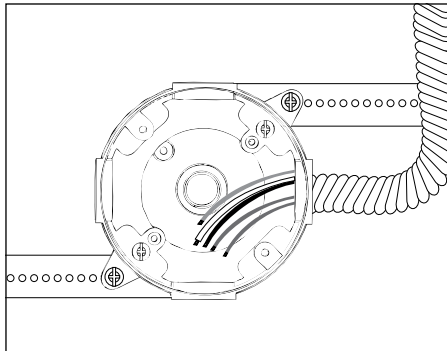


BKSSSL
SOLID STATE LIGHTING

LARGE TOWER PILLAR™ (LTL)

Phase 1 - Rough In

Installation of Back box



1. Install Conduit (By Others) to be used with this product.

2. Install junction box (By Others) so that front face is flush with finished surface.

3. Connect box to conduit and pull wires for connections (See wiring diagram).



Additional Info

- Please follow National and Local electrical codes for your area.
- Use 4" round cast box
- Suitable for through wire
- Suitable for installation into combustible materials.
- Rated for 90° C.
- Junction box, universal mounting ring screws, box mounting hardware and gaskets (By Others)

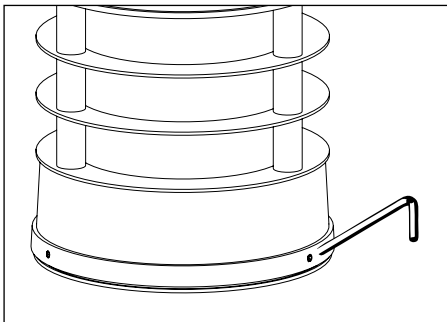


Junction box must be secured to a structural member suitable for weight of the luminaire and other weight likely to be placed upon it.

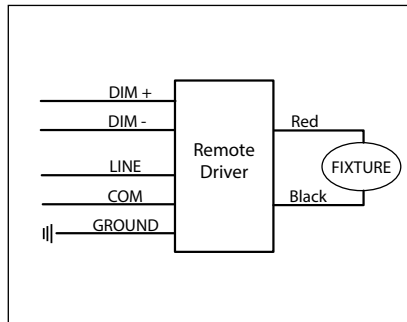


LTL Series not intended for base down or horizontal mounting.

Phase 2 - Fixture Installation

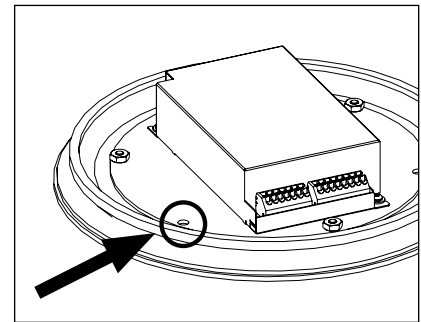


1. Loosen (3) 1/4-20 set screws using a 1/8" Allen wrench. Lift fixture assembly from base plate assembly.

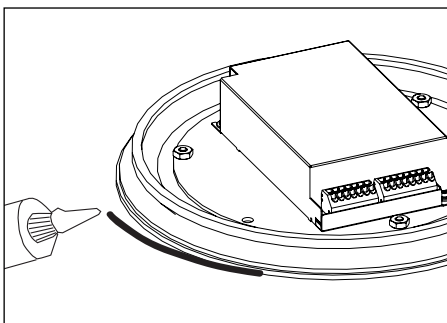


WIRING DIAGRAM

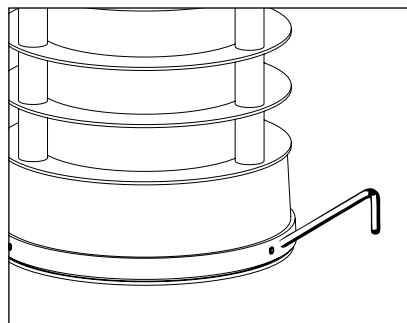
2. Make connections from primary branch circuit to driver primary leads using watertight wire connectors (By Others). Connect green fixture ground wire to green primary ground wire. Secondary side is factory wired. **See wiring diagram.**



3. Place connections into junction box. Place driver plate over junction box, then secure with mounting hardware (Mounting Hardware By Others).



4. Place a bead of silicone-based sealant (By Others) around the mounted plate to create a watertight seal as per NEC.



5. Slide fixture assembly over mounted base plate assembly. Lock in place with (3) 1/4-20 set screws using a 1/8" Allen wrench. Ensure fixture is completely seated.

**IMPORTANT SAFETY INFORMATION LISTED ON REVERSE
READ, FOLLOW, AND SAVE ALL SAFETY AND INSTALLATION INSTRUCTIONS**

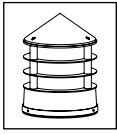


TEKA ILLUMINATION

40429 Brickyard Drive • Madera, CA 93636 • USA
559.438.5800 • FAX 559.438.5900
www.tekaillumination.com • info@tekaillumination.com

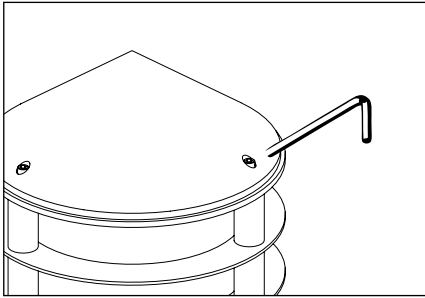
DATE
11-27-17

REFERENCE NUMBER
INS-2688-00

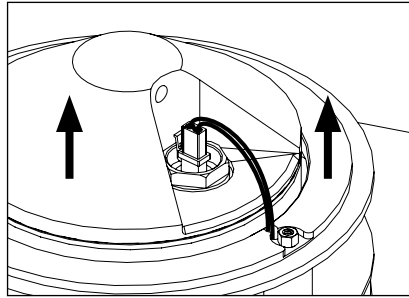


BKSS
SOLID STATE LIGHTING

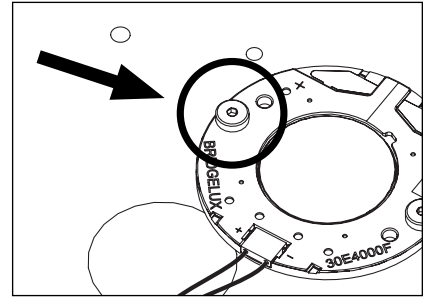
LARGE TOWER PILLAR™ (LTL)



1. Loosen three (3) captive #10-24 screws on cap with 1/8" Allen wrench.

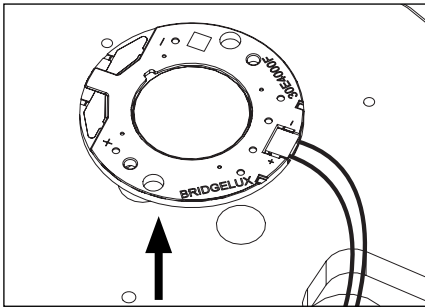


2. Detach heatsink from fixture body via quick disconnect.



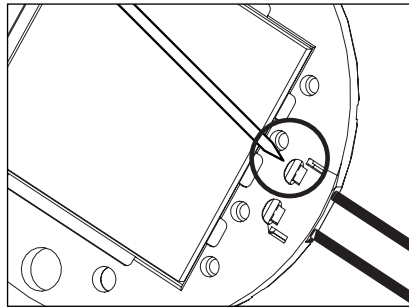
3. Loosen, then remove two (2) #4-40 screws from LED module using .050" Allen wrench.

⚠ **Do not pull on connector or wiring. Handle with care.**



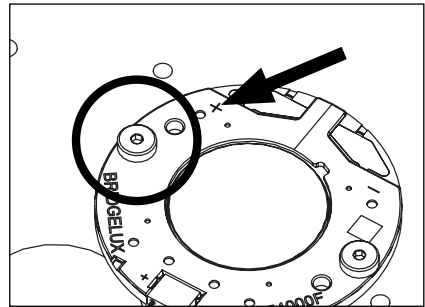
4. Carefully remove LED module from heatsink.

⚠ **Do not pull on connector or wiring. Handle with care.**

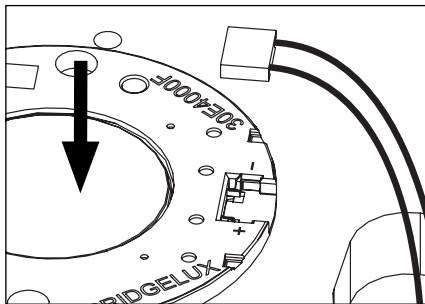


5. Use small pick tool to push connector off LED board through two small slots behind connector. Once loose, lift connector upwards and off board.

⚠ **Fragile! Do not pull on connector or wiring. Handle with care.**

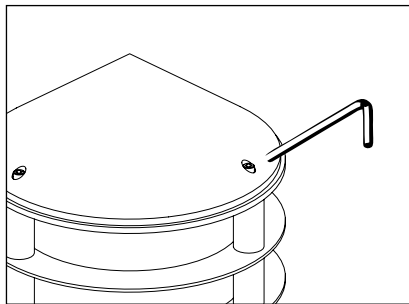


6. Spread thin, even layer of thermal paste on back of new LED module. Place new LED module onto heatsink, lining up module with holes for screws. Tighten two (2) #4-40 screws using .050" Allen wrench to secure LED module to heatsink.



7. Press connector straight downwards into slot on module to snap into place.

⚠ **Connector will only fit in one direction.**



8. Attach heatsink to fixture body via quick disconnect. Line up on spacers.

9. Attach cap with securing three (3) #10-24 screws using 1/8" Allen wrench.

**IMPORTANT SAFETY INFORMATION LISTED ON REVERSE
READ, FOLLOW, AND SAVE ALL SAFETY AND INSTALLATION INSTRUCTIONS**



TEKA ILLUMINATION

40429 Brickyard Drive • Madera, CA 93636 • USA
559.438.5800 • FAX 559.438.5900
www.tekaillumination.com • info@tekaillumination.com

DATE
11-27-17

REFERENCE NUMBER
INS-2688-00