

LARGE TOWER POLE MOUNT™ (LTP)



Warning



Hot Surface



Wear Gloves



High Voltage

NEEDED FOR INSTALLATION:

- 5/64", 5/32", 1/8", 1/16" & 3/16" Allen Wrench
- Waterproof Wire Connectors
- Gloves

By Others

IMPORTANT SAFETY INFORMATION - READ, FOLLOW, AND SAVE THESE INSTALLATION INSTRUCTIONS



IMPORTANT - WEAR GLOVES TO AVOID GETTING FINGERPRINTS ON THIS PRODUCT. MANY TEKA ILLUMINATION PRODUCTS ARE DESIGNED TO NATURALLY PATINA. OILS FROM YOUR SKIN WILL ACCELERATE THIS PROCESS WHERE TOUCHED AND ARE NEARLY IMPOSSIBLE TO REMOVE. THIS PROCESS OCCURS OVER TIME AND IS DETERMINED BY THE INSTALLATION ENVIRONMENT.

INSTRUCTIONS PERTAINING TO A RISK OF FIRE, OR INJURY TO PERSONS IMPORTANT SAFETY INSTRUCTIONS

Lighted fixture is HOT!

WARNING - To reduce the risk of FIRE OR INJURY TO PERSONS:

Turn off/unplug and allow to cool before replacing LED. Fixture gets HOT quickly! Contact only switch/plug when turning on. Do not touch hot lens, guard, or enclosure. Keep fixture away from materials that may burn. Do not operate the luminaire fitting with a missing or damaged shield. Do not touch the source at any time. Use a soft cloth or gloves. Oil from skin may cause damage.

SAVE THESE INSTRUCTIONS

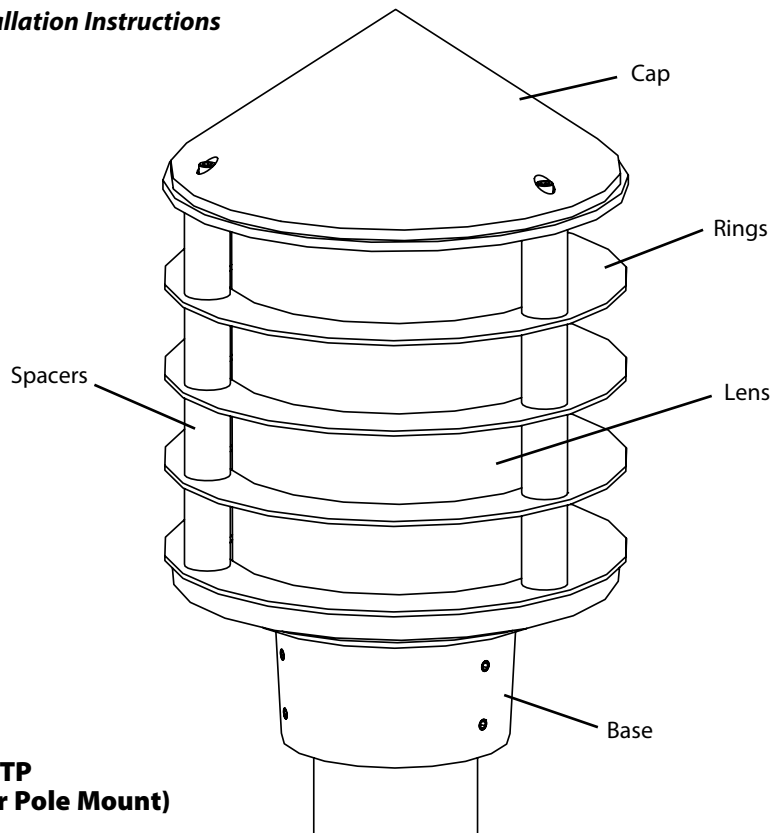
IMPORTANT SAFETY INFORMATION - READ, FOLLOW, AND SAVE ALL SAFETY AND INSTALLATION INSTRUCTIONS

- Product must be installed by a qualified person in a manner consistent with its intended use and in compliance with the National Electrical Code, Canadian Electrical Code, and all Local and Provincial Codes.
- Follow product label information and instructions.
- Qualified Personnel with appropriate personal protective equipment must perform all servicing of this product.
- Before wiring to power supply and during servicing, turn off and lock out power at fuse or circuit breaker before service.
- The use of accessory equipment not recommended by the manufacturer or installed contrary to instructions may cause an unsafe condition. The use of damaged components may cause an unsafe condition and void product warranty.
- Do not block light emanating from product in whole or part, as this may cause an unsafe condition.
- Never operate the fixture with missing or damaged lens. Lens must be cleaned on regular basis.
- Entire fixture may become extremely hot. Do not touch hot lens or fixture body.
- Replace LED assembly only with correct wattage and type of power supply appropriate for LED assembly.
- All gaskets, o-rings and sealing surfaces must be kept clean during installation and service; failure to do this may cause an unsafe condition and void product warranty.

IMPORTANT LISTINGS AND CERTIFICATIONS

- Suitable for wet locations

Pole Top Installation Instructions



3-1/2" O.D. Pole or Pole with 3-1/2" O.D Tenon (Specify Separately) (Pole By Others)

**Solid State LTP
(Large Tower Pole Mount)**

IMPORTANT SAFETY INFORMATION - READ, FOLLOW, AND SAVE THESE INSTALLATION INSTRUCTIONS

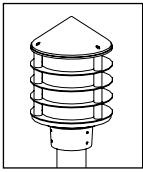
TEKA ILLUMINATION

40429 Brickyard Drive • Madera, CA 93636 • USA
559.438.5800 • FAX 559.438.5900
www.tekaillumination.com • info@tekaillumination.com

DATE
4-17-18

REFERENCE NUMBER
INS-2678-00

THIS DOCUMENT CONTAINS PROPRIETARY INFORMATION OF TEKA ILLUMINATION AND ITS RECEIPT OR POSSESSION DOES NOT CONVEY ANY RIGHTS TO REPRODUCE, DISCLOSE ITS CONTENTS, OR TO MANUFACTURE, USE OR SELL ANYTHING IT MAY DESCRIBE. REPRODUCTION, DISCLOSURE OR USE WITHOUT SPECIFIC WRITTEN AUTHORIZATION OF TEKA ILLUMINATION IS STRICTLY FORBIDDEN.



THE POWER OF



LARGE TOWER POLE MOUNT™ (LTP)

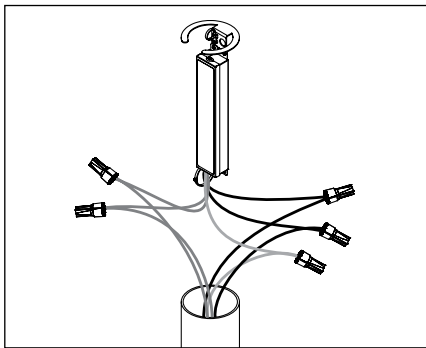
Pole Top Installation Instructions

Phase 1 - Install Pole

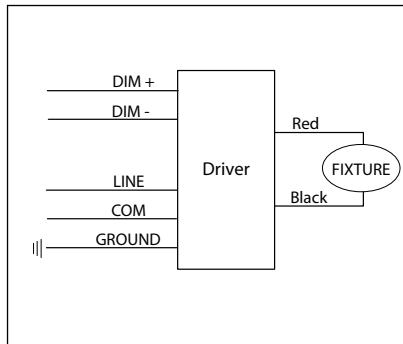
1. Install 3-1/2" O.D. pole (By Others) or pole with 3-1/2" O.D. tenon (By Others, Specify Separately) according to lighting plan and manufacturer's installation instructions. Install conduit (By Others) to be used with this product.
2. Pull primary branch circuit wiring necessary for installation (By Others). Pull incoming dimming controls necessary for installation. (By Others).

⚠ Leave sufficient wire length in the pole for future service.

Phase 2 - Fixture Installation (Pole Top Option)

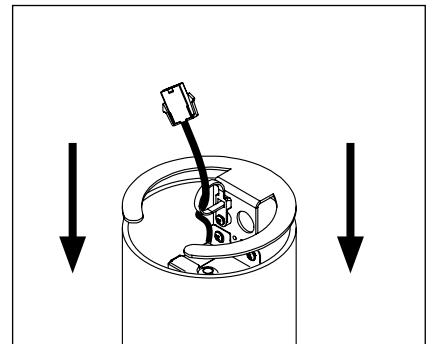


1. Pull primary branch circuit wiring up to driver bracket location at top of pole. Pull incoming dimming controls to top of pole. Feed through strain relief.

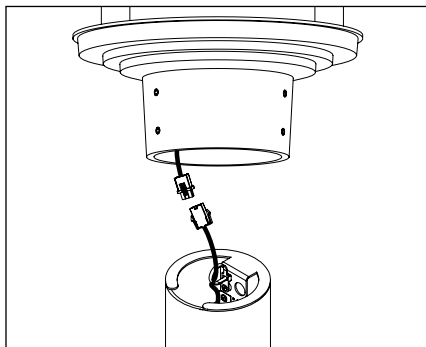


WIRING DIAGRAM

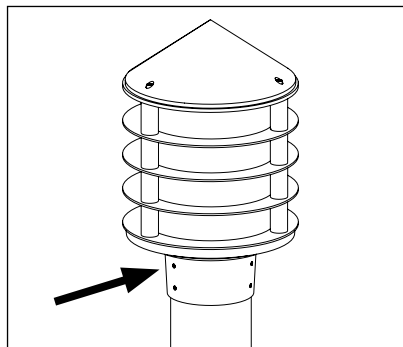
2. Make watertight connections from primary branch circuit to driver leads using waterproof wire connectors (By Others). Connect green ground wire to ground wiring from driver. Connect incoming dimming controls to driver primary side dimming controls. Secondary side is connected via quick disconnect. **See wiring diagram.**



3. Place connections and driver on bracket into pole. Rest bracket on pole top or tenon.



4. Make secondary connections via quick disconnect from driver secondary side to fixture secondary side.



5. Slide fixture over pole top. Secure with six (6) 1/4-20 socket head set screws using 1/8" Allen wrench. Make sure the fixture is completely seated. Do not overtighten.

**IMPORTANT SAFETY INFORMATION LISTED ON REVERSE
READ, FOLLOW, AND SAVE ALL SAFETY AND INSTALLATION INSTRUCTIONS**

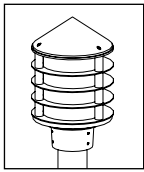


TEKA ILLUMINATION

40429 Brickyard Drive • Madera, CA 93636 • USA
559.438.5800 • FAX 559.438.5900
www.tekaillumination.com • info@tekaillumination.com

DATE
4-17-18

REFERENCE NUMBER
INS-2678-00



LARGE TOWER POLE MOUNT™ (LTP)



Warning



Hot Surface



Wear Gloves



High Voltage

NEEDED FOR INSTALLATION:

- 5/64", 5/32", 1/8", 1/16" & 3/16" Allen Wrench
- Waterproof Wire Connectors
- Gloves
- Adjustable Crescent Wrench

By Others

IMPORTANT SAFETY INFORMATION - READ, FOLLOW, AND SAVE THESE INSTALLATION INSTRUCTIONS



IMPORTANT - WEAR GLOVES TO AVOID GETTING FINGERPRINTS ON THIS PRODUCT. MANY TEKA ILLUMINATION PRODUCTS ARE DESIGNED TO NATURALLY PATINA. OILS FROM YOUR SKIN WILL ACCELERATE THIS PROCESS WHERE TOUCHED AND ARE NEARLY IMPOSSIBLE TO REMOVE. THIS PROCESS OCCURS OVER TIME AND IS DETERMINED BY THE INSTALLATION ENVIRONMENT.

INSTRUCTIONS PERTAINING TO A RISK OF FIRE, OR INJURY TO PERSONS IMPORTANT SAFETY INSTRUCTIONS

Lighted fixture is HOT!

WARNING - To reduce the risk of FIRE OR INJURY TO PERSONS:

Turn off/unplug and allow to cool before replacing LED. Fixture gets HOT quickly! Contact only switch/plug when turning on. Do not touch hot lens, guard, or enclosure. Keep fixture away from materials that may burn. Do not operate the luminaire fitting with a missing or damaged shield. Do not touch the source at any time. Use a soft cloth or gloves. Oil from skin may cause damage.

SAVE THESE INSTRUCTIONS

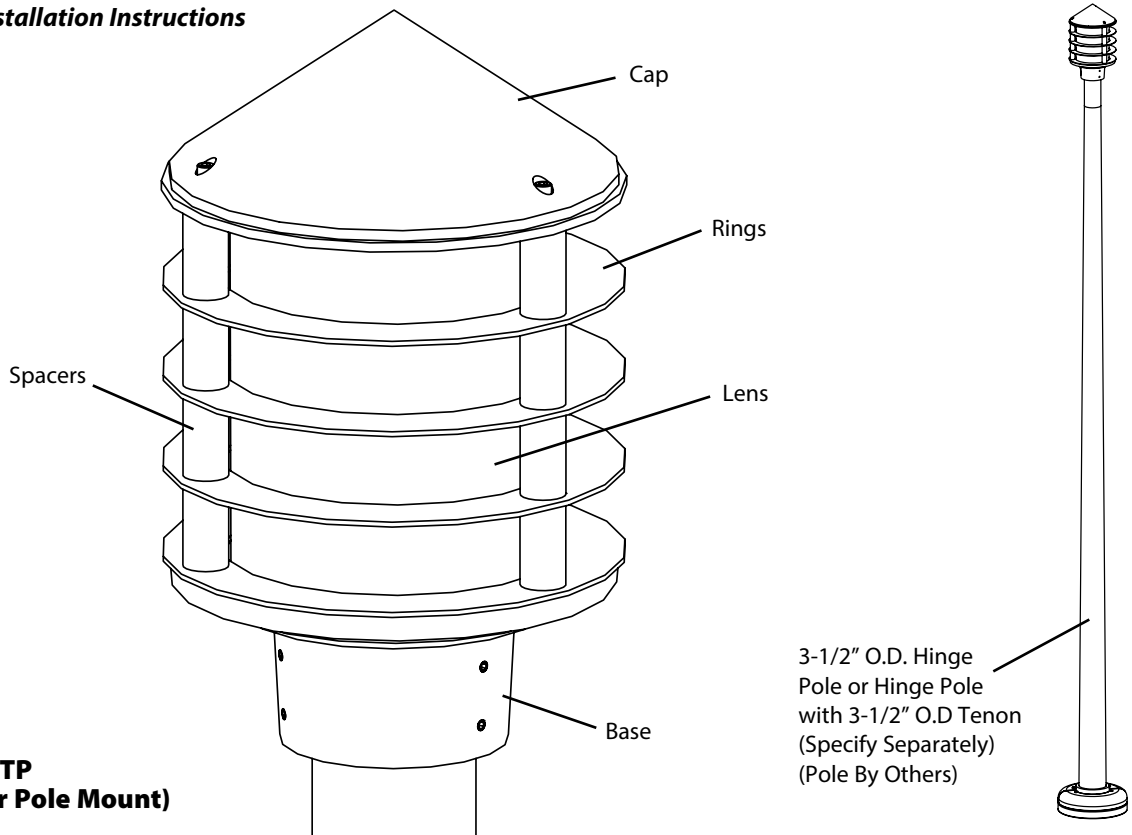
IMPORTANT SAFETY INFORMATION - READ, FOLLOW, AND SAVE ALL SAFETY AND INSTALLATION INSTRUCTIONS

- Product must be installed by a qualified person in a manner consistent with its intended use and in compliance with the National Electrical Code, Canadian Electrical Code, and all Local and Provincial Codes.
- Follow product label information and instructions.
- Qualified Personnel with appropriate personal protective equipment must perform all servicing of this product.
- Before wiring to power supply and during servicing, turn off and lock out power at fuse or circuit breaker before service.
- The use of accessory equipment not recommended by the manufacturer or installed contrary to instructions may cause an unsafe condition. The use of damaged components may cause an unsafe condition and void product warranty.
- Do not block light emanating from product in whole or part, as this may cause an unsafe condition.
- Never operate the fixture with missing or damaged lens. Lens must be cleaned on regular basis.
- Entire fixture may become extremely hot. Do not touch hot lens or fixture body.
- Replace LED assembly only with correct wattage and type of power supply appropriate for LED assembly.
- All gaskets, o-rings and sealing surfaces must be kept clean during installation and service; failure to do this may cause an unsafe condition and void product warranty.

IMPORTANT LISTINGS AND CERTIFICATIONS

- Suitable for wet locations

Hinge Base Installation Instructions



**Solid State LTP
(Large Tower Pole Mount)**

3-1/2" O.D. Hinge Pole or Hinge Pole with 3-1/2" O.D Tenon (Specify Separately) (Pole By Others)

IMPORTANT SAFETY INFORMATION - READ, FOLLOW, AND SAVE THESE INSTALLATION INSTRUCTIONS

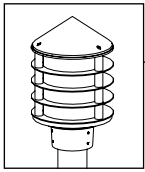
TEKA ILLUMINATION

40429 Brickyard Drive • Madera, CA 93636 • USA
559.438.5800 • FAX 559.438.5900
www.tekaillumination.com • info@tekaillumination.com

DATE
4-17-18

REFERENCE NUMBER
INS-2678-01

THIS DOCUMENT CONTAINS PROPRIETARY INFORMATION OF TEKA ILLUMINATION AND ITS RECEIPT OR POSSESSION DOES NOT CONVEY ANY RIGHTS TO REPRODUCE, DISCLOSE ITS CONTENTS, OR TO MANUFACTURE, USE OR SELL ANYTHING IT MAY DESCRIBE. REPRODUCTION, DISCLOSURE OR USE WITHOUT SPECIFIC WRITTEN AUTHORIZATION OF TEKA ILLUMINATION IS STRICTLY FORBIDDEN.



LARGE TOWER POLE MOUNT™ (LTP)

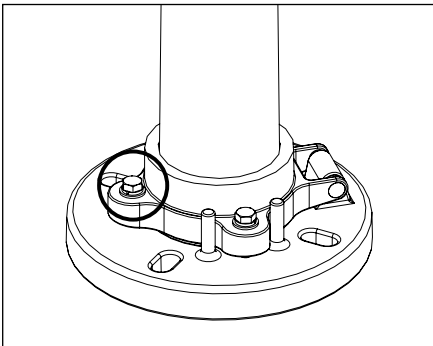
Hinge Base Installation Instructions

Phase 1 - Install Pole

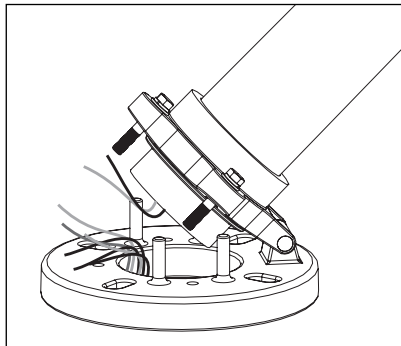
1. Install 3-1/2" O.D. pole (By Others) or pole with 3-1/2" O.D. tenon (By Others, Specify Separately) according to lighting plan and manufacturer's installation instructions. Install conduit (By Others) to be used with this product.
2. Pull primary branch circuit wiring necessary for installation (By Others). Pull incoming dimming controls necessary for installation. (By Others).

⚠ Leave sufficient wire length in the pole for future service.

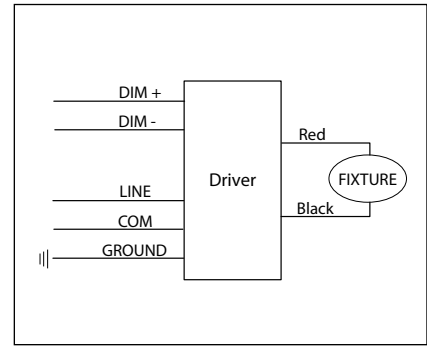
Phase 2 - Fixture Installation (Pole Top Option)



1. Remove base cover (if required). Open hinge base on pole by loosening three (3) 1/2"-13 stainless steel bolts using adjustable crescent wrench.

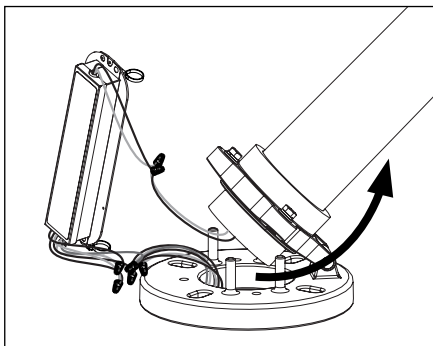


2. Hinge pole open for access to conduit and branch circuit wiring. Pull branch circuit wiring and dimming controls to splice location.

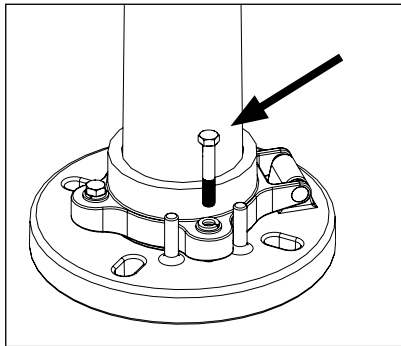


WIRING DIAGRAM

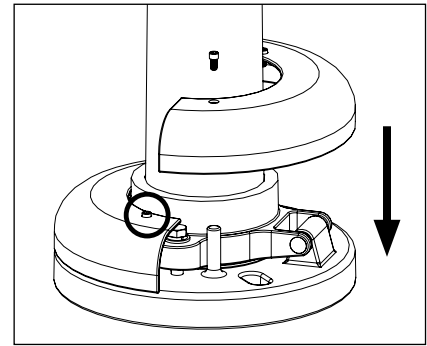
3. Make watertight connections from primary branch circuit to driver leads using waterproof wire connectors (By Others). Connect green ground wire to ground wiring from driver. Connect incoming dimming controls to driver primary side dimming controls. Connect secondary side of driver to wiring for fixture leads. **See wiring diagram.**



4. Place driver, bracket and connections into pole. Hinge pole back to upright position. Connect secondary wiring to secondary side of driver. Pull secondary wiring to top of pole. Length of secondary wiring will vary with height of pole. Leave length for future service.



5. Close hinge pole, then secure to base with three (3) 1/2" I.D. flat washers, split lock washers and three (3) 1/2"-13 stainless steel bolts using an adjustable crescent wrench.



6. If pole comes with cover, place cover on base of pole. Secure with four (4) 1/4"-20 hex screws using 3/16" Allen wrench.

**IMPORTANT SAFETY INFORMATION LISTED ON REVERSE
READ, FOLLOW, AND SAVE ALL SAFETY AND INSTALLATION INSTRUCTIONS**

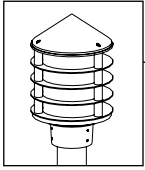


TEKA ILLUMINATION

40429 Brickyard Drive • Madera, CA 93636 • USA
559.438.5800 • FAX 559.438.5900
www.tekailumination.com • info@tekailumination.com

DATE
4-17-18

REFERENCE NUMBER
INS-2678-01

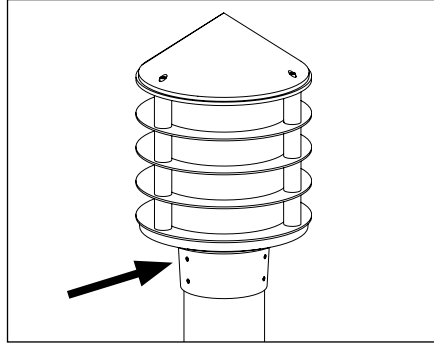
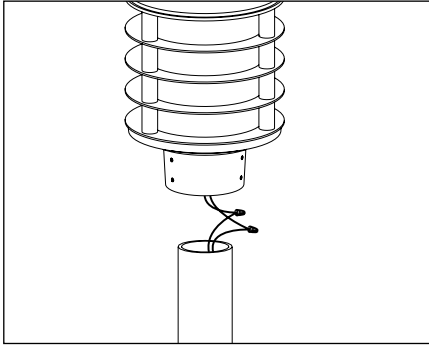


BK55L
SOLID STATE LIGHTING



LARGE TOWER POLE MOUNT™ (LTP)

Hinge Base Installation Instructions



7. Make watertight connections using waterproof wire connectors to connect fixture leads to secondary leads from driver. Leave length for future service. **See wiring diagram.**
8. Secure with six (6) 1/4-20 socket head set screws using 1/8" Allen wrench. Make sure the fixture is completely seated. Do not overtighten.

**IMPORTANT SAFETY INFORMATION LISTED ON REVERSE
READ, FOLLOW, AND SAVE ALL SAFETY AND INSTALLATION INSTRUCTIONS**

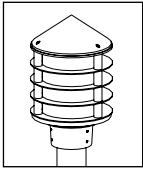


TEKA ILLUMINATION

40429 Brickyard Drive • Madera, CA 93636 • USA
559.438.5800 • FAX 559.438.5900
www.tekailumination.com • info@tekailumination.com

DATE
4-17-18

REFERENCE NUMBER
INS-2678-01



LARGE TOWER POLE MOUNT™ (LTP)



Warning



Hot Surface



Wear Gloves



High Voltage

NEEDED FOR INSTALLATION:

- 5/32", 1/8", 3/32", 1/16" & 3/16" Allen Wrench
- Waterproof Wire Connectors
- Gloves

By Others

IMPORTANT SAFETY INFORMATION - READ, FOLLOW, AND SAVE THESE INSTALLATION INSTRUCTIONS



IMPORTANT - WEAR GLOVES TO AVOID GETTING FINGERPRINTS ON THIS PRODUCT. MANY TEKA ILLUMINATION PRODUCTS ARE DESIGNED TO NATURALLY PATINA. OILS FROM YOUR SKIN WILL ACCELERATE THIS PROCESS WHERE TOUCHED AND ARE NEARLY IMPOSSIBLE TO REMOVE. THIS PROCESS OCCURS OVER TIME AND IS DETERMINED BY THE INSTALLATION ENVIRONMENT.

INSTRUCTIONS PERTAINING TO A RISK OF FIRE, OR INJURY TO PERSONS IMPORTANT SAFETY INSTRUCTIONS

Lighted fixture is HOT!

WARNING - To reduce the risk of FIRE OR INJURY TO PERSONS:

Turn off/unplug and allow to cool before replacing LED. Fixture gets HOT quickly! Contact only switch/plug when turning on. Do not touch hot lens, guard, or enclosure. Keep fixture away from materials that may burn. Do not operate the luminaire fitting with a missing or damaged shield. Do not touch the source at any time. Use a soft cloth or gloves. Oil from skin may cause damage.

SAVE THESE INSTRUCTIONS

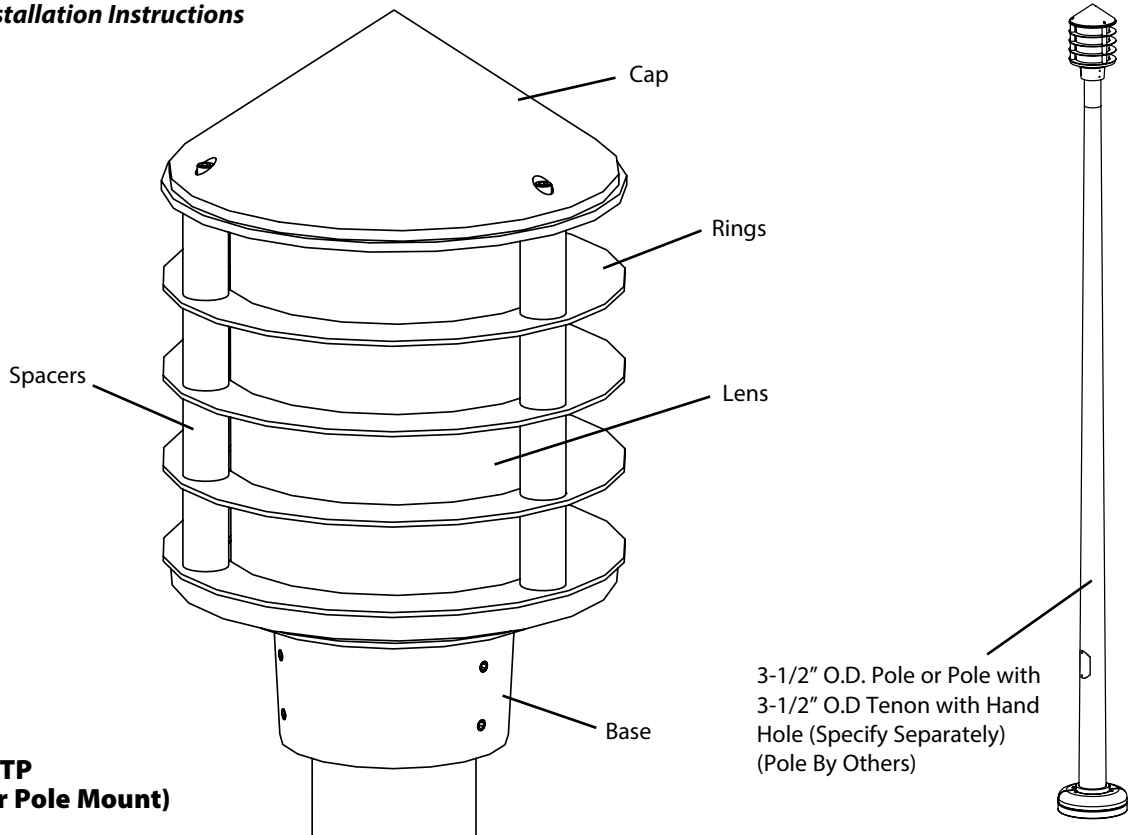
IMPORTANT SAFETY INFORMATION - READ, FOLLOW, AND SAVE ALL SAFETY AND INSTALLATION INSTRUCTIONS

- Product must be installed by a qualified person in a manner consistent with its intended use and in compliance with the National Electrical Code, Canadian Electrical Code, and all Local and Provincial Codes.
- Follow product label information and instructions.
- Qualified Personnel with appropriate personal protective equipment must perform all servicing of this product.
- Before wiring to power supply and during servicing, turn off and lock out power at fuse or circuit breaker before service.
- The use of accessory equipment not recommended by the manufacturer or installed contrary to instructions may cause an unsafe condition. The use of damaged components may cause an unsafe condition and void product warranty.
- Do not block light emanating from product in whole or part, as this may cause an unsafe condition.
- Never operate the fixture with missing or damaged lens. Lens must be cleaned on regular basis.
- Entire fixture may become extremely hot. Do not touch hot lens or fixture body.
- Replace LED assembly only with correct wattage and type of power supply appropriate for LED assembly.
- All gaskets, o-rings and sealing surfaces must be kept clean during installation and service; failure to do this may cause an unsafe condition and void product warranty.

IMPORTANT LISTINGS AND CERTIFICATIONS

- Suitable for wet locations

Hand Hole Installation Instructions



**Solid State LTP
(Large Tower Pole Mount)**

IMPORTANT SAFETY INFORMATION - READ, FOLLOW, AND SAVE THESE INSTALLATION INSTRUCTIONS

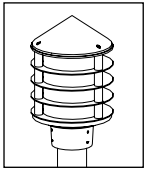
TEKA ILLUMINATION

40429 Brickyard Drive • Madera, CA 93636 • USA
559.438.5800 • FAX 559.438.5900
www.tekaillumination.com • info@tekaillumination.com

DATE
4-17-18

REFERENCE NUMBER
INS-2678-02

THIS DOCUMENT CONTAINS PROPRIETARY INFORMATION OF TEKA ILLUMINATION AND ITS RECEIPT OR POSSESSION DOES NOT CONVEY ANY RIGHTS TO REPRODUCE, DISCLOSE ITS CONTENTS, OR TO MANUFACTURE, USE OR SELL ANYTHING IT MAY DESCRIBE. REPRODUCTION, DISCLOSURE OR USE WITHOUT SPECIFIC WRITTEN AUTHORIZATION OF TEKA ILLUMINATION IS STRICTLY FORBIDDEN.



THE POWER OF



LARGE TOWER POLE MOUNT™ (LTP)

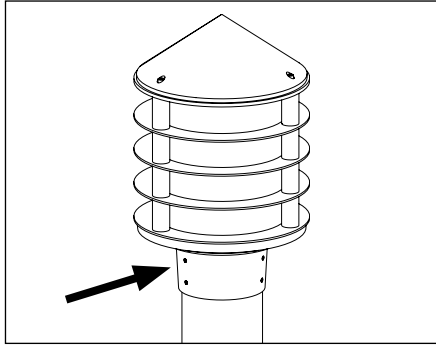
Hand Hole Installation Instructions

Phase 1 - Install Pole

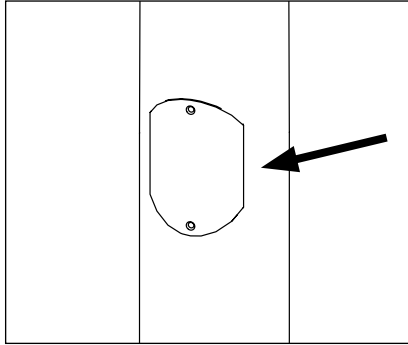
1. Install pole (By Others) with 3"x5" min. hand hole according to lighting plan and manufacturer's installation instructions. Install conduit (By Others) to be used with this product.
2. Pull wiring necessary for installation (By Others.)

⚠ **Leave sufficient wire length in the pole for future service.**

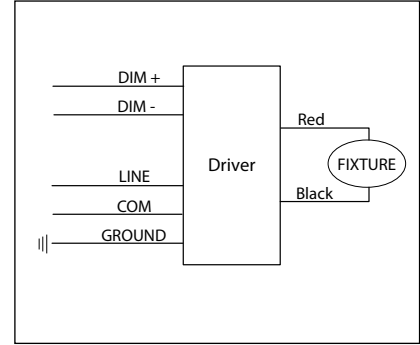
Phase 2 - Fixture Installation (Hand Hole Option)



1. Connect secondary wiring (By Others) from fixture leads to splice location at hand hole. Length will vary by pole length. See wiring diagram. Thread secondary leads down pole to splice location at hand hole.
2. Slide fixture over pole top. Secure with six (6) 1/4-20 socket head set screws using 1/8" Allen wrench. Make sure the fixture is completely seated. Do not overtighten.

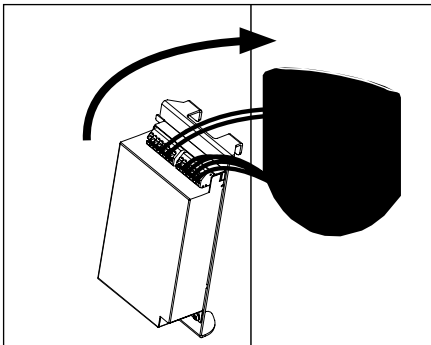


3. Open hand hole as per pole manufacturer's instructions, then pull primary branch circuit wiring through conduit to splice location and pull down fixture leads from installed pole top.

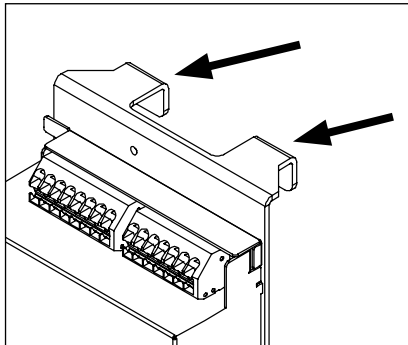


WIRING DIAGRAM

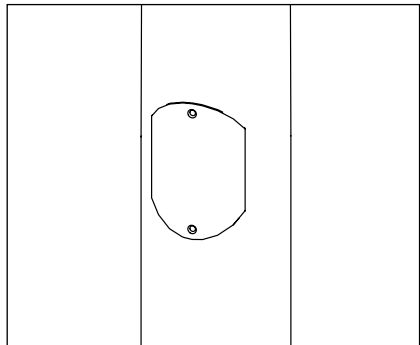
4. Make watertight connections from primary branch circuit to driver leads using waterproof wire connectors (By Others). Connect green ground wire to ground wiring from driver. Connect incoming dimming controls to driver primary side dimming controls. Connect secondary side of driver to secondary fixture leads. **See wiring diagram.**



5. Place connections and driver on bracket into pole through hand hole. (For use with 3"x5" hand hole).



6. Driver bracket should hang off small horizontal interior bar inside pole near hand hole. Use two hooks on bracket to hang on interior bar.



7. Close hand hole cover with hardware and tools as per pole manufacturer. (Pole and Hardware By Others)

**IMPORTANT SAFETY INFORMATION LISTED ON REVERSE
READ, FOLLOW, AND SAVE ALL SAFETY AND INSTALLATION INSTRUCTIONS**

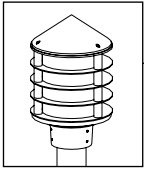


TEKA ILLUMINATION

40429 Brickyard Drive • Madera, CA 93636 • USA
559.438.5800 • FAX 559.438.5900
www.tekaillumination.com • info@tekaillumination.com

DATE
4-17-18

REFERENCE NUMBER
INS-2678-02



THE POWER OF
BK55L
SOLID STATE LIGHTING



LARGE TOWER POLE MOUNT™ (LTP)

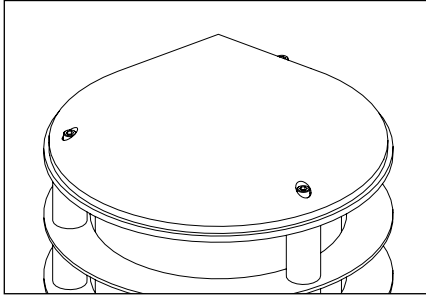
LED Replacement Installation Instructions

NEEDED
FOR
INSTALLATION:

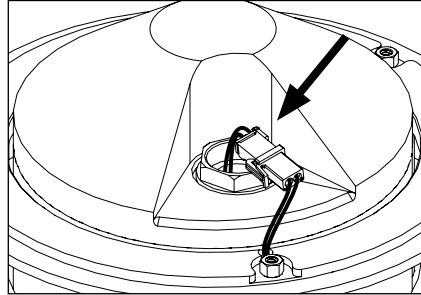
- 5/32", 3/32" & 1/16" Allen Wrench
- Waterproof Wire Connectors
- Gloves

By Others

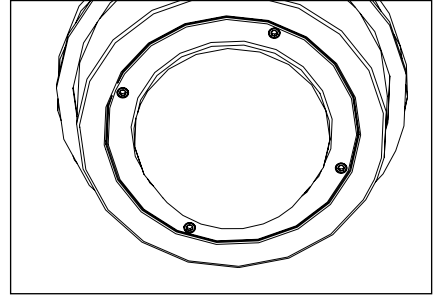
Replacing Optic and LED Module



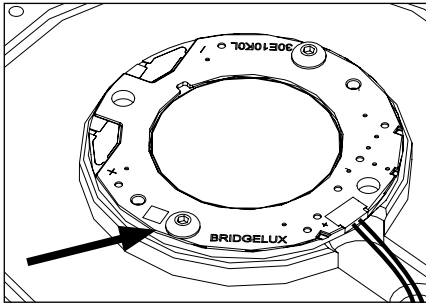
1. Loosen three (3) captive #10-24 socket head screws on cap with 5/32" Allen wrench.



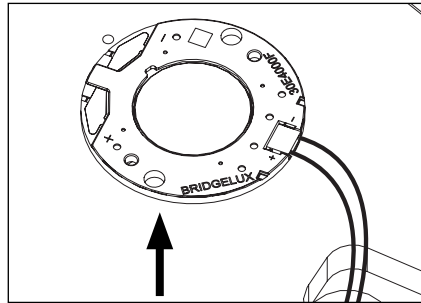
2. Disconnect quick disconnects at top of heatsink.



3. Loosen four (4) #4-40 socket head set screws on side of dome lens optic holder using 3/32" Allen wrench. Gently remove dome lens.

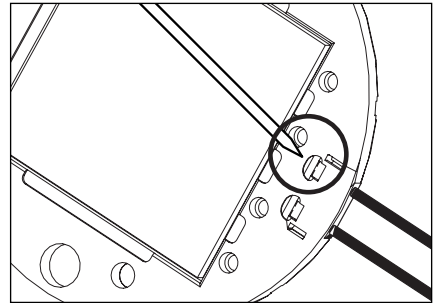


4. Loosen two (2) #4-40 button head screws with 1/16" Allen wrench.



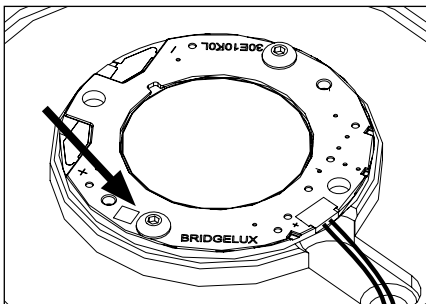
5. Carefully remove LED module from heatsink.

⚠ Do not pull on connector or wiring. Handle with care.



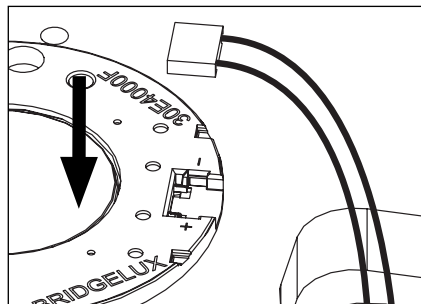
6. Use small pick tool to push connector off LED board through two small slots behind connector. Once loose, lift connector upwards and off board.

⚠ Fragile! Do not pull on connector or wiring. Handle with care.



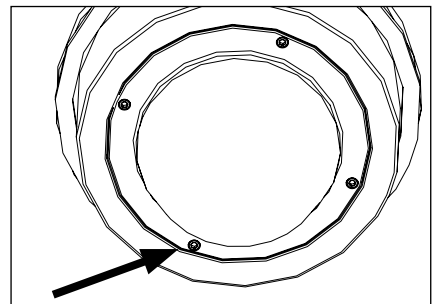
7. Spread thin, even layer of thermal paste on back of new LED module.

Place new LED module onto heatsink, lining up module with holes for screws. Tighten two (2) #4-40 button head screws using 1/16" Allen wrench to secure LED module to heatsink.



8. Press connector straight downwards into slot on module to snap into place.

⚠ Connector will only fit in one direction.



9. Place dome lens onto heatsink. Tighten four (4) #4-40 socket head set screws on side of dome lens optic holder using 3/32" Allen wrench.

**IMPORTANT SAFETY INFORMATION LISTED ON REVERSE
READ, FOLLOW, AND SAVE ALL SAFETY AND INSTALLATION INSTRUCTIONS**

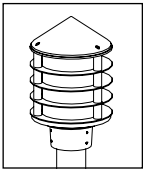


TEKA ILLUMINATION

40429 Brickyard Drive • Madera, CA 93636 • USA
559.438.5800 • FAX 559.438.5900
www.tekailumination.com • info@tekailumination.com

DATE
4-17-18

REFERENCE NUMBER
INS-2678-03



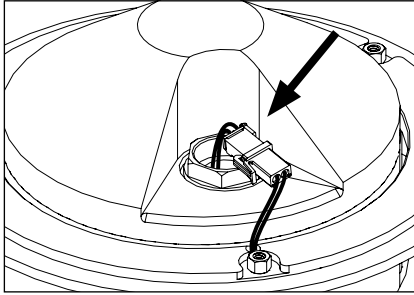
BKSSL
SOLID STATE LIGHTING

THE POWER OF

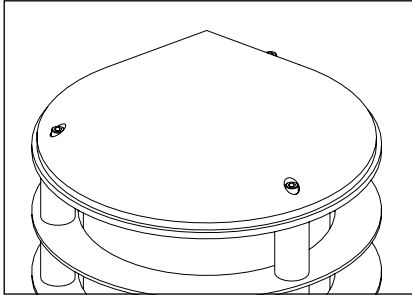


LARGE TOWER POLE MOUNT™ (LTP)

LED Replacement Installation Instructions



10. Attach heatsink to fixture body via quick disconnect. Line up on spacers.



11. Attach cap with securing three (3) #10-24 socket head screws using 5/32" Allen wrench.

**IMPORTANT SAFETY INFORMATION LISTED ON REVERSE
READ, FOLLOW, AND SAVE ALL SAFETY AND INSTALLATION INSTRUCTIONS**



TEKA ILLUMINATION

40429 Brickyard Drive • Madera, CA 93636 • USA
559.438.5800 • FAX 559.438.5900
www.tekaillumination.com • info@tekaillumination.com

DATE
4-17-18

REFERENCE NUMBER
INS-2678-03