

BKSSL
SOLID STATE LIGHTING

the power of **adjust-e-lume**
TECHNOLOGY

REGATTA PATH LIGHT (RGP)



Warning



Low Voltage



Hot Surface



Wear Gloves

NEEDED FOR INSTALLATION:

5/64" & 5/32" Allen Wrench

Waterproof Wire Connectors

Gloves

By Others

IMPORTANT SAFETY INFORMATION - READ, FOLLOW, AND SAVE THESE INSTALLATION INSTRUCTIONS



IMPORTANT - WEAR GLOVES TO AVOID GETTING FINGERPRINTS ON THIS PRODUCT. MANY TEKA ILLUMINATION PRODUCTS ARE DESIGNED TO NATURALLY PATINA. OILS FROM YOUR SKIN WILL ACCELERATE THIS PROCESS WHERE TOUCHED AND ARE NEARLY IMPOSSIBLE TO REMOVE. THIS PROCESS OCCURS OVER TIME AND IS DETERMINED BY THE INSTALLATION ENVIRONMENT.

INSTRUCTIONS PERTAINING TO A RISK OF FIRE, OR INJURY TO PERSONS IMPORTANT SAFETY INSTRUCTIONS

Lighted fixture is HOT!

WARNING - To reduce the risk of FIRE OR INJURY TO PERSONS:

Turn off/unplug and allow to cool before replacing LED. Fixture gets HOT quickly! Contact only switch/plug when turning on. Do not touch hot lens, guard, or enclosure. Keep fixture away from materials that may burn. Do not operate the luminaire fitting with a missing or damaged shield. Do not touch the source at any time. Use a soft cloth or gloves. Oil from skin may cause damage.

SAVE THESE INSTRUCTIONS

IMPORTANT SAFETY INFORMATION - READ, FOLLOW, AND SAVE ALL SAFETY AND INSTALLATION INSTRUCTIONS

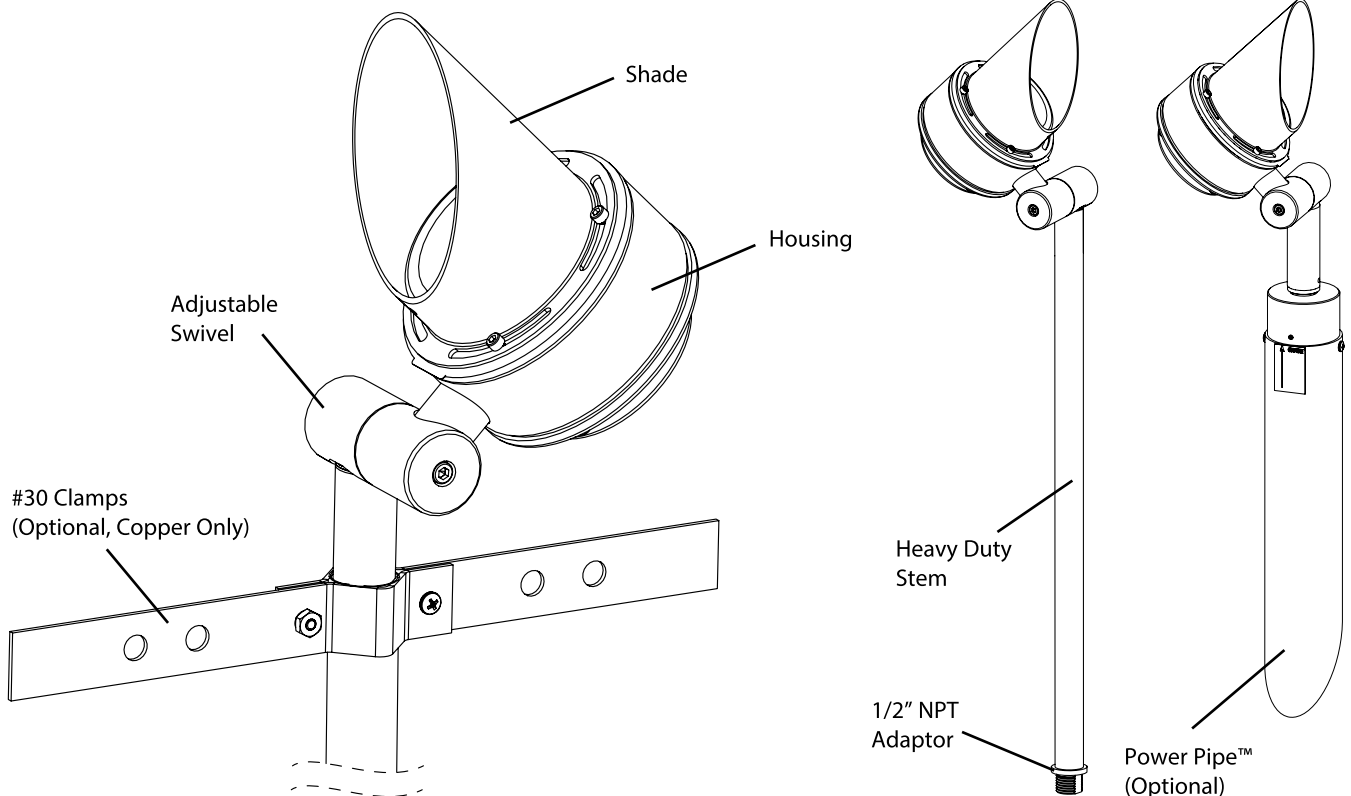
- Product must be installed by a qualified person in a manner consistent with its intended use and in compliance with the National Electrical Code, Canadian Electrical Code, and all Local and Provincial Codes.
- Follow product label information and instructions.
- Qualified Personnel with appropriate personal protective equipment must perform all servicing of this product.
- Before wiring to power supply and during servicing, turn off and lock out power at fuse or circuit breaker before service.
- The use of accessory equipment not recommended by the manufacturer or installed contrary to instructions may cause an unsafe condition. The use of damaged components may cause an unsafe condition and void product warranty.

- Do not block light emanating from product in whole or part, as this may cause an unsafe condition.
- Never operate the fixture with missing or damaged lens. Lens must be cleaned on regular basis.
- Entire fixture may become extremely hot. Do not touch hot lens or fixture body.
- Replace LED assembly only with correct wattage and type of power supply appropriate for LED assembly.
- All gaskets, o-rings and sealing surfaces must be kept clean during installation and service; failure to do this may cause an unsafe condition and void product warranty.

IMPORTANT LISTINGS AND CERTIFICATIONS

- Suitable for wet locations

Please refer to the low voltage design guide at www.tekaiillumination.com/lvguide before installation for proper wire selection.



IMPORTANT SAFETY INFORMATION - READ, FOLLOW, AND SAVE THESE INSTALLATION INSTRUCTIONS

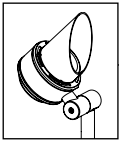
TEKA ILLUMINATION

40429 Brickyard Drive • Madera, CA 93636 • USA
559.438.5800 • FAX 559.438.5900
www.tekaiillumination.com • info@tekaiillumination.com

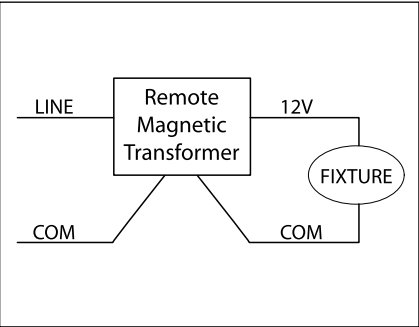
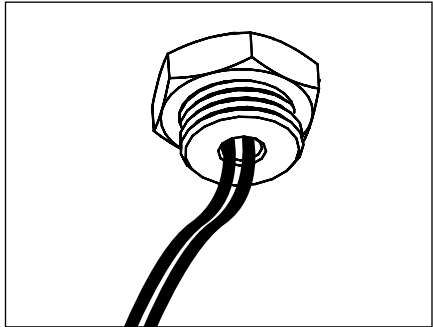
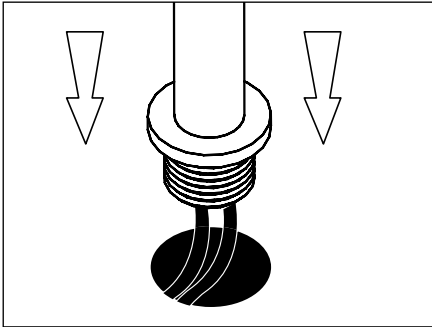
DATE
8-28-17

REFERENCE NUMBER
INS-2617-00

THIS DOCUMENT CONTAINS PROPRIETARY INFORMATION OF TEKA ILLUMINATION AND ITS RECEIPT OR POSSESSION DOES NOT CONVEY ANY RIGHTS TO REPRODUCE, DISCLOSE ITS CONTENTS, OR TO MANUFACTURE, USE OR SELL ANYTHING IT MAY DESCRIBE. REPRODUCTION, DISCLOSURE OR USE WITHOUT SPECIFIC WRITTEN AUTHORIZATION OF TEKA ILLUMINATION IS STRICTLY FORBIDDEN.



 **Must install to suitable enclosure**





1. Mount stem onto suitable enclosure and/or mounting option according to designed lighting plan.

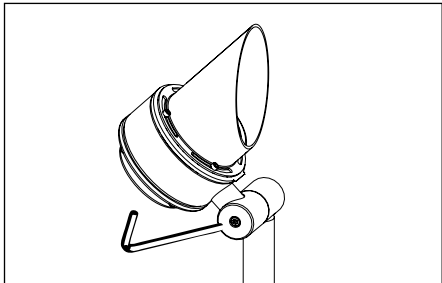
2. Secure stem with locknut (Provided).

3. Make watertight connections from remote magnetic transformer to fixture leads using waterproof wire connectors (By Others). **See wiring diagram.**

WIRING DIAGRAM

 **LED - For use with 12VAC  remote transformer or magnetic transformers only. TEKA Illumination cannot guarantee performance with third party manufacturers' transformers.**

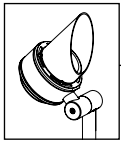
Aiming (If Required)



1. Use 5/32" Allen wrench to loosen #10-24 stainless steel socket head cap screw to adjust vertical aiming position. Tighten to secure desired aiming position.

**IMPORTANT SAFETY INFORMATION LISTED ON REVERSE
READ, FOLLOW, AND SAVE ALL SAFETY AND INSTALLATION INSTRUCTIONS**





BKSSL
SOLID STATE LIGHTING

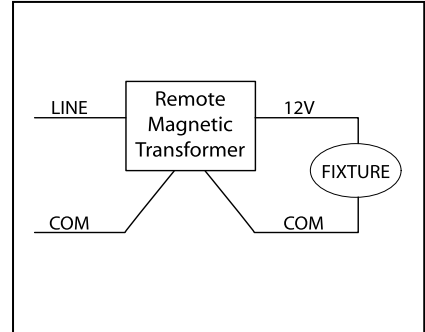
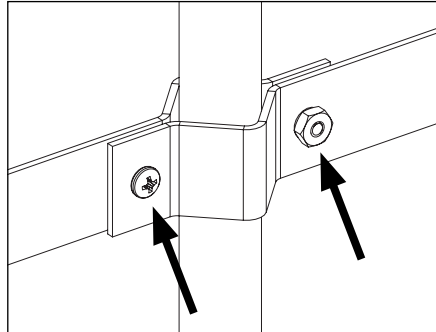
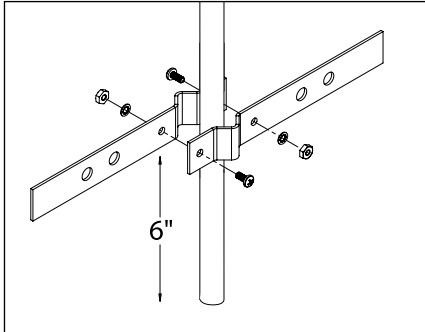
the power of
with adjust-e-lume®
TECHNOLOGY

REGATTA PATH LIGHT (RGP)

Installation Instructions - #30 Clamp-On Blades



Clamp-On Blades for Use With Copper Stem Fixtures ONLY



1. Excavate trench according to designed lighting plan. Dig hole a minimum of 12" wide to accommodate clamp on blades™ at desired fixture locations.

⚠ NOTE: Copper stem is suitable for direct burial in soil or concrete.

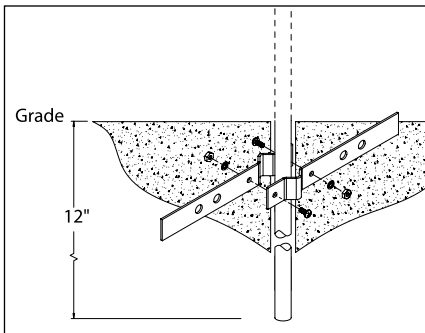
2. Clamp blades 6" from bottom of stem. Fixture stem length is 12" longer than specified.

3. Attach clamps to stem using provided two (2) #8-32 screws using Phillips screwdriver. Secure on back with provided locknuts as illustrated.

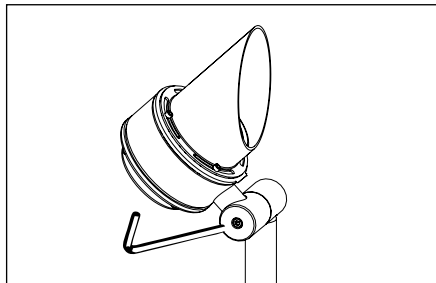
WIRING DIAGRAM

4. Make watertight connections from remote transformer to fixture leads using waterproof wire connectors (By Others). See wiring diagram.

⚠ LED - For use with 12VAC BKSSL remote transformer or magnetic transformers only. TEKA Illumination cannot guarantee performance with third party manufacturers' transformers.



Aiming (If Required)



5. Place stem in hole at proper height.
6. Back fill with pea gravel or sand prior to pour.

⚠ NOTE: The stem is 12" longer than the specified stem length. 12" of stem should be below finished grade.

1. Use 5/32" Allen wrench to loosen #10-24 stainless steel socket head cap screw to adjust vertical aiming position. Tighten to secure desired aiming position.

**IMPORTANT SAFETY INFORMATION LISTED ON REVERSE
READ, FOLLOW, AND SAVE ALL SAFETY AND INSTALLATION INSTRUCTIONS**

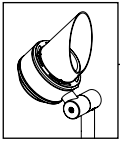


TEKA ILLUMINATION

40429 Brickyard Drive • Madera, CA 93636 • USA
559.438.5800 • FAX 559.438.5900
www.tekaillumination.com • info@tekaillumination.com

DATE
8-28-17

REFERENCE NUMBER
INS-2617-00



IK LIGHTING

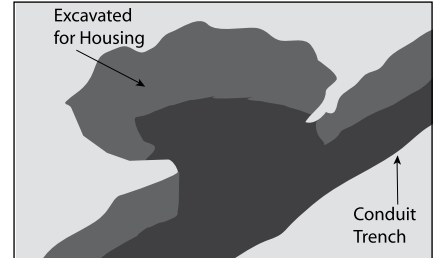
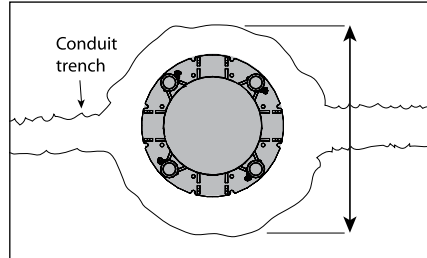
the power of
with adjust-e-lume®
TECHNOLOGY

REGATTA PATH LIGHT (RGP)

Installation Instructions - Power Pipe™ System

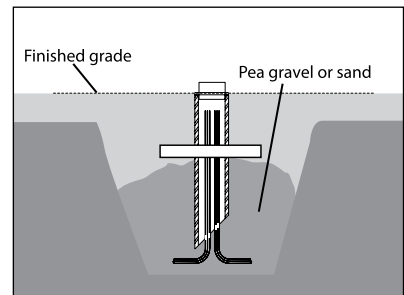
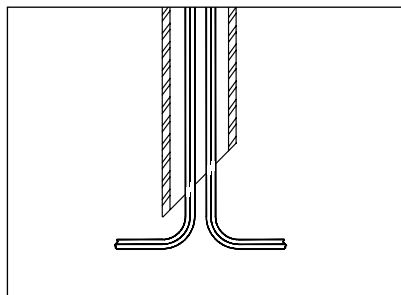
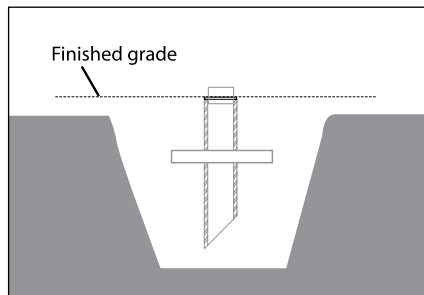
TRANSFORMER HOUSING MUST BE INSTALLED ABOVE GRADE. POWER PIPE™ IS LABELED AT GRADE LEVEL. TRANSFORMER HOUSING INSTALLED BELOW GRADE WILL VOID WARRANTY

Soil Prep



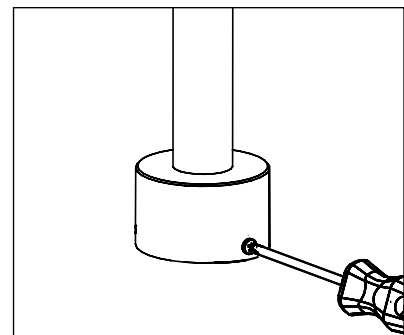
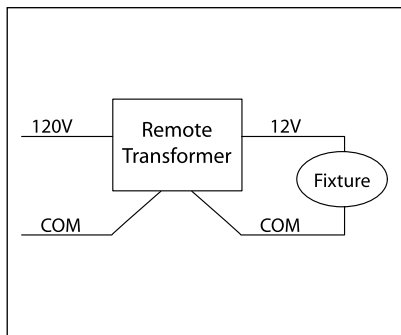
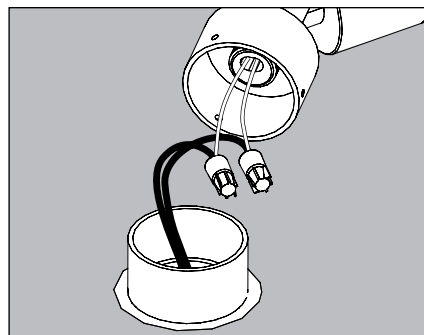
- A. Determine Soil Type by referencing DIG-IT Guide. Prep soil according to DIG-IT Guide.
- B. Dig hole 10" wide and 24" deep.
- C. Prep soil according to DIG-IT Guide.

INSTALLATION OF POWER PIPE™ STAKE



- 1. Excavate trench according to designed lighting plan. Dig hole a minimum of 24" deep and 10" wide to accommodate Power Pipe™ at desired fixture locations. **Do not cut PVC.**
- 2. Route the necessary UL approved under ground branch circuit or low voltage wiring to Power Pipe™ necessary for appropriate installation. Leave enough length to make connections to fixture leads.
- 3. Back fill hole with soil and/or prep for concrete.
- 4. Pull branch circuit or low voltage wiring necessary for appropriate installation (By Others).

STAKE WITH "B" CAP:



- 1. Make watertight connections from remote 12V transformer to fixture leads using waterproof wire connectors. (By Others)
- 2. Attach B cap to Power Pipe™ with (3) #8-32 round head Phillips stainless steel screws at base to secure to Power Pipe™ with Phillips screwdriver.

**IMPORTANT SAFETY INFORMATION LISTED ON REVERSE
READ, FOLLOW, AND SAVE ALL SAFETY AND INSTALLATION INSTRUCTIONS**

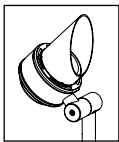


TEKA ILLUMINATION

40429 Brickyard Drive • Madera, CA 93636 • USA
559.438.5800 • FAX 559.438.5900
www.tekaillumination.com • info@tekaillumination.com

DATE
8-28-17

REFERENCE NUMBER
INS-2617-00



BISSSL
SOLID STATE LIGHTING

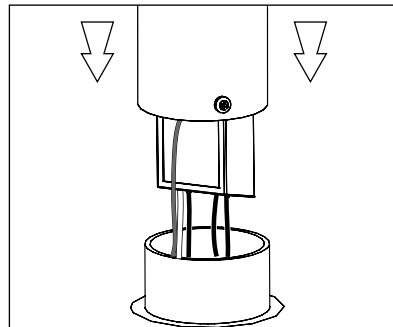
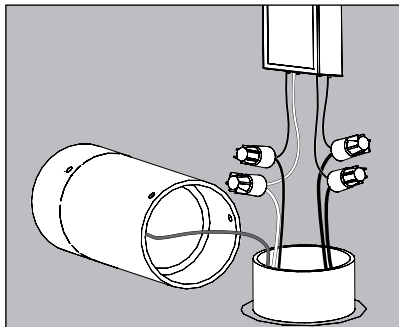
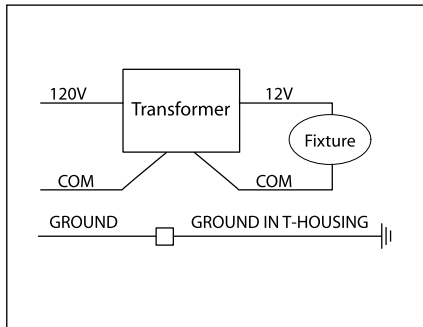
the power of
with adjust-e-lume®
TECHNOLOGY

REGATTA PATH LIGHT (RGP)

Installation Instructions - Power Pipe™ System

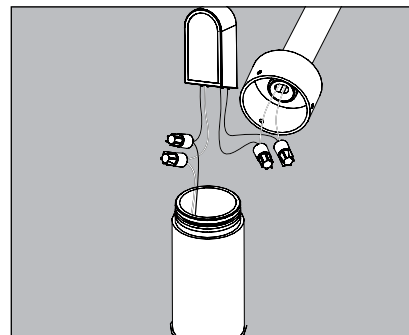
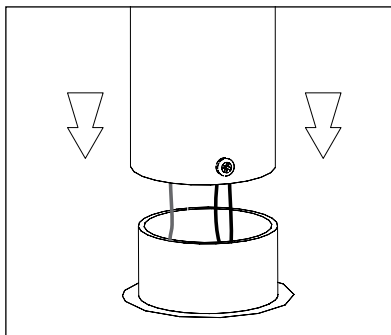
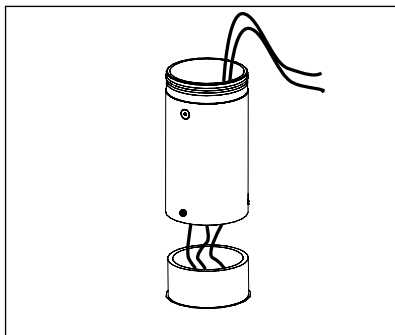
TRANSFORMER HOUSING MUST BE INSTALLED ABOVE GRADE. POWER PIPE™ IS LABELED AT GRADE LEVEL. TRANSFORMER HOUSING INSTALLED BELOW GRADE WILL VOID WARRANTY

STAKE WITH INTEGRAL TRANSFORMER T-HOUSING WITH "C" CAP:

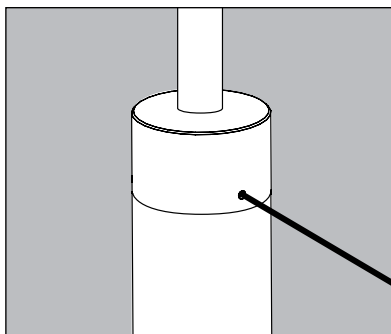
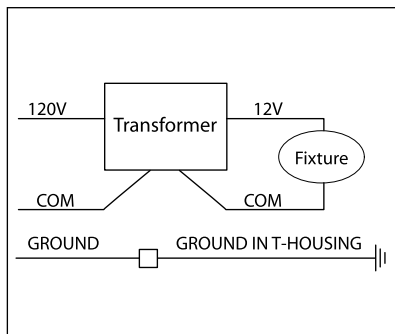


1. Make watertight connections from primary branch circuit to primary side of transformer using waterproof wire connectors. (By Others). Attach secondary leads from transformer to low voltage cable using waterproof wire connectors. (By Others).
2. Attach ground from branch circuit to screw in transformer T-housing. Place transformer and connectors into T-housing.
3. Attach C cap and transformer T-housing to Power Pipe™ with (3) #8-32 round head Phillips stainless steel screws at base of housing to secure to Power Pipe™ with Phillips screwdriver.

STAKE WITH INTEGRAL TRANSFORMER AND "B" CAP:



1. Pull primary branch circuit through transformer T-housing. Attach ground from branch circuit to screw in transformer T-housing.
2. Attach transformer T-housing to Power Pipe™ with (3) #8-32 round head Phillips stainless steel screws at base of housing to secure to Power Pipe™ with Phillips screwdriver.
3. Make watertight connections from primary branch circuit to primary side of transformer using waterproof wire connectors. (By Others). Attach secondary leads from transformer to fixture leads using waterproof wire connectors. (By Others). **See wiring diagram.**



WIRING DIAGRAM

4. Place transformer and connectors into T-housing. Attach B cap to T-housing with (3) #8-32 stainless steel set screws using 5/64" Allen wrench.

**IMPORTANT SAFETY INFORMATION LISTED ON REVERSE
READ, FOLLOW, AND SAVE ALL SAFETY AND INSTALLATION INSTRUCTIONS**

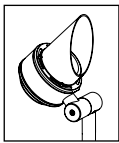


TEKA ILLUMINATION

40429 Brickyard Drive • Madera, CA 93636 • USA
559.438.5800 • FAX 559.438.5900
www.tekaillumination.com • info@tekaillumination.com

DATE
8-28-17

REFERENCE NUMBER
INS-2617-00



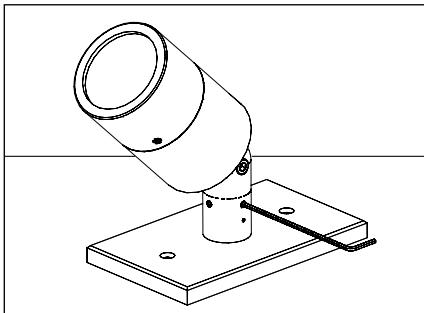
BKSSL
BROAD BEAM LIGHTING

the power of
with **adjust-e-lume®**
TECHNOLOGY

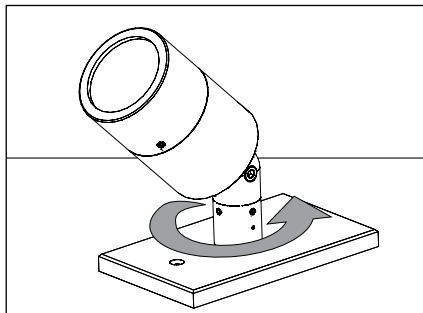
REGATTA PATH LIGHT (RGP)

Installation Instructions - LED Replacement

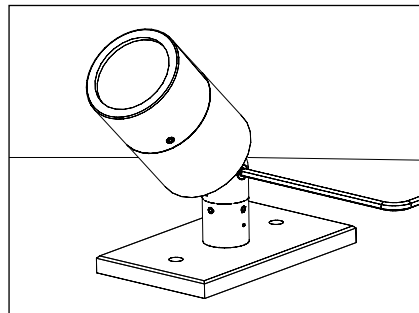
Optional 360SL™ Knuckle



1. Use 5/64" Allen wrench to slightly loosen two (2) #8-32 stainless steel set screws on the stem for 360° aiming purpose.



2. Rotate fixture at base and aim fixture to desired horizontal location.



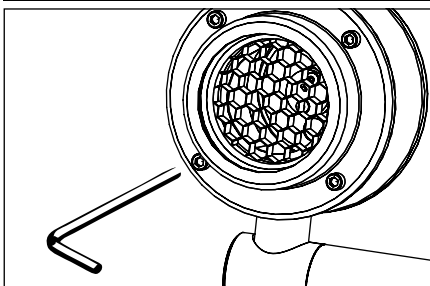
3. Use 5/32" Allen wrench to loosen #10-32 stainless steel black oxide socket head cap screw at the knuckle for vertical aiming purpose.

4. Tighten two (2) #8-32 stainless steel set screws on stem to secure horizontal aiming position.

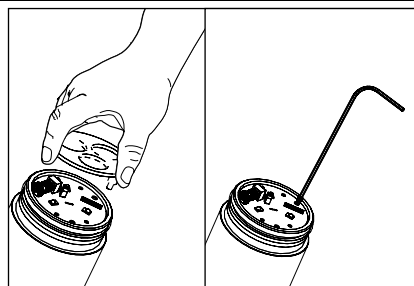
Tighten #10-32 stainless steel black oxide socket head cap screw to 15 in-lbs minimum to 30 in-lbs maximum to secure vertical aiming position.

Warning: Do not over tighten set screw. Doing so will compromise O-ring seal and will void warranty.

Re-Placing LED Board/Driver and Optics

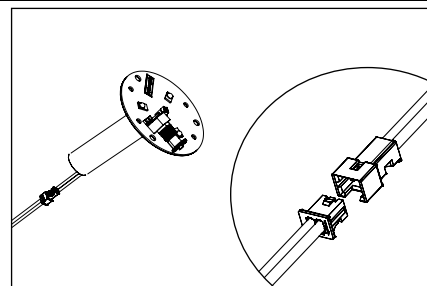


1. Use 5/64" Allen wrench to loosen (4) #8-32 stainless steel socket head screws to remove lens bezel.

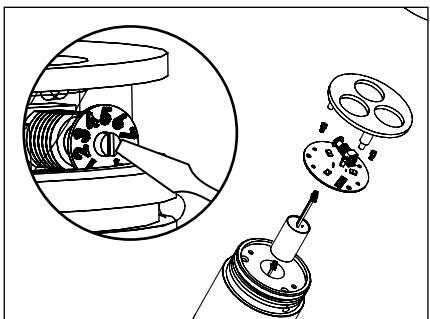


2. Space three fingers evenly around the optic and gently rock optic to remove.

3. Use 5/64" Allen wrench to remove two (2) #2-56 socket head cap screws on LED board, grasp LED board and gently pull up to expose quick disconnect.

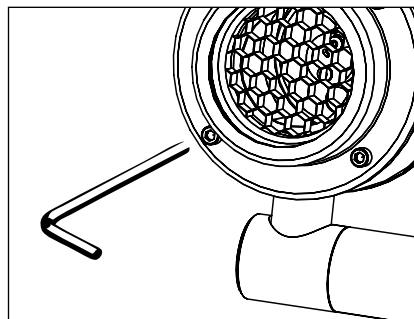


4. Disengage LED board and driver assembly. Replace with new board and driver assembly.



5. With small flat head screw driver rotate Adjust-e-Lume® dial to desired lumen output.

6. Reverse install LED board and driver.



7. Re-install lens bezel. Tighten evenly.

**IMPORTANT SAFETY INFORMATION LISTED ON REVERSE
READ, FOLLOW, AND SAVE ALL SAFETY AND INSTALLATION INSTRUCTIONS**



TEKA ILLUMINATION

40429 Brickyard Drive • Madera, CA 93636 • USA
559.438.5800 • FAX 559.438.5900
www.tekaillumination.com • info@tekaillumination.com

DATE
8-28-17

REFERENCE NUMBER
INS-2617-00