

DATE: _____ PROJECT: _____ TYPE: _____

CATALOG NUMBER LOGIC:



**Stainless rings are provided in Natural (NAT) finish regardless of finish choice.*

***Eliminates glow in upper window. Material and finish to match fixture.*

****Material and finish to match fixture*

*****For straight pole applications. For use with 3-1/2" OD pole tenon. Compatible with TEKA Illumination SR5.*

*****For hinge base pole applications. Compatible with TEKA Illumination TR5.*

******For straight pole applications with 3"x5" hand hole. Compatible with TEKA Illumination SR5.*

******Standard dimming 1-100%. For use with 0-10 dimming.*

CATALOG NUMBER LOGIC

Example: BPM - SD24 - LED - x84 - BW - SAP - A - DT - HB - D23 - MT

MATERIAL

(Blank) - Aluminum C - Copper

SERIES

BPM - Beacon Pole Mount

STYLE

SD12 - 12" Shade

SD15 - 15" Shade

SD24 - 24" Shade

SOURCE

LED - Chip on Board Technology

LED TYPE

x83 - 23W LED/2700K x84 - 23W LED/3000K x85 - 23W LED/4000K

OPTICS

BW - Batwing

FINISH (See page 2 for full-color swatches)

Standard Finishes (BZP, BZW, BLP, BLW, WHP, WHW, SAP, VER)

Premium Finish (ABP, AMG, AQW, BCM, BGE, BPP, CAP, CMG, CRM, HUG, NBP, OCP, RMG, SDS, SMG, TXF, WCP, WIR)

Also available in RAL Finishes

Copper Finishes (NAT, BP, GP, POL)

RINGS

A - Aluminum

B - Brass

S - Stainless Steel*

ACCESSORIES (select one)

DT - Dark Top Shield**

HS - House Side Shield***

MSH - Mesh Screen***

DRIVER MOUNTING (pole sold separately)

PT - Pole Top Mount****

HB - Hinge Based Driver Mounting*****

HH - Hand Hole Driver Mounting*****

DRIVER TYPE (driver wattage must match fixture wattage)

D23 - 23W Dimming Driver*****

INPUT VOLTAGE

MT - 120-277 Multi Tap

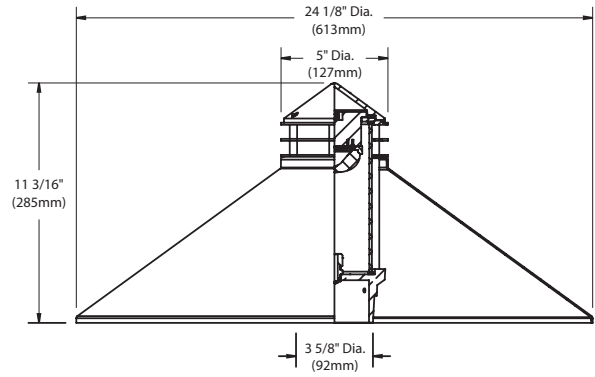
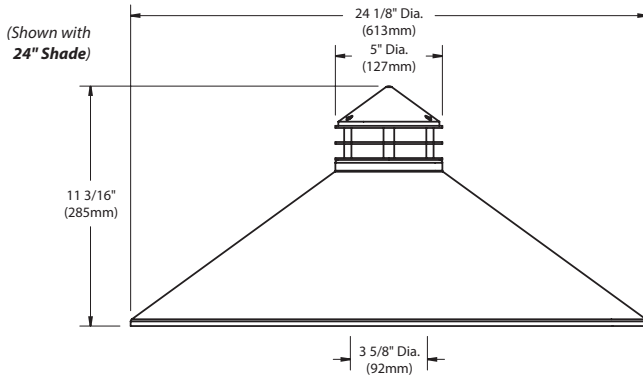
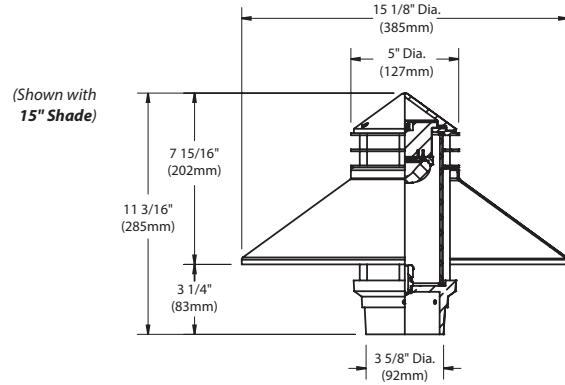
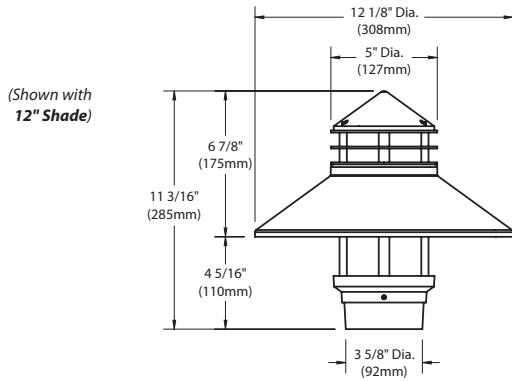
OPTION

CLR - Clear Coat Protection (Available on NAT finish only)

DATE:

PROJECT:

TYPE:

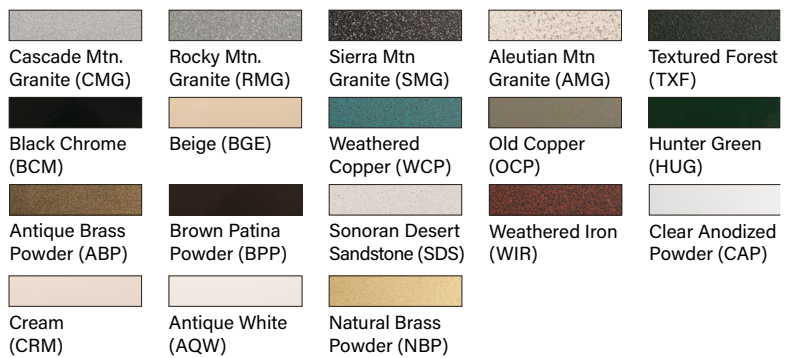


All dimensions indicated on this submittal are nominal.

STANDARD FINISHES



PREMIUM FINISHES



[Click Here](#) to view larger, full-color swatches of all available finishes on our website.

DATE:	PROJECT:	TYPE:
-------	----------	-------

ACCESSORIES (Configure separately)

SPECIFICATIONS

ELECTRICAL	WATTAGE	23W LED
	COLOR MANAGEMENT	Chip on board technology delivers natural white light. Exact color point conformity exceeds ANSI C78.377 standard. Module exceeds 80 CRI (RA>80, R9.16). Color point uniformity 2 SDCM color control for 2700K-4000K CCT.
	LED	Integrated solid state system with 'X' technology is scalable for field upgrade. Modular design with electrical quick disconnects permit field maintenance. Minimum 50,000 hour rated life at 70% of initial lumens (L70). BKSSL technology provides long life, significant energy reduction and exceptional thermal management.
	WIRING	Tefzel™ coated stranded wire, 18GA, 600V, 150°C rated and certified to UL16 and certified to UL 1659 standard.
	DRIVER (23W)	[1] 700mA (D23), Class A, constant current driver. 120- 277VAC (nominal) primary input voltage. 50/60Hz. >0.90 Power Factor, 30mA ² S in-rush current, ≤20%THD (nominal at 120VAC full load). Output over-voltage, over-current, and short circuit protection with auto recovery. EMC: FCC47CFR Part 15 Class B compliant. Dimming driver for use with standard 0-10V dimmers and switch controls. 1-100% range (Refer to driver electrical data). D34 - 1-100% dimming range.
PHYSICAL	MATERIALS	Copper: Constructed from copper and brass. These enduring metals are inherently corrosion resistant. Aluminum: Constructed from Copper-free Aluminum (Type 6061-T6).
	BASE	Cast from solid bronze or copper free aluminum. Slip fits 3 1/2" OD TEKA post top.
	MESH SCREEN	Diffuses light in window. Not available with half shield. Finish to match fixture. Not available with Dark Top (DT).
	DARK TOP	Eliminates glow in window above shade.
	HOUSE SIDE SHIELD	Eliminates light from half of the fixture. Hand spun aluminum- 3003 or copper- C101.
	SHADE	Hand spun from 16GA aluminum 3003-H14 or copper C101. Specify 12", 15" or 24" diameter.
	OPTIC	Acrylic Batwing Optic.
	LENS	3.5" O.D. frosted acrylic lens.
	RING STACK	Solid aluminum with aluminum spacers; brass or stainless steel accent rings with solid brass spacers.
	HARDWARE	Tamper-resistant, stainless steel hardware.
	DRIVER INSTALLATION OPTIONS (PLEASE SPECIFY)	Pole Top: Driver suspended from fixture. Fits 3 1/2" OD maximum. Hinge Base: Located at base of pole. Stand alone driver tray. For use with PTR5. Hand Hole: Located at base of pole. Stand alone driver tray attaches to standard hand hole pole brackets per NEC. Hand hole must be 3"x 5".
	FINISH	Copper and Brass: Natural (NAT): Copper and brass components are sand blasted to expose the porous metal surface. Over time, and with exposure to the elements, the metals will naturally 'weather' resulting in a unique patina. Also available with hand-crafted metal finishes including brown patina (BP), green patina (GP), and polish (POL). Aluminum, Copper and brass components are also available in powder coat finishes. Optional ceramic clear coat protection (copper and brass components only) seals and protects underlying metals and protects against discoloration, fading, and wear. Highly impervious to chemicals, solvents, and graffiti. For use with natural (NAT) and polish (POL) finishes.



DATE:	PROJECT:	TYPE:
-------	----------	-------

SPECIFICATIONS

PHYSICAL	FINISH	Aluminum: StarGuard®, our exclusive RoHs compliant, 15 stage chromate-free process cleans and conversion coats aluminum components prior to application of Class 'A' TGIC polyester powder coating.
	WARRANTY	5 year limited warranty.
	LISTINGS	UL tested to IESNA LM-79. UL Listed. Certified to CAN/CSA/ANSI Standards. RoHs compliant. Suitable for indoor or outdoor use. Suitable for use in wet locations. Additionally suitable for installation within 4' of the ground. IP66 Rated. Made in USA.



LAMP & DRIVER DATA

DATE: _____ PROJECT: _____ TYPE: _____

DRIVER DATA

Type	AC Input Range	Frequency Hz	Power Factor at Full Load (Efficiency)	THD	InRush Current	Operating Current	Operation Ambient Temperature	Dimmer Type	Dimmer Range
D23	120-277VAC	50/60 VAC	>.90	≤20%	30mA ² s@277V	700mA	(-30°C - 50°C)	0-10V	1-100%

LM79 DATA

LM70 DATA

TEKA LED #	LUMENS (Delivered)	CCT	INPUT WATTS (Typ.)	CRI (Typ.)	Minimum Rated Life (hrs.) - 70% of initial lumens (L70)
x83	1725	2700	23	80	50,000
x84	1889	3000	23	80	50,000
x85	1913	4000	23	80	50,000

TEKA ILLUMINATION

MADE IN THE USA

559.438.5800 | INFO@TEKAILLUMINATION.COM | TEKAILLUMINATION.COM

THIS DOCUMENT CONTAINS PROPRIETARY INFORMATION OF TEKA ILLUMINATION AND ITS RECEIPT OR POSSESSION DOES NOT CONVEY ANY RIGHTS TO REPRODUCE, DISCLOSE ITS CONTENTS, OR TO MANUFACTURE, USE OR SELL ANYTHING IT MAY DESCRIBE. REPRODUCTION, DISCLOSURE OR USE WITHOUT SPECIFIC WRITTEN AUTHORIZATION OF TEKA ILLUMINATION IS STRICTLY FORBIDDEN.

BEACON POLE MOUNT (BPM) - HORIZONTAL FOOTCANDLES

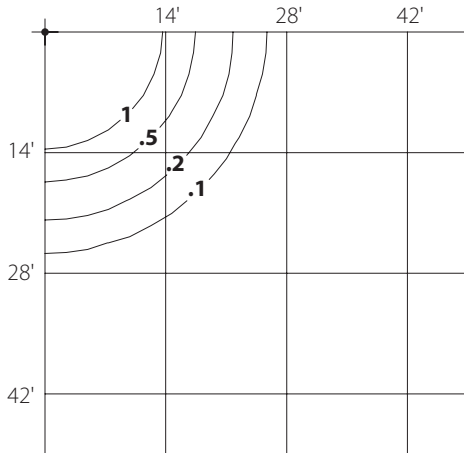
DATE:

PROJECT:

TYPE:

BPM - LED - x85 (23W) - 4000K

Mounting Height = 12 Ft, Style = SD12

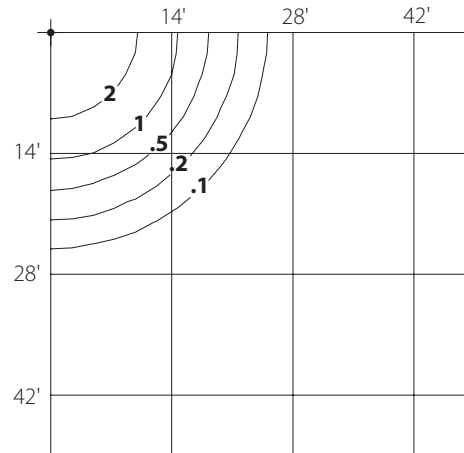


HORIZONTAL FOOTCANDLES

Light Loss Factor = 1.00
 Luminaire Lumens = 1757
 Maximum Calculated Value = 2.03 Fc
 2.7K Multiplier = .9
 3K Multiplier = .99
 BUG Rating = B1 U2 G1

BPM - LED - x85 (23W) - 4000K

Mounting Height = 12 Ft, Style = SD15

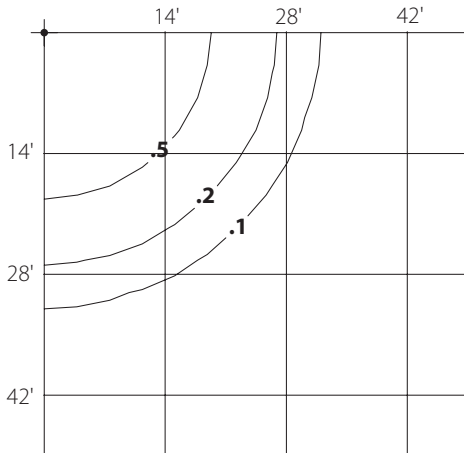


HORIZONTAL FOOTCANDLES

Light Loss Factor = 1.00
 Luminaire Lumens = 1913
 Maximum Calculated Value = 2.34 Fc
 2.7K Multiplier = .9
 3K Multiplier = .99
 BUG Rating = B1 U2 G1

BPM - LED - x85 (23W) - 4000K

Mounting Height = 18 Ft, Style = SD12

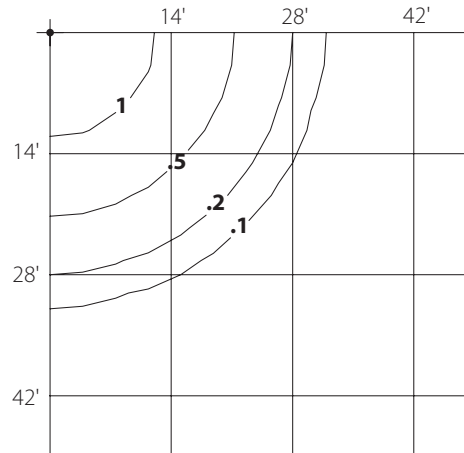


HORIZONTAL FOOTCANDLES

Light Loss Factor = 1.00
 Luminaire Lumens = 1757
 Maximum Calculated Value = 0.90 Fc
 2.7K Multiplier = .9
 3K Multiplier = .99
 BUG Rating = B1 U2 G1

BPM - LED - x85 (23W) - 4000K

Mounting Height = 18 Ft, Style = SD15



HORIZONTAL FOOTCANDLES

Light Loss Factor = 1.00
 Luminaire Lumens = 1913
 Maximum Calculated Value = 0.17 Fc
 2.7K Multiplier = .9
 3K Multiplier = .99
 BUG Rating = B1 U2 G1