

DATE: \_\_\_\_\_ PROJECT: \_\_\_\_\_ TYPE: \_\_\_\_\_

CATALOG NUMBER LOGIC:



*\*Stainless rings are provided in Natural (NAT) finish regardless of finish choice.*

*\*\*Material and finish to match fixture.*

*\*\*\*Eliminates glow in upper window. Material and finish to match fixture.*

*\*\*\*\*For use with 0-10 dimmer. Standard dimming 1-100%.*

**CATALOG NUMBER LOGIC**

Example: BSB - 36 - SD12 - LED - x83 - BZW - A - CD1 - DT - D23 - MT - HLS

**MATERIAL**

(Blank) - Aluminum C - Copper

**SERIES**

BSB - Beacon Bollard

**BASE HEIGHT (specify inches)**

32" (Standard), 36", 40", 44", or 48"

**STYLE**

SD10 - 10" Disk

SD12 - 12" Shade

SD15 - 15" Shade

**SOURCE**

LED - Chip on Board Technology

**LED TYPE**

x80 - 12W LED/2700K      x83 - 23W LED/2700K

x81 - 12W LED/3000K      x84 - 23W LED/3000K

x82 - 12W LED/4000K      x85 - 23W LED/4000K

**FINISH (See page 2 for full-color swatches)**

Standard Finishes (BZP, BZW, BLP, BLW, WHP, WHW, SAP, VER)

Premium Finish (ABP, AMG, AQW, BCM, BGE, BPP, CAP, CMG, CRM, HUG, NBP, OCP, RMG, SDS, SMG, TXF, WCP, WIR)

Also available in RAL Finishes

Copper Finishes (NAT, BP, GP)

**RINGS**

A - Aluminum

B- Brass

S - Stainless Steel\*

**CAP STYLE**

CC1 - Cone Cap\*\*    CD1 - Dome Cap\*\*    CF1 - Flat Cap\*\*

**ACCESSORIES**

DT - Dark Top Shield\*\*\*    HS - House Side Shield\*\*    MSH - Mesh Screen\*\*

**DRIVER\*\*\*\***

D12 - 12W Dimming Driver      D23 - 23W Dimming Driver

**INPUT VOLTAGE**

MT - 120-277 Multi Tap

**OPTIONS**

CLR - Clear Coat Protection (Available on NAT finish only)

EMB - Emergency Backup

HLS - Hi/Low Switching-motion Sensor

SGP-120 - 120V Surge Protection

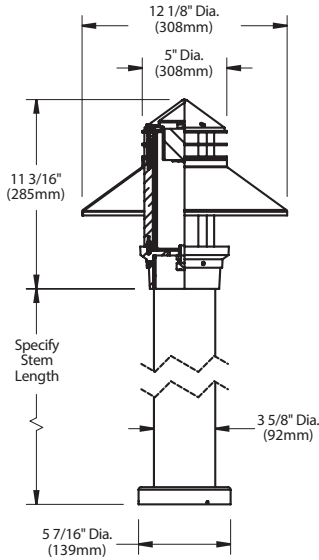
SGP-277 - 277V Surge Protection

DATE:

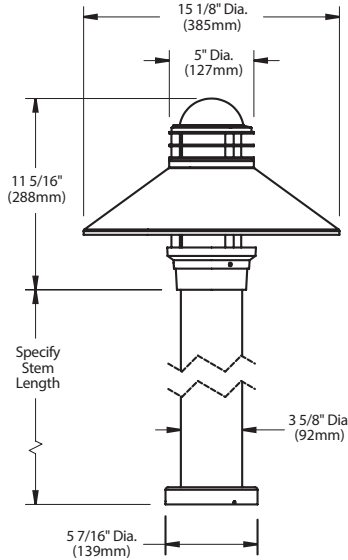
PROJECT:

TYPE:

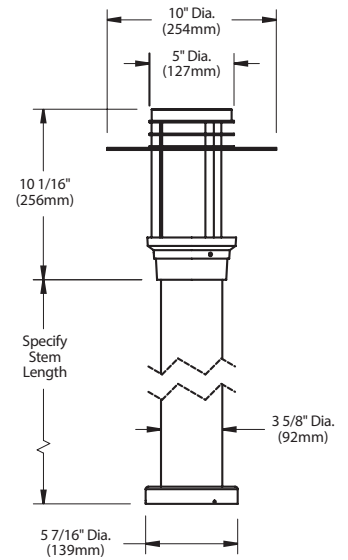
(Shown with Cone Cap - **CC1** Style and 12" Shade - **SD12**)



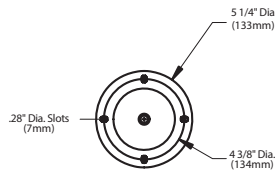
(Shown with Dome Cap - **CD1** Style and 15" Shade - **SD15**)



(Shown with Flat Cap - **CF1** Style and 10" Disk - **SD10**)



**MOUNTING PLATE**



**STANDARD FINISHES**



**PREMIUM FINISHES**



[Click Here](#) to view larger, full-color swatches of all available finishes on our website.

DATE:	PROJECT:	TYPE:
-------	----------	-------

ACCESSORIES (Configure separately)

## SPECIFICATIONS

ELECTRICAL	WATTAGE	12W or 23W LED
	BATTERY BACKUP	Provides emergency lighting for up to 90 minutes with a 24 hour recharge time. (Operation Ambient Temperature 50° to 122° F / 10° to 50° C). Uses Lithium Ion battery. Ground freight shipping required.
	HI-LOW-OFF SWITCHING	Three function switch. Includes Hi-Low-Off function. Insulated connectors. Variable programmable range from 10-100% output. Default settings for detection range, hold time, daylight sensor, stand by time and stand by dimming can be adjusted with remote.
	LED	Integrated LED system with 'X' technology is scalable for field upgrade. Modular design with electrical quick disconnects permit field maintenance. Minimum 50,000 hour rated life at 70% of initial lumens (L70). LED technology provides long life, significant energy reduction and exceptional thermal management.
	COLOR MANAGEMENT	Chip on board technology delivers natural white light. Exact color point conformity exceeds ANSI C78.377 standard. Module exceeds 80 CRI (RA>80, R9.16). Color point uniformity 2 SDCM color control for 2700K-4000K CCT.
	WIRING DRIVER	Tefzel coated stranded wire, 18GA, 600V, 150°C rated. Integral 350mA or 700mA, Class A, constant current driver. 120-277VAC (nominal) primary input voltage. 50/60Hz. >0.90 Power Factor, <30mA in-rush current, 0.20A input current, ≤20%THD (nominal at 120VAC full load). Output over-voltage, over-current, and short circuit protection with auto recovery. EMC: FCC Title 47 Part 15 Class A compliant. Driver wattage must match Fixture wattage.
	PHYSICAL	MATERIALS
BASE		Casted base made from 360 Aluminum or C836 Red Brass.
INSTALLATION		5 1/4" diameter aluminum base with 304 stainless steel plate. Mounts to #34 anchor kit (included).
HOUSING		Heavy wall 3-5/8" O.D. 6061-T6 Aluminum Tube or Type L Copper Tube.
RINGS		Solid Accent Rings with solid spacers made from 6061-T6 Aluminum or 360 Brass.
CAP		Top cap available in Cone, Dome or Flat style. Cone and Dome cap styles made from 360 Aluminum or C836 red Brass. Flat style cap is made from 6061-T6 Aluminum or 360 Brass.
DISK		1/8" 6061-T6 Aluminum - 1/8" Copper; 10" Disk
SHADE		Hand spun from high purity, solid Copper plate or aluminum. 16GA Alu 3003-H14 or Cu C101. Specify 12" or 15" shade, or 10" disk.
DARK TOP		Hand Spun Aluminum- 3003, Copper- C101; eliminates light from upper window of the fixture.
HOUSE SIDE SHIELD		Eliminates light from half of the fixture. Hand Spun Aluminum- 3003 or Copper- C101.
MESH SCREEN		Diffuses light in window. Not available with Dark Top or side shield.
LENS		3.5"dia. translucent acrylic lens provides sealed optical compartment.
SURGE PROTECTOR		Thermal protected Surge Protective Device. Prevents failure from sustaining over voltage conditions. Specify 120V or 277V.
HARDWARE FINISH		Tamper-resistant, stainless steel w/ black oxide finish. Copper and Brass: Natural (NAT): Copper and Brass components are sand blasted to expose the porous metal surface. Over time, and with exposure to the elements, the metals will naturally 'weather' resulting in a unique patina.



DATE:

PROJECT:

TYPE:

SPECIFICATIONS

PHYSICAL

FINISH

Also available with hand-crafted metal finishes including brown patina (BP), green patina (GP), and polish (POL).

Copper and Brass components are also available in powder coat finishes.

Optional ceramic clear coat protection (Copper and Brass components only) seals and protects underlying metals and protects against discoloration, fading, and wear. Highly impervious to chemicals, solvents, and graffiti. For use with natural (NAT) finish.

Aluminum: StarGuard®, our exclusive RoHs compliant, 15 stage chromate-free process cleans and conversion coats Aluminum components prior to application of Class 'A' TGIC polyester powder coating.

WARRANTY

5 year limited warranty.

LISTINGS

UL tested to IESNA LM-79. UL Listed. Certified to CAN/CSA/ANSI Standards. RoHs compliant. Suitable for indoor or outdoor use. Suitable for use in wet locations. Additionally suitable for installation within 4' of the ground. IP66 Rated. Made in USA.



# LAMP & DRIVER DATA

DATE: \_\_\_\_\_ PROJECT: \_\_\_\_\_ TYPE: \_\_\_\_\_

## DRIVER DATA

Type	AC Input Range	Frequency Hz	Power Factor at Full Load (Efficiency)	THD	InRush Current	Operating Current	Operation Ambient Temperature	Dimmer Type	Dimmer Range
D12	120/208/240/277	50/60 Hz	>.90	≤20%	<30mA	350mA	-4°F to 122°F (-20°C to 50°C)	0-10V	1-100%
D23	120/208/240/277	50/60 Hz	>.90	≤20%	<30mA	700mA	-4°F to 122°F (-20°C to 50°C)	0-10V	1-100%
D12 (with HLS)	120/208/240/277	50/60 Hz	>.90	≤20%		350mA	-4°F to 122°F (-20°C to 50°C)	-	-
D23 (with HLS)	120/208/240/277	50/60 Hz	>.90	≤20%		700mA	-4°F to 122°F (-20°C to 50°C)	-	-

### LM79 DATA

### LM70 DATA

TEKA LED #	LUMENS (Delivered)	CCT	INPUT WATTS (Typ.)	CRI (Typ.)	Minimum Rated Life (hrs.) - 70% of initial lumens (L70)
x80	1012	2700	12	80	50,000
<b>x81</b>	<b>1064</b>	<b>3000</b>	<b>12</b>	<b>80</b>	<b>50,000</b>
x82	1126	4000	12	80	50,000
<b>x83</b>	<b>1831</b>	<b>2700</b>	<b>23</b>	<b>80</b>	<b>50,000</b>
x84	1925	3000	23	80	50,000
<b>x85</b>	<b>2038</b>	<b>4000</b>	<b>23</b>	<b>80</b>	<b>50,000</b>

**TEKA ILLUMINATION**

**MADE IN THE USA**

559.438.5800 | [INFO@TEKAILLUMINATION.COM](mailto:INFO@TEKAILLUMINATION.COM) | [TEKAILLUMINATION.COM](http://TEKAILLUMINATION.COM)

THIS DOCUMENT CONTAINS PROPRIETARY INFORMATION OF TEKA ILLUMINATION AND ITS RECEIPT OR POSSESSION DOES NOT CONVEY ANY RIGHTS TO REPRODUCE, DISCLOSE ITS CONTENTS, OR TO MANUFACTURE, USE OR SELL ANYTHING IT MAY DESCRIBE. REPRODUCTION, DISCLOSURE OR USE WITHOUT SPECIFIC WRITTEN AUTHORIZATION OF TEKA ILLUMINATION IS STRICTLY FORBIDDEN.

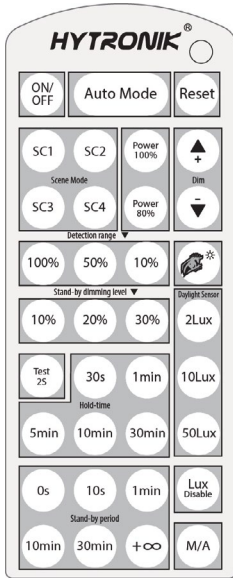
# HLR

DATE:

PROJECT:

TYPE:

CATALOG NUMBER LOGIC:



## CATALOG NUMBER LOGIC

Example: HLR

## REMOTE

HLR - Remote Control HLR\*

*\*For use with hi/low switching-motion sensor.*

# HLR

DATE:

PROJECT:

TYPE:

ACCESSORIES (Configure separately)

## SPECIFICATIONS

ELECTRICAL	HLR FOR HI-LOW-OFF SWITCHING	Three function switch. Includes Hi-Low-Off function. Variable programmable range from 10-100% output. Default settings for detection range, hold time, daylight sensor, stand by time and stand by dimming can be adjusted with remote.

**TEKA ILLUMINATION**

**MADE IN THE USA**

559.438.5800 | [INFO@TEKAILLUMINATION.COM](mailto:INFO@TEKAILLUMINATION.COM) | [TEKAILLUMINATION.COM](http://TEKAILLUMINATION.COM)

THIS DOCUMENT CONTAINS PROPRIETARY INFORMATION OF TEKA ILLUMINATION AND ITS RECEIPT OR POSSESSION DOES NOT CONVEY ANY RIGHTS TO REPRODUCE, DISCLOSE ITS CONTENTS, OR TO MANUFACTURE, USE OR SELL ANYTHING IT MAY DESCRIBE. REPRODUCTION, DISCLOSURE OR USE WITHOUT SPECIFIC WRITTEN AUTHORIZATION OF TEKA ILLUMINATION IS STRICTLY FORBIDDEN.

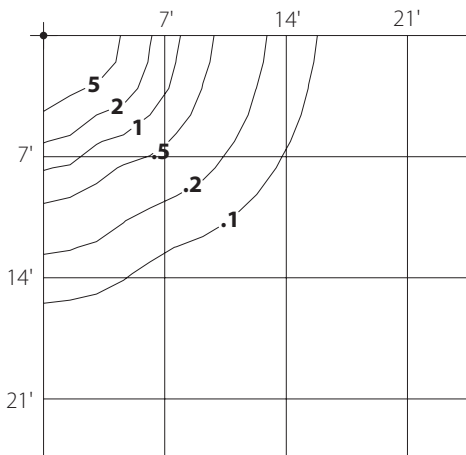
06/14/2022 SKU-1202 P3  
SUB-2705-00

# BEACON BOLLARD (BSB) - HORIZONTAL FOOTCANDLES

DATE: PROJECT: TYPE:

## BSB - LED - x82 (12W) - 4000K

Mounting Height = 3 Ft, Shade = SD10

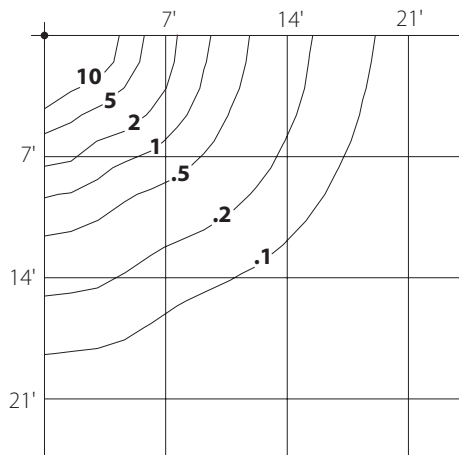


### HORIZONTAL FOOTCANDLES

Light Loss Factor = 1.00  
 Luminaire Lumens = 1285  
 Maximum Calculated Value = 13.75 Fc  
 2.7K Multiplier = .90  
 3K Multiplier = .94  
 BUG Rating = B1 U3 G1

## BSB - LED - x85 (23W) - 4000K

Mounting Height = 3 Ft, Shade = SD10

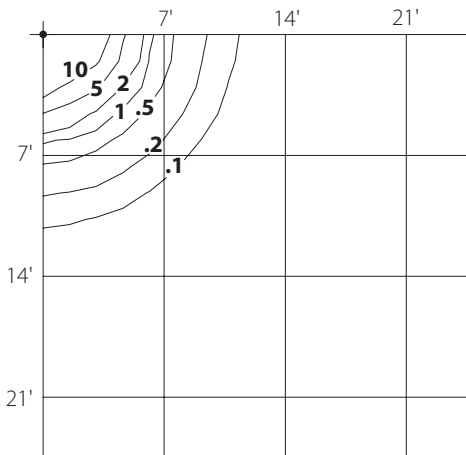


### HORIZONTAL FOOTCANDLES

Light Loss Factor = 1.00  
 Luminaire Lumens = 2410  
 Maximum Calculated Value = 25.83 Fc  
 2.7K Multiplier = .90  
 3K Multiplier = .94  
 BUG Rating = B1 U3 G1

## BSB - LED - x82 (12W) - 4000K

Mounting Height = 3 Ft, Shade = SD12 & SD15

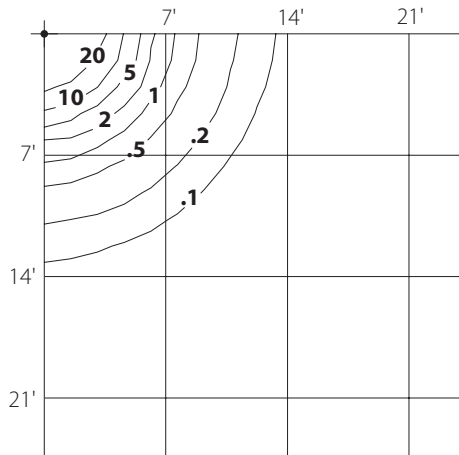


### HORIZONTAL FOOTCANDLES

Light Loss Factor = 1.00  
 Luminaire Lumens = 1126  
 Maximum Calculated Value = 23.55 Fc  
 2.7K Multiplier = .90  
 3K Multiplier = .94  
 BUG Rating = B1 U2 G1

## BSB - LED - x85 (23W) - 4000K

Mounting Height = 3 Ft, Shade = SD12 & SD15



### HORIZONTAL FOOTCANDLES

Light Loss Factor = 1.00  
 Luminaire Lumens = 2038  
 Maximum Calculated Value = 40.42 Fc  
 2.7K Multiplier = .90  
 3K Multiplier = .94  
 BUG Rating = B1 U2 G1