

DATE: _____ PROJECT: _____ TYPE: _____

CATALOG NUMBER LOGIC:



**Finish to match material.*

***Stainless rings are provided in Natural (NAT) finish regardless of finish choice.*

****Eliminates glow in upper window. Material and finish to match fixture.*

*****Material and finish to match fixture.*

******For use with 0-10 Dimmer. Driver wattage must match fixture wattage.*

CATALOG NUMBER LOGIC

Example: LBL - SD27 - LED - x43 - BZW - A - DT - D34 - MT

MATERIAL

(Blank) - Aluminum C - Copper

SERIES

LBL - Large Beacon Pillar

STYLE

SD27 - 27" Shade

SOURCE

LED - Chip on Board Technology

LED TYPE

x43 - 34W LED/2700K x44 - 34W LED/3000K x45 - 34W LED/4000K

FINISH (See page 2 for full-color swatches)

Standard Finishes (BZP, BZW, BLP, BLW, WHP, WHW, SAP, VER)

Premium Finish (ABP, AMG, AQW, BCM, BGE, BPP, CAP, CMG, CRM, HUG, NBP, OCP, RMG, SDS, SMG, TXF, WCP, WIR)

Also available in RAL Finishes

Copper Finishes (NAT, BP, GP)

RINGS

A - Aluminum*

B - Brass*

S - Stainless Steel**

ACCESSORIES (select one)

DT - Dark Top Shield***

HS - House Side Shield****

MSH - Mesh Screen****

DRIVER TYPE*****

D34 - 34W Dimming Driver (Standard dimming 1-100%)

INPUT VOLTAGE

MT - 120-277 Multi Tap

OPTION

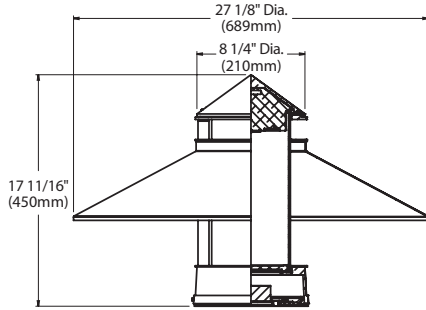
CLR - Clear Coat Protection (Available on NAT finish only)

DATE:

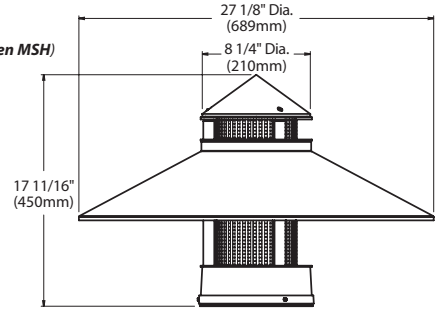
PROJECT:

TYPE:

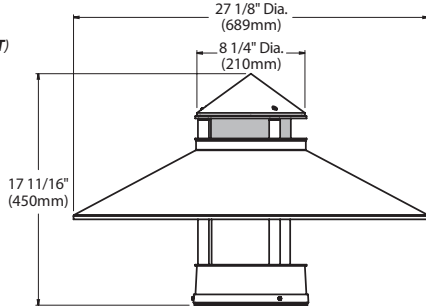
SIDE VIEW



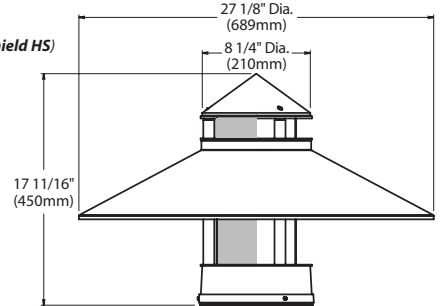
(Shown with *Mesh Screen MSH*)



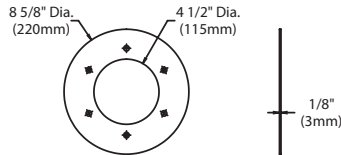
(Shown with *Dark Top DT*)



(Shown with *House Side Shield HS*)



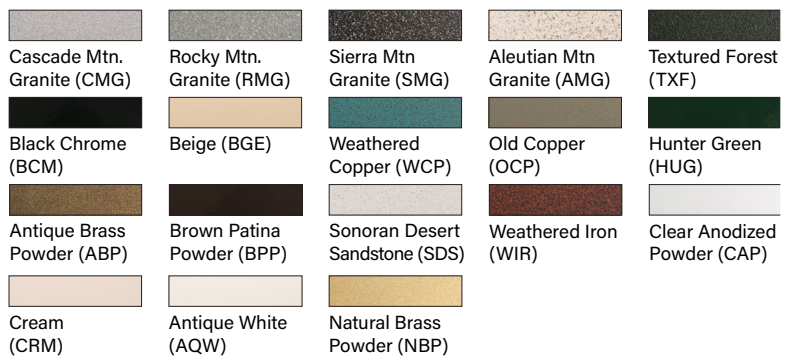
MOUNTING PLATE



STANDARD FINISHES



PREMIUM FINISHES



[Click Here](#) to view larger, full-color swatches of all available finishes on our website.

| | | |
|-------|----------|-------|
| DATE: | PROJECT: | TYPE: |
|-------|----------|-------|

ACCESSORIES (Configure separately)

SPECIFICATIONS

| | | |
|------------|---------------------|--|
| ELECTRICAL | WATTAGE | 34W LED |
| | LED | Integrated LED system with 'X' technology is scalable for field upgrade. Modular design with electrical quick disconnects permit field maintenance. Minimum 50,000 hour rated life at 70% of initial lumens (L70). LED technology provides long life, significant energy reduction and exceptional thermal management. |
| | COLOR MANAGEMENT | Chip on board technology delivers natural white light. Exact color point conformity exceeds ANSI C78.377 standard. Module exceeds 80 CRI (RA>80, R9.16). Color point uniformity 2 SDCM color control for 2700K-4000K CCT. |
| | WIRING DRIVER (34W) | Tefzel® coated stranded wire, 18GA, 600V, 150° C rated and certified to UL 1659 standard. [1] 1.05A (D34), Class A, constant current driver. 120-277VAC (nominal) primary input voltage. 50/60Hz. >0.90 Power Factor, 30mA ² S in-rush current, ≤20%THD (nominal at 120VAC full load). Output over-voltage, over-current, and short circuit protection with auto recovery. EMC: FCC47CFR Part 15 Class B compliant. Dimming driver for use with standard 0-10V dimmers and switch controls. (Refer to driver electrical data). D34 - 1-100% dimming range. |
| PHYSICAL | MATERIALS | Copper: Constructed from copper and brass. These enduring metals are inherently corrosion resistant. Aluminum: Constructed from Copper-free Aluminum (Type 6061-T6). |
| | RING STACK | Solid aluminum accent rings with aluminum spacers; brass or stainless steel accent rings with solid brass spacers. Stainless steel rings available in natural (NAT) finish only. |
| | INSTALLATION | 8" diameter aluminum base with 304 stainless steel plate. Mounts to a #36 anchor kit. |
| | SHADE | 27" Shade Hand spun from high purity ASTM 3003-H14 Aluminum or ASTM C101 Copper. |
| | DARK TOP | Hand Spun Aluminum- 3003, Copper- C101; eliminates light from upper window of the fixture. |
| | MESH SCREEN | Diffuses light in window. Not available with House Side Shield or Dark Top. Finish to match fixture. |
| | HOUSE SIDE SHIELD | Hand spun aluminum- 3003, copper- C101; eliminates light from half of the fixture. |
| | LENS | 6" dia. frosted acrylic lens. |
| | CAP | Top Cast Cap. 360 Aluminum or C836 Red Brass. |
| | BASE | Cast aluminum-360, cast brass C836. high temperature silicone gasket provides water tight seal to lens assembly. |
| | HARDWARE | Tamper-resistant, stainless steel hardware with black oxide finish. |
| | FINISH | Copper and Brass: Natural (NAT): Copper and brass components are sand blasted to expose the porous metal surface. Over time, and with exposure to the elements, the metals will naturally 'weather' resulting in a unique patina. Also available with hand-crafted metal finishes including brown patina (BP), green patina (GP), and polish (POL). Copper and brass components are also available in powder coat finishes. Optional ceramic clear coat protection (copper and brass components only) seals and protects underlying metals and protects against discoloration, fading, and wear. Highly impervious to chemicals, solvents, and graffiti. For use with natural (NAT) and polish (POL) finishes. Aluminum: StarGuard®, our exclusive RoHs compliant, 15 stage chromate-free process cleans and conversion coats aluminum components prior to application of Class 'A' TGIC polyester powder coating. |



DATE:

PROJECT:

TYPE:

SPECIFICATIONS

PHYSICAL

WARRANTY

LISTINGS

5 year limited warranty.

UL tested to IESNA LM-79. UL Listed. Certified to CAN/CSA/ANSI Standards. RoHs compliant. Suitable for indoor or outdoor use. Suitable for use in wet locations. Additionally suitable for installation within 4' of the ground. IP66 Rated. Made in USA.



LAMP & DRIVER DATA

DATE: _____ PROJECT: _____ TYPE: _____

DRIVER DATA

| Type | AC Input Range | Frequency Hz | Power Factor At Full Load (Efficiency) | THD | InRush Current | Operating Current | Operation Ambient Temperature | Dimmer Type | Dimmer Range |
|------|----------------|--------------|--|------|--------------------------|-------------------|-------------------------------|-------------|--------------|
| D34 | 120-277 | 50/60 | >0.9 | <20% | 30mA ² S@277V | 1050mA | -30°C ~ 50°C | 0-10V | 1-100% |

LM79 DATA

LM70 DATA

| TEKA LED # | LUMENS (Delivered) | CCT | INPUT WATTS (Typ.) | CRI (Typ.) | Minimum Rated Life (hrs.) - 70% of initial lumens (L70) |
|------------|--------------------|-------------|--------------------|------------|---|
| x43 | 2643 | 2700 | 34 | 80 | 50,000 |
| x44 | 2874 | 3000 | 34 | 80 | 50,000 |
| x45 | 2949 | 4000 | 34 | 80 | 50,000 |

LARGE BEACON PILLAR (LBL) - HORIZONTAL FOOTCANDLES

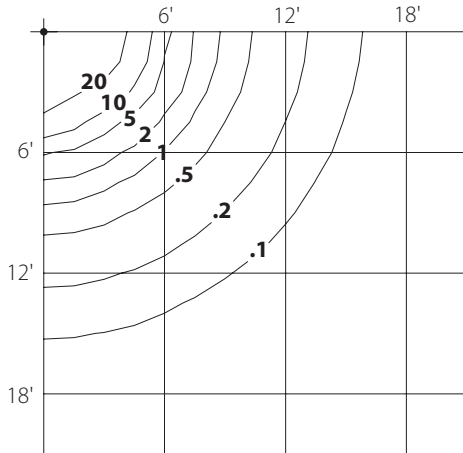
DATE:

PROJECT:

TYPE:

LBL - LED - x45 (34W) - 4000K

Mounting Height = 3 Ft



HORIZONTAL FOOTCANDLES

Light Loss Factor = 1.00

Luminaire Lumens = 2949

Maximum Calculated Value = 49.64 Fc

2.7K Multiplier = .9

3K Multiplier = .97

BUG Rating = B1 U3 G1