

# LARGE BEACON STEM MOUNT

IP65 RATED

DATE: \_\_\_\_\_ PROJECT: \_\_\_\_\_ TYPE: \_\_\_\_\_

CATALOG NUMBER LOGIC:



## CATALOG NUMBER LOGIC

Example: LBS - 30 - SD27 - LED - x44 - BW - WHP - A - MSH - HSQ

## MATERIAL

(Blank) - Aluminum C - Copper

## SERIES

LBS - Large Beacon Stem Mount

## STEM LENGTH

6" (Standard), 12", 18", 24", 30", 36", 42", 48", 54", or 60"

## STYLE

SD27 - 27" Shade

SD35 - 35" Shade

## SOURCE

LED - Chip on Board Technology

## LED TYPE

x43 - 34W LED/2700K x46 - 42W LED/2700K x49 - 57W LED/27000K

x44 - 34W LED/3000K x47 - 42W LED/3000K x50 - 57W LED/3000K

x45 - 34W LED/4000K x48 - 42W LED/4000K x51 - 57W LED/4000K

## OPTICS

BW - Batwing

## FINISH (See page 2 for full-color swatches)

Standard Finishes (BZP, BZW, BLP, BLW, WHP, WHW, SAP, VER)

Premium Finish (ABP, AMG, AQW, BCM, BGE, BPP, CAP, CMG, CRI, CRM, HUG, MDS, NBP, OCP, RMG, SDS, SMG, TXF, WCP, WIR)

Also available in RAL Finishes

Copper Finishes (NAT, BP, GP)

## RING STACK

A - Aluminum

B - Brass

S - Stainless Steel\*

## ACCESSORIES

DT - Dark Top Shield\*\*

MSH - Mesh Screen\*\*\*

## OPTION

CLR - Clear Coat Protection (Available on NAT finish only)

## MOUNTING

HSR - Hang Straight Round

HSQ - Hang Straight Square

\*Stainless rings are provided in Natural (NAT) regardless of finish choice.

\*\*Eliminates glow in supper window. Material and finish to match fixture.

\*\*\*Material and finish to match fixture.

TEKA ILLUMINATION

MADE IN THE USA

559.438.5800 | INFO@TEKAILLUMINATION.COM | TEKAILLUMINATION.COM

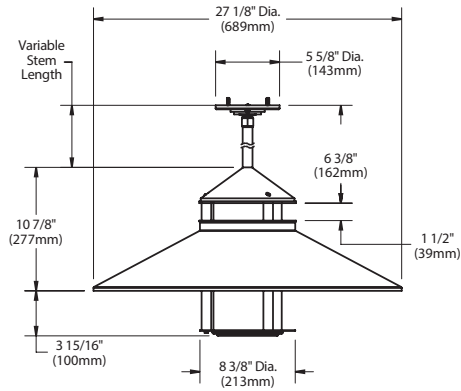
THIS DOCUMENT CONTAINS PROPRIETARY INFORMATION OF TEKA ILLUMINATION AND ITS RECEIPT OR POSSESSION DOES NOT CONVEY ANY RIGHTS TO REPRODUCE, DISCLOSE ITS CONTENTS, OR TO MANUFACTURE, USE OR SELL ANYTHING IT MAY DESCRIBE. REPRODUCTION, DISCLOSURE OR USE WITHOUT SPECIFIC WRITTEN AUTHORIZATION OF TEKA ILLUMINATION IS STRICTLY FORBIDDEN.

07/11/2022 SKU-1215 P1  
SUB-2690-00

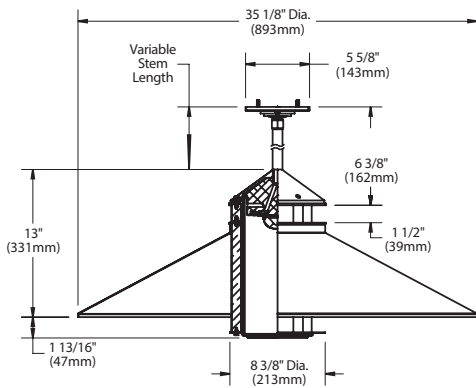
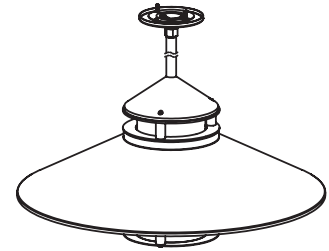
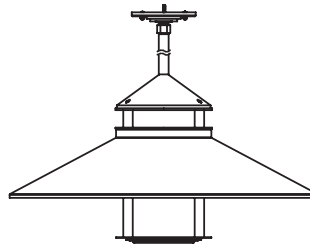
DATE:

PROJECT:

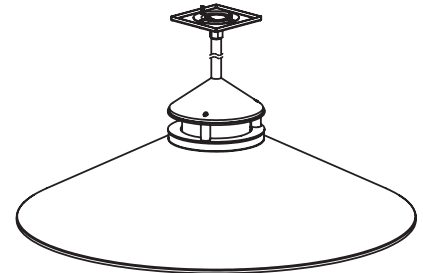
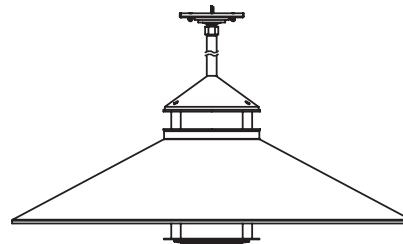
TYPE:



(SD27 Style shown with *Hang Straight Round Canopy*)



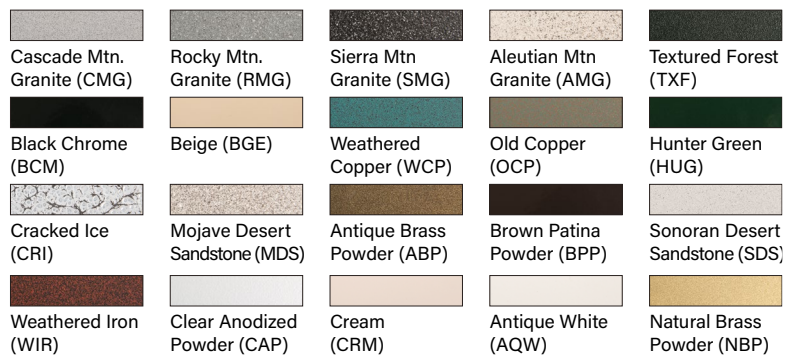
(SD35 Style shown with *Hang Straight Square Canopy*)



## STANDARD FINISHES



## PREMIUM FINISHES



[Click Here](#) to view larger, full-color swatches of all available finishes on our website.

DATE:	PROJECT:	TYPE:
-------	----------	-------

ACCESSORIES (Configure separately)

## SPECIFICATIONS

ELECTRICAL	WATTAGE	34W, 42W, or 57W LED
	LED	Integrated solid state system with 'X' technology is scalable for field upgrade. Modular design with electrical quick disconnects permit field maintenance. Minimum 50,000 hour rated life at 70% of initial lumens (L70). BKSSL® technology provides long life, significant energy reduction and exceptional thermal management.
	COLOR MANAGEMENT	Chip on board technology delivers natural white light. Exact color point conformity exceeds ANSI C78.377 standard. Module exceeds 80 CRI (RA>80, R9.16). Color point uniformity 2 SDCM color control for 2700K-4000K CCT.
	WIRING REMOTE DRIVER	Tefzel® coated wire, 18AWG, 600V, 150° C rated and certified to UL 1569 standard. For use with remote LED Driver. See remote driver submittal(s) to determine remote distance, dimming range, and wiring requirements prior to detailing field installation of any remote wiring.
PHYSICAL	MATERIALS	Copper and Brass: Constructed from copper and brass. These enduring metals are inherently corrosion resistant. Aluminum: Constructed from Copper-Free aluminum (Type 6061-T6).
	SHADE	Hand spun from 16GA 3003-H14 aluminum or 16GA C101 copper Specify 27" or 35" diameter.
	BODY	360 Aluminum Cast or C836 Red Brass cast. High temperature, silicone gasket provides water tight seal to shade assembly.
	LENS	6" dia. frosted acrylic lens with frosted acrylic downlight lens provides sealed optical compartment.
	SHTEM	Fully Machined 7/8"OD X 1/8" Wall ASTM 6061-T6 Aluminum Tube or 7/8"OD X 1/8" Wall ASTM C360 Brass. Available in configurable lengths 6" Minimum and 60" maximum overall.
	RINGS	6061-T6 Aluminum Ring, 360 Brass Ring or 304 Stainless Steel Ring (Specify Separately).
	HANG STRAIGHT CANOPY	4" Round Hang Straight mounting plate with 20° swivel angel. Canopy conceals mounting plate available in 5-5/8" Round or 5-5/8"x5-5/8" Square. Made from Hand Spun 16GA-3003-H14 Aluminum or 16GA-C101 Copper.
	MESH SCREEN	Diffuses light in window. Material and Finish to match fixture.
	DARK TOP	Eliminates glow in window above shade. Material and Finish to match fixture.
	INSTALLATION	4" diameter, machined aluminum mounting plate with black finish. For use with 4" octagonal junction box.
FINISH	Copper and Brass: Natural (NAT): Copper and brass components are sand blasted to expose the porous metal surface. Over time, and with exposure to the elements, the metals will naturally 'weather' resulting in a unique patina. Also available with hand-crafted metal finishes including brown patina (BP), green patina (GP), and polish (POL). Copper and brass components are also available in powder coat finishes. Optional ceramic clear coat protection (copper and brass components only) seals and protects underlying metals and protects against discoloration, fading, and wear. Highly impervious to chemicals, solvents, and graffiti. For use with natural (NAT) and polish (POL) finishes.	
WARRANTY	Aluminum: StarGuard®, our exclusive RoHs compliant, 15 stage chromate-free process cleans and conversion coats aluminum components prior to application of Class 'A' TGIC polyester powder coating. 5 year limited warranty.	



DATE:

PROJECT:

TYPE:

## SPECIFICATIONS

PHYSICAL

LISTINGS

UL tested to IESNA LM-79. UL Listed. Certified to CAN/CSA/ANSI Standards. RoHs compliant. Suitable for indoor or outdoor use. Suitable for use in wet locations. Additionally suitable for installation within 4' of the ground. IP65 Rated. Made in USA.



# LARGE BEACON STEM MOUNT (LBS) - HORIZONTAL FOOTCANDLES

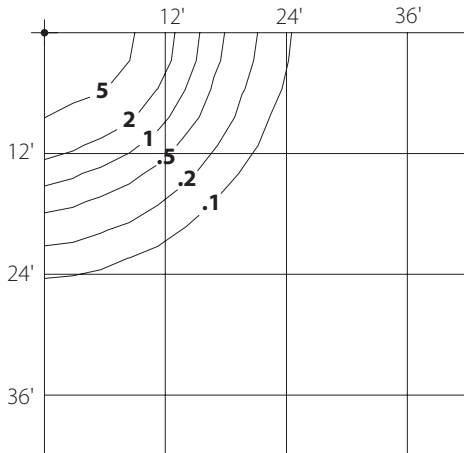
DATE:

PROJECT:

TYPE:

## LBS - LED - x45 (34W) - 4000K

Mounting Height = 8 Ft, Style = SD27, Optic = BW



### HORIZONTAL FOOTCANDLES

Light Loss Factor = 1.00

Luminaire Lumens = 3354

Maximum Calculated Value = 9.19 Fc

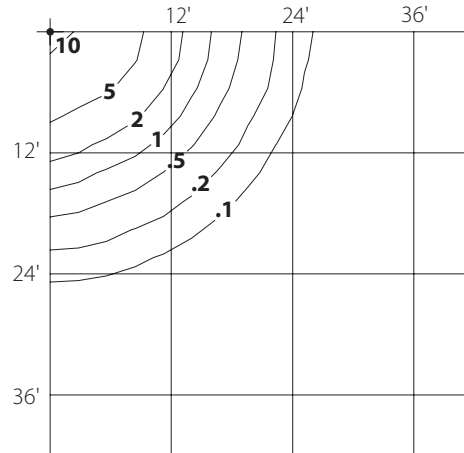
2.7K Multiplier = .92

3K Multiplier = .95

BUG Rating = B2 U2 G1

## LBS - LED - x48 (42W) - 4000K

Mounting Height = 8 Ft, Style = SD27, Optic = BW



### HORIZONTAL FOOTCANDLES

Light Loss Factor = 1.00

Luminaire Lumens = 3588

Maximum Calculated Value = 14.15 Fc

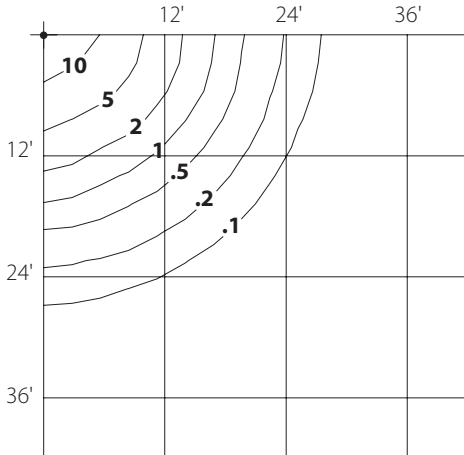
2.7K Multiplier = .93

3K Multiplier = .98

BUG Rating = B2 U2 G1

## LBS - LED - x51 (57W) - 4000K

Mounting Height = 8 Ft, Style = SD27, Optic = BW



### HORIZONTAL FOOTCANDLES

Light Loss Factor = 1.00

Luminaire Lumens = 4385

Maximum Calculated Value = 18.50 Fc

2.7K Multiplier = .88

3K Multiplier = .98

BUG Rating = B2 U2 G1

**TEKA ILLUMINATION**

**MADE IN THE USA**

559.438.5800 | [INFO@TEKAILLUMINATION.COM](mailto:INFO@TEKAILLUMINATION.COM) | [TEKAILLUMINATION.COM](http://TEKAILLUMINATION.COM)

THIS DOCUMENT CONTAINS PROPRIETARY INFORMATION OF TEKA ILLUMINATION AND ITS RECEIPT OR POSSESSION DOES NOT CONVEY ANY RIGHTS TO REPRODUCE, DISCLOSE ITS CONTENTS, OR TO MANUFACTURE, USE OR SELL ANYTHING IT MAY DESCRIBE. REPRODUCTION, DISCLOSURE OR USE WITHOUT SPECIFIC WRITTEN AUTHORIZATION OF TEKA ILLUMINATION IS STRICTLY FORBIDDEN.