

DATE: _____ PROJECT: _____ TYPE: _____

CATALOG NUMBER LOGIC:



*Choose between stainless steel or copper for brass finish.

**Material and finish to match rings. Available in copper only.

***Only available for Copper Material.

CATALOG NUMBER LOGIC

Example: AR - SM - 12 - LED - 388 - BLP - WHT - A-SAP - HS - 120

MATERIAL

(Blank) - Aluminum C - Copper

SERIES

AR - Arcade

STYLE

SM - Sundial Surface Mount

WALL PLATE

12 - 12 Inch

SOURCE

LED - LED System

LED TYPE

387 - 7W LED/2700K 388 - 7W LED/3000K 389 - 7W LED/4000K

FRAME FINISH (See page 2 for full-color swatches)

Standard Finishes (BZP, BZW, BLP, BLW, WHP, WHW, SAP, VER)

Premium Finish (ABP, AMG, AQW, BCM, BGE, BPP, CAP, CMG, CRM, HUG, NBP, OCP, RMG, SDS, SMG, TXF, WCP, WIR)

Also available in RAL Finishes

Copper Finishes (NAT, BP, GP)

DIFFUSER

WHT - Translucent White

ALB - White Alabaster

ROS - Rose Alabaster

HRN - Natural Horn

CAR - Carmel

RINGS & FINISH (See page 2 for full-color swatches)

A - Aluminum Ring

Stainless Steel Ring & Finish

S - Stainless Steel Ring*

Standard Finishes (BZP, BZW, BLP, BLW, WHP, WHW, SAP, VER)

Stainless Steel Finishes (NAT, POL)

Copper Rings & Finish*

C - Copper Rings

Copper Finishes (NAT, BP, GP, POL)

ACCESSORIES

HS - Half Shield**

VOLTAGE

120V or 277V

OPTION***

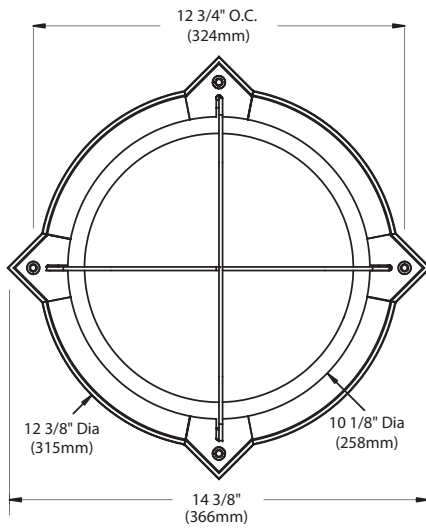
CLR - Clear Coat Protection (Available on NAT or POL finish only)

DATE:

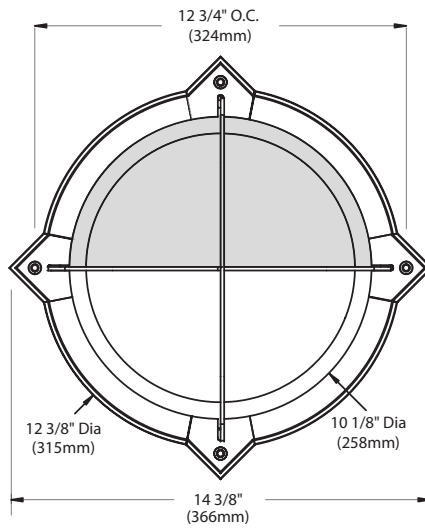
PROJECT:

TYPE:

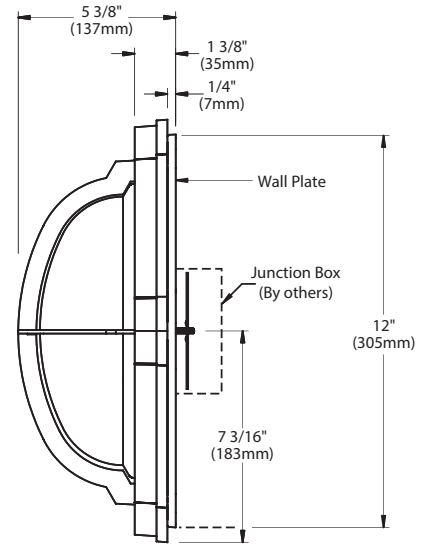
FRONT VIEW



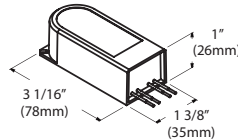
FRONT VIEW W/ HALF SHIELD



SIDE VIEW



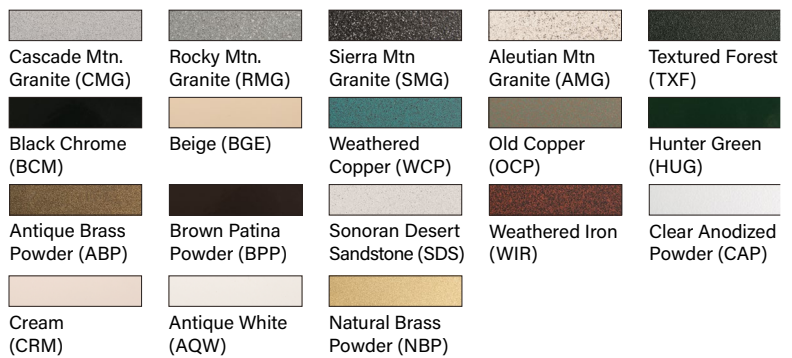
TRANSFORMER



STANDARD FINISHES



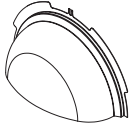
PREMIUM FINISHES



[Click Here](#) to view larger, full-color swatches of all available finishes on our website.

DATE:	PROJECT:	TYPE:
-------	----------	-------

ACCESSORIES (Configure separately)



Half Shield

SPECIFICATIONS

ELECTRICAL	WATTAGE	7W LED
	SOURCE	LED features LED technology (50,000 Hr. Life), 7W LED. Available in 2700K, 3000K and 4000K.
	WIRING	Teflon® coated wire, 18AWG, 300V, 150° C rated and certified to UL 1659 standard.
	TRANSFORMER	Includes a 12VAC transformer. 120 or 277VAC input.
PHYSICAL	MATERIALS	Constructed from copper-free aluminum, corrosion resistant brass, copper and stainless steel. These lifetime materials are inherently corrosion resistant. Factory-applied finishes are also available.
	FACEPLATE	Cast from solid, copper-free aluminum or corrosion resistant brass with stainless steel fasteners.
	RINGS	Constructed from solid, copper-free aluminum, copper or stainless steel.
	HALF SHIELD (OPTIONAL)	Hand spun from high purity, solid copper or aluminum plate only. Finish and material to match rings. Stainless Steel not available.
	WALL PLATE	Cast from solid, copper-free aluminum. Fully gasketed, and mounts to a recessed 4" octagonal junction box.
	DIFFUSER	One of 5 standard molded, etched acrylic translucent diffusers for high transmittance and long life.
	HARDWARE	Tamper-resistant, stainless steel hardware with black oxide finish.
	FINISH	Copper and Brass: Natural (NAT): Copper and brass components are sand blasted to expose the porous metal surface. Over time, and with exposure to the elements, the metals will naturally 'weather' resulting in a unique patina. Also available with hand-crafted metal finishes including brown patina (BP), green patina (GP), and polish (POL). Aluminum, stainless and brass components are also available in powder coat finishes. Optional ceramic clear coat protection (copper and brass components only) seals and protects underlying metals and protects against discoloration, fading, and wear. Highly impervious to chemicals, solvents, and graffiti. For use with natural (NAT) and polish (POL) finishes.
	WARRANTY	5 year limited warranty.
	LISTINGS	UL tested to IESNA LM-79. UL Listed. Certified to CAN/CSA/ANSI Standards. RoHs compliant. Suitable for indoor or outdoor use. Suitable for use in wet locations. Additionally suitable for installation within 4' of the ground. IP66 Rated. Made in USA.



LAMP & TRANSFORMER DATA

DATE: _____ PROJECT: _____ TYPE: _____

TRANSFORMER DATA

AC Input Range	Output Range	Frequency Hz	Power Factor At Full Load (Efficiency)	THD	Operation Ambient Temperature
120V	12V	50/60 Hz	> 0.98	<13%	-10°F to 130°F (-23°C to 54°C)
277V	12V	50/60 Hz	> 0.97	<13%	-10°F to 130°F (-23°C to 54°C)

LM79 DATA

LM70 DATA

TEKA LED #	LUMENS (Delivered)	CCT	INPUT WATTS (Typ.)	CRI (Typ.)	Minimum Rated Life (hrs.) - 70% of initial lumens (L70)
387	177	2700	7	90	50,000
388	325	3000	7	80	50,000
389	204	4000	7	90	50,000