

SQUARE CANOPY (CQW)



Warning



Hot Surface







Wear Gloves



Low Voltage

NEEDED FOR INSTALLATION:

-  5/64" Allen Wrench
-  Waterproof Wire Connectors
-  Mounting Hardware
-  Gloves

By others

INSTRUCTIONS PERTAINING TO A RISK OF FIRE, OR INJURY TO PERSONS IMPORTANT SAFETY INSTRUCTIONS

Lighted fixture is HOT!

WARNING - To reduce the risk of FIRE OR INJURY TO PERSONS:

Turn off/unplug and allow to cool before replacing LED. Fixture gets HOT quickly! Contact only switch/plug when turning on. Do not touch hot lens, guard, or enclosure. Keep fixture away from materials that may burn. Do not operate the luminaire fitting with a missing or damaged shield. Do not touch the source at any time. Use a soft cloth or gloves. Oil from skin may cause damage.

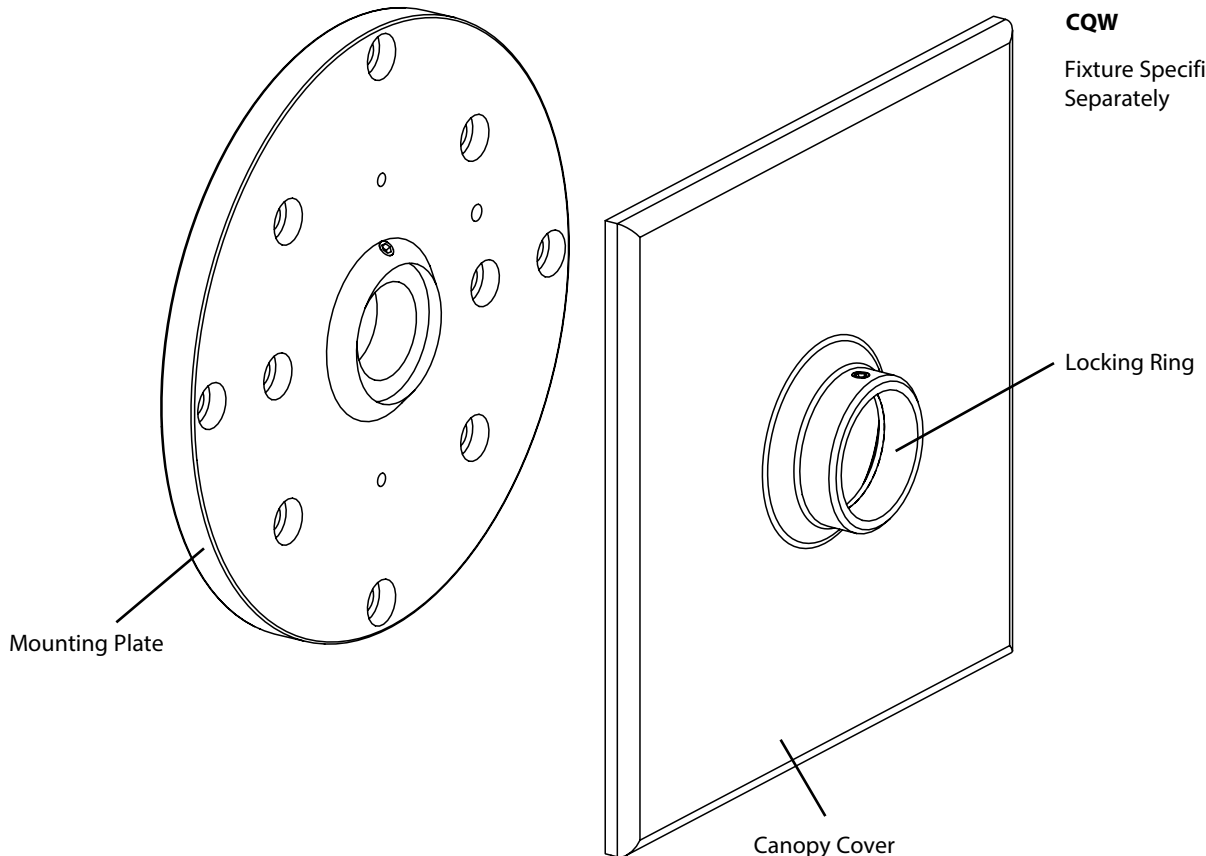
SAVE THESE INSTRUCTIONS

IMPORTANT SAFETY INFORMATION - READ, FOLLOW, AND SAVE ALL SAFETY AND INSTALLATION INSTRUCTIONS

- Product must be installed by a qualified person in a manner consistent with its intended use and in compliance with the National Electrical Code, Canadian Electrical Code, and all Local and Provincial Codes.
- Follow product label information and instructions.
- Qualified Personnel with appropriate personal protective equipment must perform all servicing of this product.
- Before wiring to power supply and during servicing, turn off and lock out power at fuse or circuit breaker before service.
- The use of accessory equipment not recommended by the manufacturer or installed contrary to instructions may cause an unsafe condition. The use of damaged components may cause an unsafe condition and void product warranty.
- Do not block light emanating from product in whole or part, as this may cause an unsafe condition.
- Never operate the fixture with missing or damaged lens. Lens must be cleaned on regular basis.
- Entire fixture may become extremely hot. Do not touch hot lens or fixture body.
- Replace LED assembly only with correct wattage and type of power supply appropriate for LED assembly.
- All gaskets, o-rings and sealing surfaces must be kept clean during installation and service; failure to do this may cause an unsafe condition and void product warranty.

IMPORTANT LISTINGS AND CERTIFICATIONS

- Suitable for wet locations



IMPORTANT SAFETY INFORMATION - READ, FOLLOW, AND SAVE THESE INSTALLATION INSTRUCTIONS

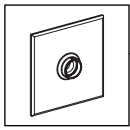
TEKA ILLUMINATION

40429 Brickyard Drive • Madera, CA 93636 • USA
559.438.5800 • FAX 559.438.5900
www.tekaillumination.com • info@tekaillumination.com

DATE
6-26-18

REFERENCE NUMBER
INS-2659-00

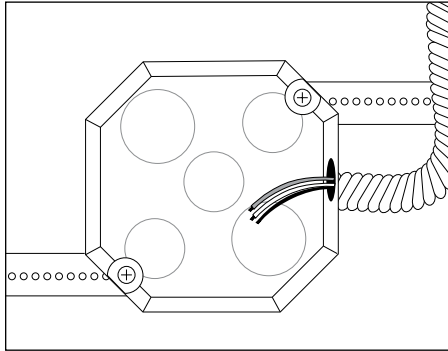
THIS DOCUMENT CONTAINS PROPRIETARY INFORMATION OF TEKA ILLUMINATION AND ITS RECEIPT OR POSSESSION DOES NOT CONVEY ANY RIGHTS TO REPRODUCE, DISCLOSE ITS CONTENTS, OR TO MANUFACTURE, USE OR SELL ANYTHING IT MAY DESCRIBE. REPRODUCTION, DISCLOSURE OR USE WITHOUT SPECIFIC WRITTEN AUTHORIZATION OF TEKA ILLUMINATION IS STRICTLY FORBIDDEN.



SQUARE CANOPY (CQW)

Phase 1 - Rough In

Installation of Back box



Additional Info

- Please follow National and Local electrical codes for your area.
- Suitable for through wire.
- Suitable for installation into combustible materials.
- Rated for 90° C.
- Junction box, universal mounting ring screws, box mounting hardware and gaskets (By Others)

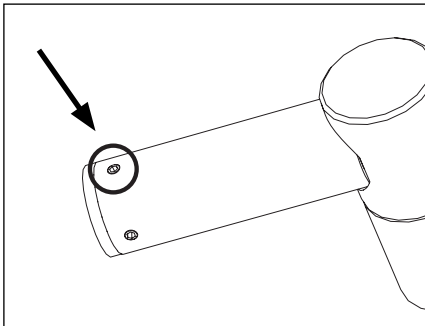
⚠ Junction box must be secured to a structural member suitable for weight of the luminaire and other weight likely to be placed upon it.

1. Install Conduit (By Others) to be used with this product.

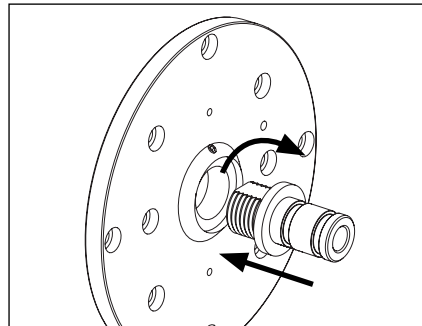
2. Install junction box so that front face is flush with finished wall. Seal building envelope as per NEC.

3. Connect box to conduit and pull wires for connections (See wiring diagram).

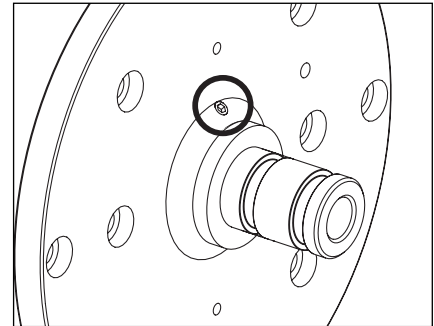
Phase 2 - Installation



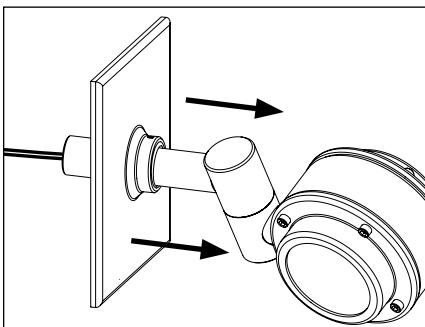
1. Remove stem from adapter by loosening two (2) #8-32 set screws with 5/64" Allen wrench. Remove adapter from stem of existing fixture.



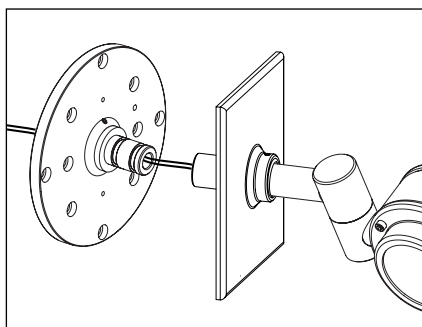
2. Thread stem adapter into canopy mounting plate with existing o-ring.



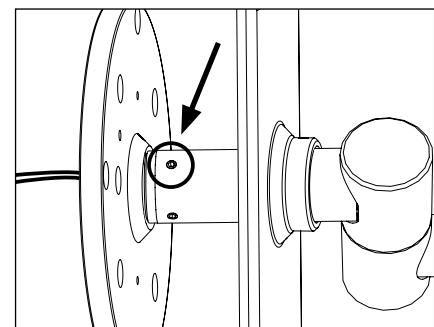
3. Secure installed stem adapter in canopy mounting plate by securing with #8-32 set screw using 5/64" Allen wrench.



4. Slide fixture leads and stem of fixture through locking ring, then decorative canopy cover. Locking ring must be facing proper direction to be flush to decorative canopy.



5. Thread fixture leads through installed adapter and mounting plate.



6. Press stem over adapter. Secure by tightening two (2) #8-32 set screws with 5/64" Allen wrench.

**IMPORTANT SAFETY INFORMATION LISTED ON REVERSE
READ, FOLLOW, AND SAVE ALL SAFETY AND INSTALLATION INSTRUCTIONS**



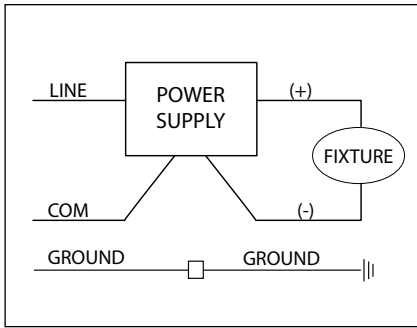
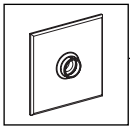
TEKA ILLUMINATION

40429 Brickyard Drive • Madera, CA 93636 • USA
559.438.5800 • FAX 559.438.5900
www.tekaillumination.com • info@tekaillumination.com

DATE
6-26-18

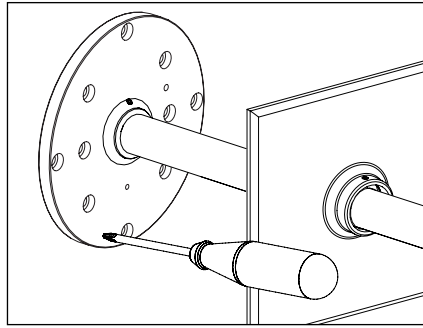
REFERENCE NUMBER
INS-2659-00

SQUARE CANOPY (CQW)

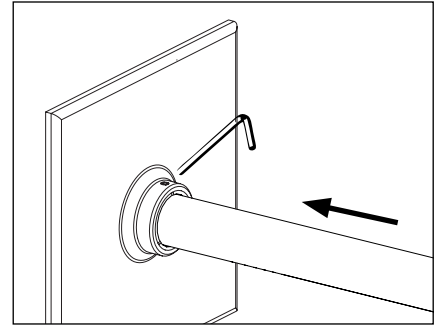


WIRING DIAGRAM

7. Make watertight connections using waterproof wire connectors as per lighting plan and NEC. Requirements will vary by fixture. See fixture instructions for details. **See wiring diagram.**



8. Place wiring and connections into junction box. Mount plate with mounting hardware (By Others) to junction box. Seal building envelope as per NEC.



9. Slide locking ring and canopy cover back until mounting plate is covered. Tighten set screw on locking ring using a 5/64" Allen wrench.

**IMPORTANT SAFETY INFORMATION LISTED ON REVERSE
READ, FOLLOW, AND SAVE ALL SAFETY AND INSTALLATION INSTRUCTIONS**



TEKA ILLUMINATION

40429 Brickyard Drive • Madera, CA 93636 • USA
559.438.5800 • FAX 559.438.5900
www.tekaillumination.com • info@tekaillumination.com

DATE
6-26-18

REFERENCE NUMBER
INS-2659-00