

Installation Instructions



TOOLS NEEDED:

- 1/8" Allen Wrench
- Waterproof Wire Connectors
- Adjustable Crescent Wrench

By Others

INSTRUCTIONS PERTAINING TO A RISK OF FIRE, OR INJURY TO PERSONS IMPORTANT SAFETY INSTRUCTIONS

Lighted fixture is HOT!

WARNING - To reduce the risk of FIRE OR INJURY TO PERSONS:

Turn off/unplug and allow to cool before replacing LED. Fixture gets HOT quickly! Contact only switch/plug when turning on. Do not touch hot lens, guard, or enclosure. Keep fixture away from materials that may burn. Do not operate the luminaire fitting with a missing or damaged shield. Do not touch the source at any time. Use a soft cloth or gloves. Oil from skin may cause damage.

SAVE THESE INSTRUCTIONS

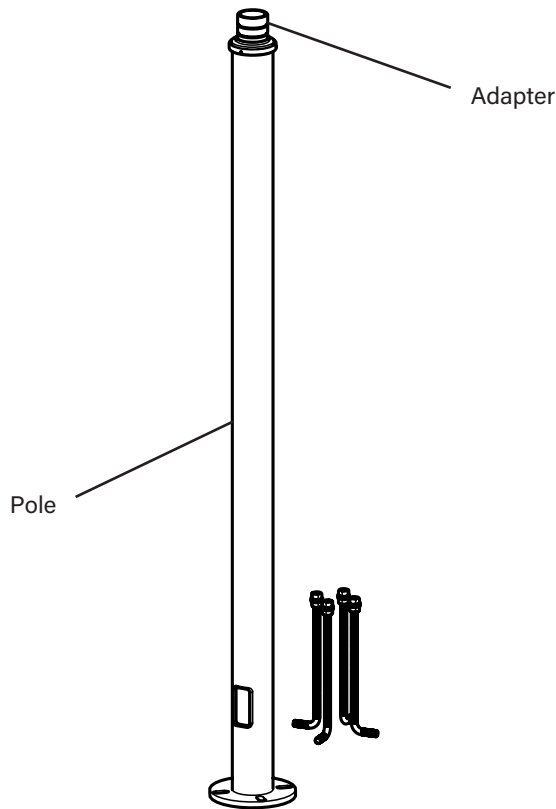
IMPORTANT SAFETY INFORMATION - READ, FOLLOW, AND SAVE ALL SAFETY AND INSTALLATION INSTRUCTIONS

- Product must be installed by a qualified person in a manner consistent with its intended use and in compliance with the National Electrical Code, Canadian Electrical Code, and all Local and Provincial Codes.
- Follow product label information and instructions.
- Qualified Personnel with appropriate personal protective equipment must perform all servicing of this product.
- Before wiring to power supply and during servicing, turn off and lock out power at fuse or circuit breaker before service.
- The use of accessory equipment not recommended by the manufacturer or installed contrary to instructions may cause an unsafe condition. The use of damaged components may cause an unsafe condition and void product warranty.
- Do not block light emanating from product in whole or part, as this may cause an unsafe condition.
- Never operate the fixture with missing or damaged lens. Lens must be cleaned on regular basis.
- Entire fixture may become extremely hot. Do not touch hot lens or fixture body.
- Replace LED assembly only with correct wattage and type of power supply appropriate for LED assembly.
- All gaskets, o-rings and sealing surfaces must be kept clean during installation and service; failure to do this may cause an unsafe condition and void product warranty.

IMPORTANT LISTINGS AND CERTIFICATIONS

Suitable for wet locations

5" Staigh Round Galvanized Steel Pole for use with Pole Top Fixtures



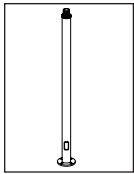
IMPORTANT SAFETY INFORMATION - READ, FOLLOW, AND SAVE THESE INSTALLATION INSTRUCTIONS

TEKA ILLUMINATION

40429 Brickyard Drive • Madera, CA 93636 • USA
559.438.5800 • FAX 559.438.5900
www.tekaillumination.com • info@tekaillumination.com

RELEASE DATE
07/14/2021

DRAWING NUMBER
SUB-2849-00



Installation Instructions

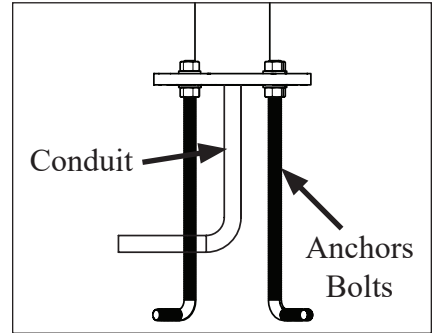
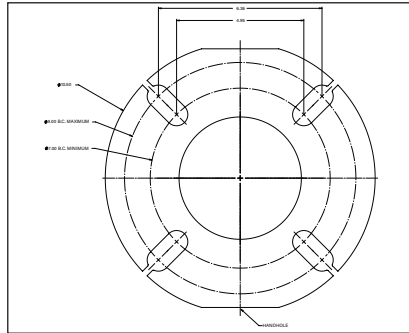
Phase 1 - Install Pole

Installation of pole.

1. Install pole according to lighting plan. Install conduit (by others) to be used with this product.
2. Pull wiring necessary for installation (by others.)

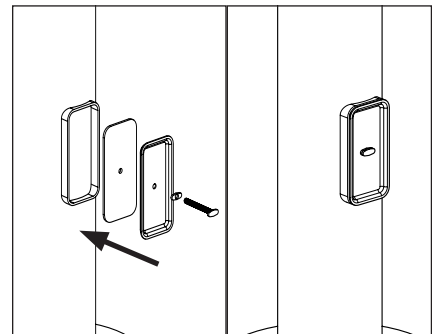
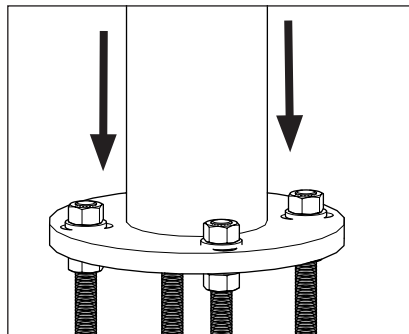
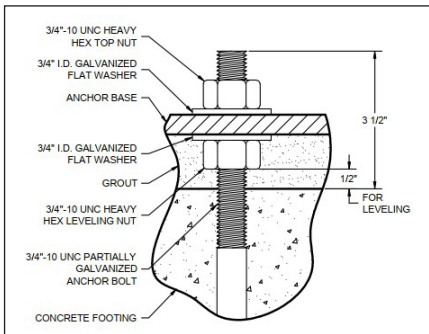
⚠ Leave sufficient wire length in the pole for future service.

⚠ Install as per NEC for location.

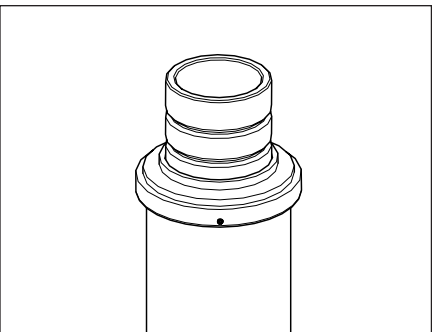
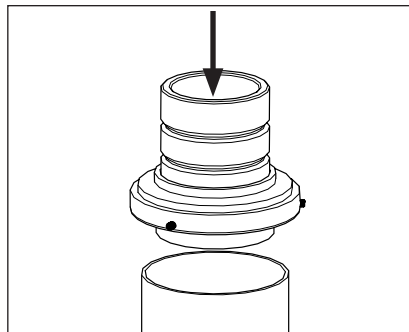
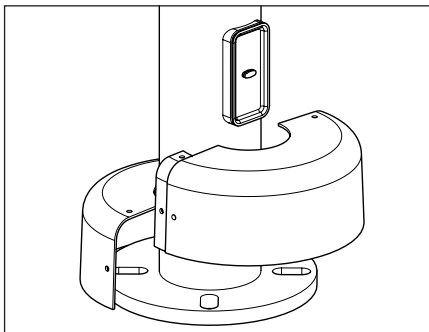


1. Mounting base is 10-1/2" round with a bolt circle of 9" to 7" in diameter.
2. Dig hole for conduit installation and deep enough for anchor bolts and concrete footing. See anchor bolt detail step.

Adequate drainage must be provided in concrete foundation or grout.



3. Install anchor bolts according to detail to allow pole leveling. Use caution when setting anchor bolts. Bolts must be vertically straight.
4. Secure pole base to anchor bolts using provided hardware with anchor bolt kit. Tighten securely to prevent hardware from loosening.
6. Close handhole using provided gasket and hardware to secure cover.



5. If pole comes with cover, place cover on the base of the pole. Secure using hardware provided with base cover.
7. Install tenon (provided with fixture ordered separately) onto pole top. Tighten the three (3) 1/4"-20 set screws using a 1/8" allen wrench until tenon is secured.

See fixture head (ordered separately) installation instructions for fixture installation and driver mounting.

IMPORTANT SAFETY INFORMATION LISTED ON REVERSE READ, FOLLOW, AND SAVE ALL SAFETY AND INSTALLATION INSTRUCTIONS

