

Installation Instructions



Warning



Hot Surface



High Voltage

TOOLS NEEDED:



Waterproof Wire Connectors



Screwdriver

By Others

INSTRUCTIONS PERTAINING TO A RISK OF FIRE, OR INJURY TO PERSONS IMPORTANT SAFETY INSTRUCTIONS

Lighted lamp is HOT!
WARNING - To reduce the risk of FIRE OR INJURY TO PERSONS:
 Turn off/unplug and allow to cool before replacing lamp.
 Lamp gets HOT quickly! Contact only switch/plug when turning on.

Do not touch hot lens, guard, or enclosure (see diagram/picture).

Keep lamp away from materials that may burn.
 Do not touch the lamp at any time. Use a soft cloth. Oil from skin may damage lamp.
 Do not operate the luminaire fitting with a missing or damaged shield.

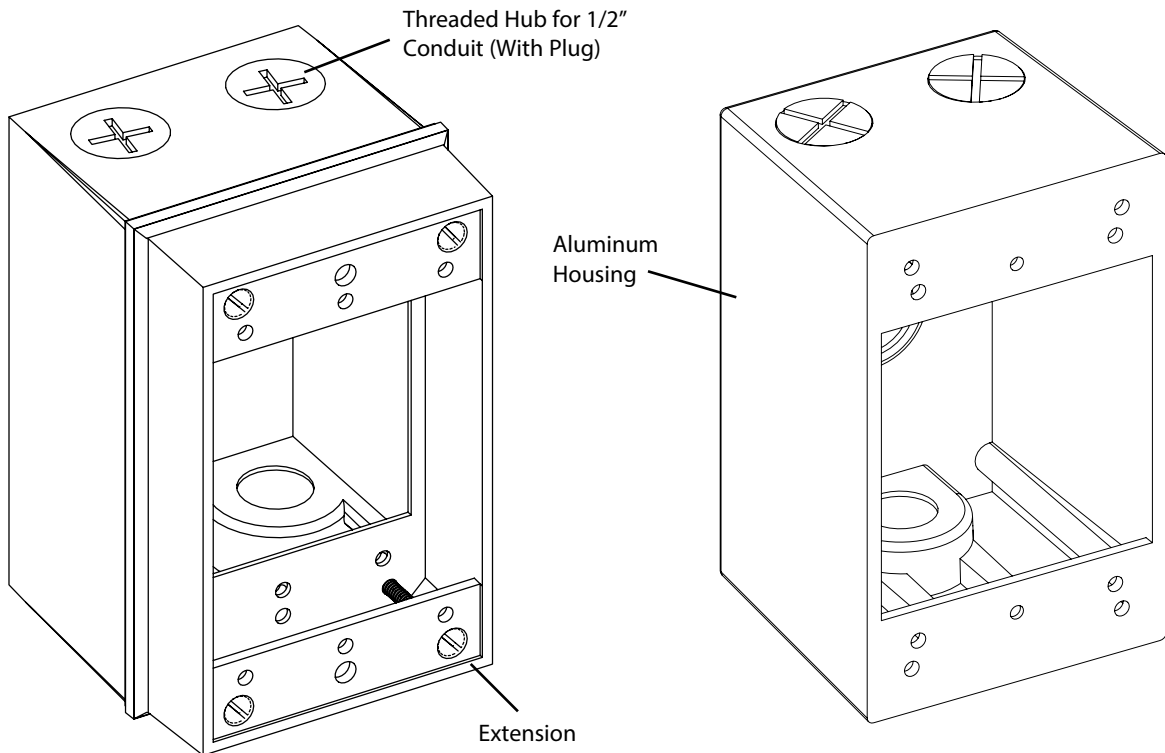
SAVE THESE INSTRUCTIONS

IMPORTANT SAFETY INFORMATION - READ, FOLLOW, AND SAVE ALL SAFETY AND INSTALLATION INSTRUCTIONS

- Product must be installed by a qualified person in a manner consistent with its intended use and in compliance with the National Electrical Code, Canadian Electrical Code, and all Local and Provincial Codes.
- Follow product label information and instructions.
- Qualified Personnel must perform all servicing or relamping of this product.
- Before wiring to power supply and during servicing or relamping, turn off power at fuse or circuit breaker before service.
- The use of accessory equipment not recommended by the manufacturer or installed contrary to instructions may cause an unsafe condition. The use of damaged components may cause an unsafe condition and void product warranty.
- Do not block light emanating from product in whole or part, as this may cause an unsafe condition.
- Never operate the fixture with missing or damaged lens. Lens must be cleaned on regular basis.
- Entire fixture may become extremely hot. Do not touch hot lens or fixture body. Do not touch the lamp at any time. Use a clean, dry, soft cloth to handle the lamp. Oil from skin may damage the lamp and cause it to rupture.
- Replace lamp only with correct wattage and type of lamp marked on fixture label.
- All gaskets, o-rings and sealing surfaces must be kept clean during installation and service; failure to do this may cause an unsafe condition and void product warranty.

IMPORTANT LISTINGS AND CERTIFICATIONS

- Suitable for wet location
- Additionally suitable for mounting within 4 ft. of the ground



MB2 with Extension (Specify Canopy, Cover and/or Fixture Separately)

MB2 (Specify Canopy, Cover and/or Fixture Separately)

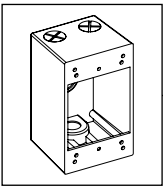
IMPORTANT SAFETY INFORMATION - READ, FOLLOW, AND SAVE THESE INSTALLATION INSTRUCTIONS

TEKA ILLUMINATION

40429 Brickyard Drive • Madera, CA 93636 • USA
 559.438.5800 • FAX 559.438.5900
 www.tekailumination.com • info@tekailumination.com

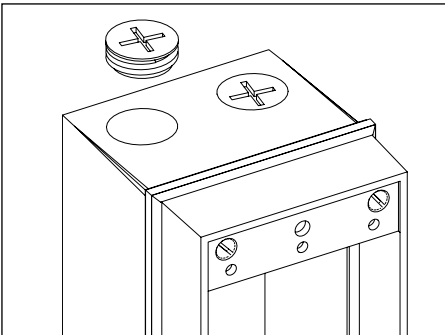
RELEASED
 9-8-17

REFERENCE NUMBER
 INS-2505-00

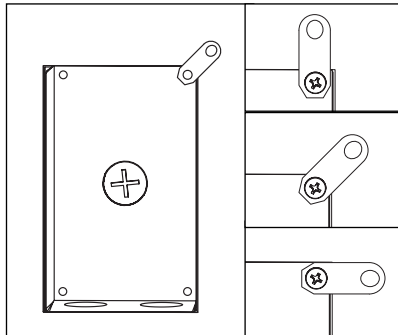


Installation Instructions

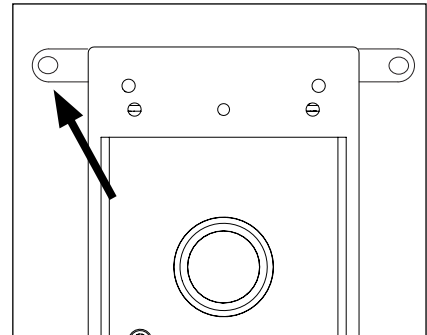
Installation



1. Remove canopy and/or fixture from MB2 housing. Ensure unused tapped holes are plugged to maintain seal. Plugs are provided.

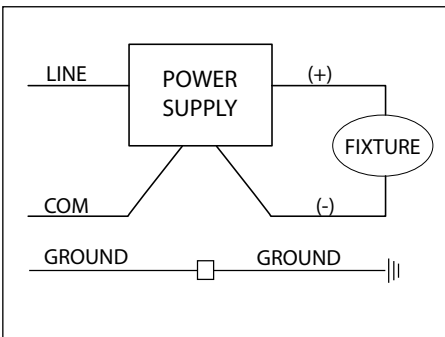


2. To prepare MB2 for mounting, align mounting brackets on back of box. Brackets can be aligned to vertical, horizontal or 45° orientation. Secure with mounting screw using screwdriver.



3. Mount MB2 box to surface using mounting hardware (Provided) using the mounting brackets attached to back of MB2 box.

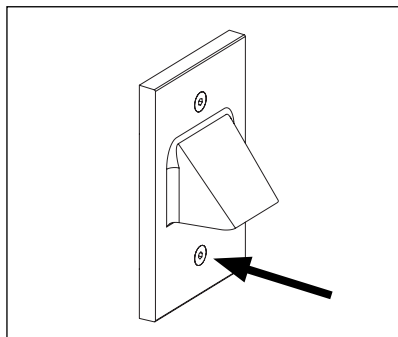
⚠ Alternative mounting methods may compromise integrity of MB2 against water intrusion and will void warranty.



WIRING DIAGRAM

4. Run conduit (By Others) to MB2 box location. Pull wiring to MB2 box location. Use waterproof wire connectors (By Others) to connect incoming primary wiring to power supply. Connect incoming ground wiring to ground conductor in housing. See wiring diagram.

⚠ NOTE: Surface conduit is a common entrance for water if not properly sealed. Seal connector threads and conduit with a suitable sealant (Teflon tape, adhesive, etc.). Sealing the conduit after knockouts are removed is required to maintain warranty.



5. Place wire connectors and/or power supply inside MB2 box, then secure canopy and/or fixture to MB2.

**IMPORTANT SAFETY INFORMATION LISTED ON REVERSE
READ, FOLLOW, AND SAVE ALL SAFETY AND INSTALLATION INSTRUCTIONS**

