

Low Voltage / **BKSSL**
BROAD AREA LIGHTING



Warning
Pointed edges are sharp

STAKE MOUNT JUNCTION BOX

TOOLS NEEDED:

- 5/64" Allen Wrench
- Wire connectors
(recommended silicone filled wire connectors)

By Others

INSTRUCTIONS PERTAINING TO A RISK OF FIRE, OR INJURY TO PERSONS IMPORTANT SAFETY INSTRUCTIONS

Lighted lamp is HOT!
WARNING - To reduce the risk of FIRE OR INJURY TO PERSONS:
 Turn off/unplug and allow to cool before replacing lamp.
 Lamp gets HOT quickly! Contact only switch/plug when turning on.
 Do not touch hot lens, guard, or enclosure (see diagram/picture).
 Keep lamp away from materials that may burn.
 Do not touch the lamp at any time. Use a soft cloth. Oil from skin may damage lamp.
 Do not operate the luminaire fitting with a missing or damaged shield.

SAVE THESE INSTRUCTIONS

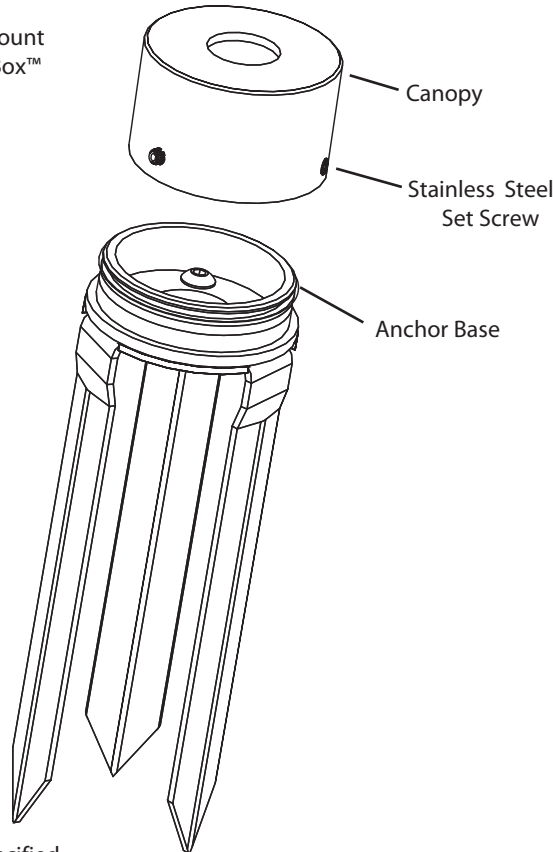
IMPORTANT SAFETY INFORMATION - READ, FOLLOW, AND SAVE ALL SAFETY AND INSTALLATION INSTRUCTIONS

- Product must be installed by a qualified person in a manner consistent with its intended use and in compliance with the National Electrical Code, Canadian Electrical Code, and all Local and Provincial Codes.
- Follow product label information and instructions.
- Qualified Personnel must perform all servicing or relamping of this product.
- Before wiring to power supply and during servicing or relamping, turn off power at fuse or circuit breaker before service.
- The use of accessory equipment not recommended by the manufacturer or installed contrary to instructions may cause an unsafe condition. The use of damaged components may cause an unsafe condition and void product warranty.
- Do not block light emanating from product in whole or part, as this may cause an unsafe condition.
- Never operate the fixture with missing or damaged lens. Lens must be cleaned on regular basis.
- Entire fixture may become extremely hot. Do not touch hot lens or fixture body. Do not touch the lamp at any time. Use a clean, dry, soft cloth to handle the lamp. Oil from skin may damage the lamp and cause it to rupture.
- Replace lamp only with correct wattage and type of lamp marked on fixture label.
- All gaskets, o-rings and sealing surfaces must be kept clean during installation and service; failure to do this may cause an unsafe condition and void product warranty.

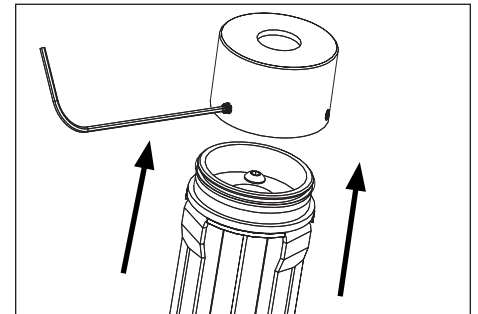
IMPORTANT LISTINGS AND CERTIFICATIONS

- Suitable for wet locations

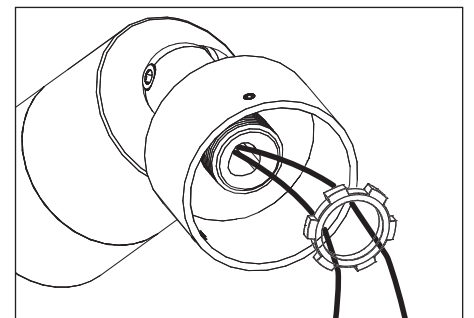
**KMJ- Stake Mount
Junction Box™**



Fixture is specified separately



1. Use 5/64" Allen wrench loosen three (3) #8-32 stainless steel set screws (do not remove set screws from canopy). Remove canopy from stake.



2. Mount fixture onto canopy by securing 1/2" NPS stem with provided locknut.

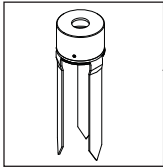
IMPORTANT SAFETY INFORMATION - READ, FOLLOW, AND SAVE THESE INSTALLATION INSTRUCTIONS

TEKA ILLUMINATION

40429 Brickyard Drive • Madera, CA 93636 • USA
 559.438.5800 • FAX 559.438.5900
 www.bklighting.com • info@bklighting.com

RELEASED
 7-26-12

REFERENCE NUMBER
 INS001291.1

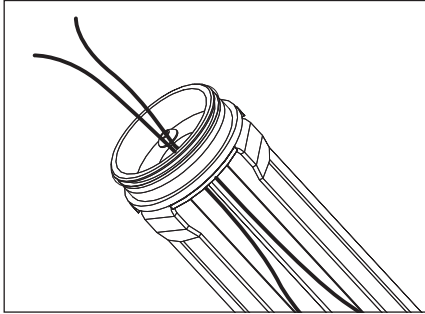


Low Voltage / **BKSSL**
BROAD KINETIC LIGHTING

STAKE MOUNT JUNCTION BOX

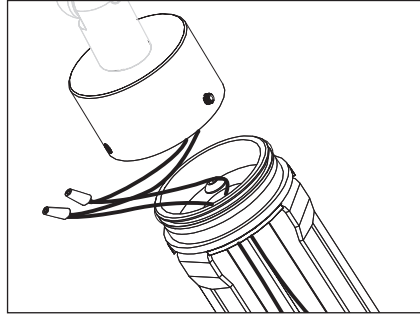
PROJECT: _____

TYPE: _____



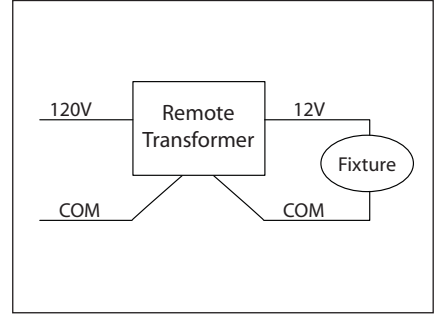
3. Pull low voltage wiring from remote 12V transformer (By Others) through the center of the anchor base and stake assembly.

⚠ NOTE: Allow sufficient excess of low voltage direct burial cable to accommodate seasonal planting schedule.

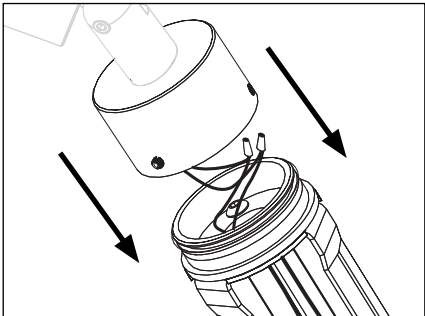


4. Make two connections from remote 12V transformer to fixture source leads using proper wire connectors (By Others). See wiring diagram.

⚠ NOTE: Contractor responsible for executing water tight splice.



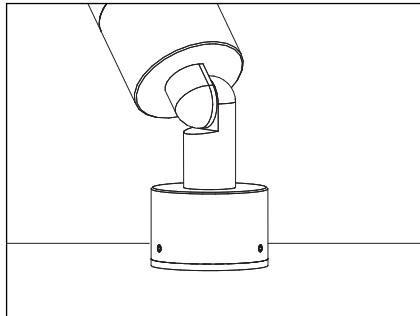
Wiring diagram.



5. Place canopy onto stake and press firmly until the two pieces are fully seated.

6. Tighten the three (3) #8-32 stainless steel set screws on canopy with 5/64" Allen wrench.

⚠ Warning: Do not over tighten set screw. Doing so will compromise O Ring seal and will void warranty.



7. Insert fixture according to desired lighting plan.

**IMPORTANT SAFETY INFORMATION LISTED ON REVERSE
READ, FOLLOW, AND SAVE ALL SAFETY AND INSTALLATION INSTRUCTIONS**