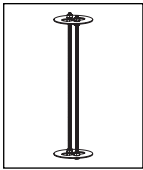


#33 Anchor Kit



Installation Instructions



Warning



Wear Gloves



High Voltage

NEEDED
FOR
INSTALLATION:

By Others



Mounting Hardware

7/16" Wrench



IMPORTANT - WEAR GLOVES TO AVOID GETTING FINGERPRINTS ON THIS PRODUCT. MANY TEKA ILLUMINATION PRODUCTS ARE DESIGNED TO NATURALLY PATINA. OILS FROM YOUR SKIN WILL ACCELERATE THIS PROCESS WHERE TOUCHED AND ARE NEARLY IMPOSSIBLE TO REMOVE. THIS PROCESS OCCURS OVER TIME AND IS DETERMINED BY THE INSTALLATION ENVIRONMENT.

INSTRUCTIONS PERTAINING TO A RISK OF FIRE, OR INJURY TO PERSONS IMPORTANT SAFETY INSTRUCTIONS

Lighted lamp is HOT!
WARNING - To reduce the risk of FIRE OR INJURY TO PERSONS:
 Turn off/unplug and allow to cool before replacing lamp. Lamp gets HOT quickly! Contact only switch/plug when turning on.
 Do not touch hot lens, guard, or enclosure (see diagram/picture).
 Keep lamp away from materials that may burn. Do not touch the lamp at any time. Use a soft cloth. Oil from skin may damage lamp.
 Do not operate the luminaire fitting with a missing or damaged shield.

SAVE THESE INSTRUCTIONS

IMPORTANT SAFETY INFORMATION - READ, FOLLOW, AND SAVE ALL SAFETY AND INSTALLATION INSTRUCTIONS

- Product must be installed by a qualified person in a manner consistent with its intended use and in compliance with the National Electrical Code, Canadian Electrical Code, and all Local and Provincial Codes.
- Follow product label information and instructions.
- Qualified Personnel must perform all servicing or relamping of this product.
- Before wiring to power supply and during servicing or relamping, turn off power at fuse or circuit breaker before service.
- The use of accessory equipment not recommended by the manufacturer or installed contrary to instructions may cause an unsafe condition. The use of damaged components may cause an unsafe condition and void product warranty.
- Do not block light emanating from product in whole or part, as this may cause an unsafe condition.
- Never operate the fixture with missing or damaged lens. Lens must be cleaned on regular basis.
- Entire fixture may become extremely hot. Do not touch hot lens or fixture body. Do not touch the lamp at any time. Use a clean, dry, soft cloth to handle the lamp. Oil from skin may damage the lamp and cause it to rupture.
- Replace lamp only with correct wattage and type of lamp marked on fixture label.
- All gaskets, o-rings and sealing surfaces must be kept clean during installation and service; failure to do this may cause an unsafe condition and void product warranty.

IMPORTANT LISTINGS AND CERTIFICATIONS

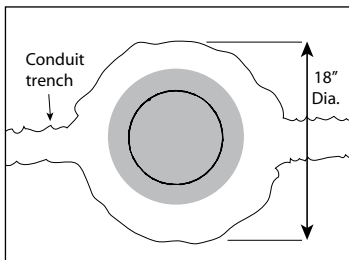
- Suitable for wet locations

Proper soil preparation is recommended before installation. See the DIG-IT guide at www.bklighting.com/dig-it for more information.

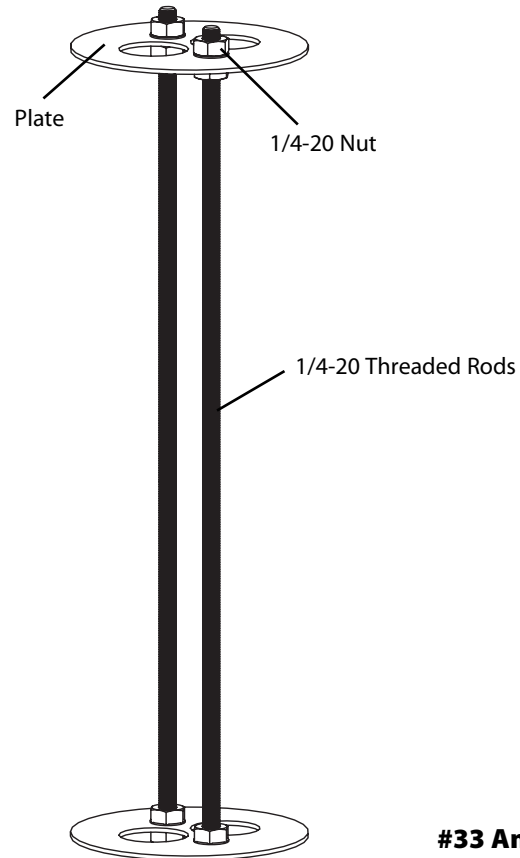
Soil Prep



A. Determine Soil Type by referencing DIG-IT Guide. Prep soil according to DIG-IT Guide.



B. Excavate a hole to the necessary dimensions for fixture placement and conduit runs.



#33 Anchor Kit

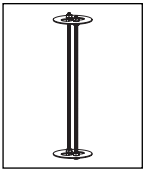
TEKA ILLUMINATION

40429 Brickyard Drive • Madera, CA 93636 • USA
 559.438.5800 • FAX 559.438.5900
www.tekaillumination.com • info@tekaillumination.com

DATE
8-24-15

REFERENCE NUMBER
INS-2432-00

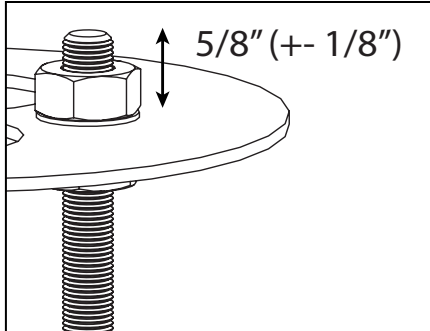
THIS DOCUMENT CONTAINS PROPRIETARY INFORMATION OF TEKA ILLUMINATION AND ITS RECEIPT OR POSSESSION DOES NOT CONVEY ANY RIGHTS TO REPRODUCE, DISCLOSE ITS CONTENTS, OR TO MANUFACTURE, USE OR SELL ANYTHING IT MAY DESCRIBE. REPRODUCTION, DISCLOSURE OR USE WITHOUT SPECIFIC WRITTEN AUTHORIZATION OF TEKA ILLUMINATION IS STRICTLY FORBIDDEN.



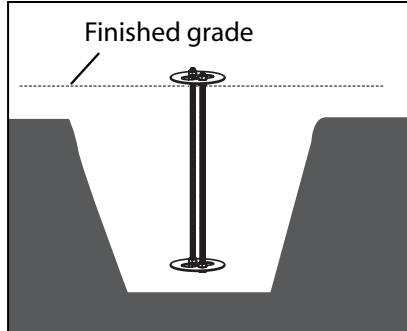
#33 Anchor Kit

Installation Instructions

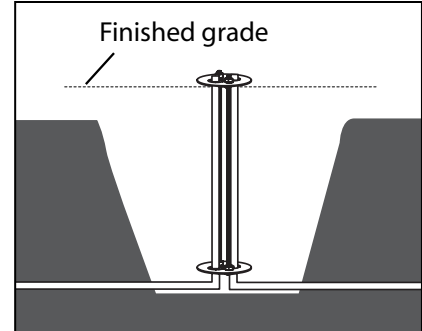
Anchor #33 Installation



1. Adjusted anchor rods to project no more than 5/8" with a variance of + or - 1/8" above the anchor plate after installation. The two (2) 1/4-20 nuts on top of the plate may be left in place while concrete is poured.

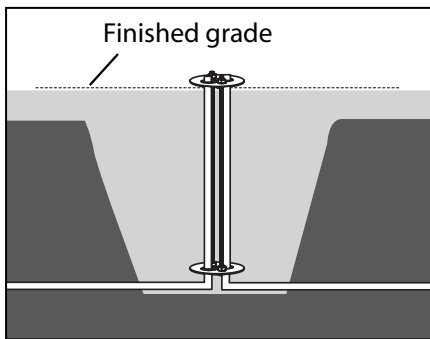


2. Install anchor plate and bolt assembly flush and level with the finished grade.

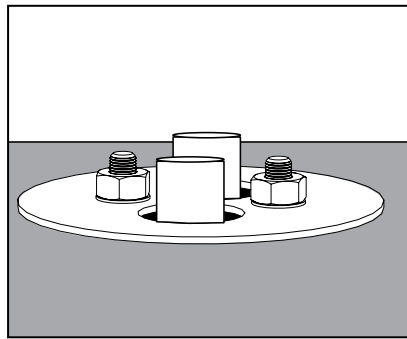


3. Run conduit inside of the anchor plate center holes prior to pouring concrete. Conduit installation through bottom plate is optional.

⚠ The conduit may project above the finished surface of the concrete by 1" maximum.



4. With the conduits in place and the anchor plate properly positioned, secured and leveled, concrete may be poured.



5. The fixture may be installed by removing the two (2) 1/4-20 nuts and re-using them with a 7/16" wrench to secure the fixture mounting base assembly. See fixture installation sheet(s) for additional information.

**IMPORTANT SAFETY INFORMATION LISTED ON REVERSE
READ, FOLLOW, AND SAVE ALL SAFETY AND INSTALLATION INSTRUCTIONS**



TEKA ILLUMINATION

40429 Brickyard Drive • Madera, CA 93636 • USA
559.438.5800 • FAX 559.438.5900
www.tekailumination.com • info@tekailumination.com

DATE
8-24-15

REFERENCE NUMBER
INS-2432-00