

DATE:	PROJECT:	TYPE:
-------	----------	-------

CATALOG NUMBER LOGIC:



CATALOG NUMBER LOGIC

Example: CRW - BZW

MATERIAL

(Blank) - Aluminum C - Copper

SERIES

CRW - 5" Round Canopy*

FINISH (See page 2 for full-color swatches)

Standard Finishes (BZP, BZW, BLP, BLW, WHP, WHW, SAP, VER)

Premium Finish (ABP, AMG, AQW, BCM, BGE, BPP, CAP, CMG, CRM, HUG, NBP, OCP, RMG, SDS, SMG, TXF, WCP, WIR)

Also available in RAL Finishes

Copper Finishes (NAT, BP, GP)

OPTION

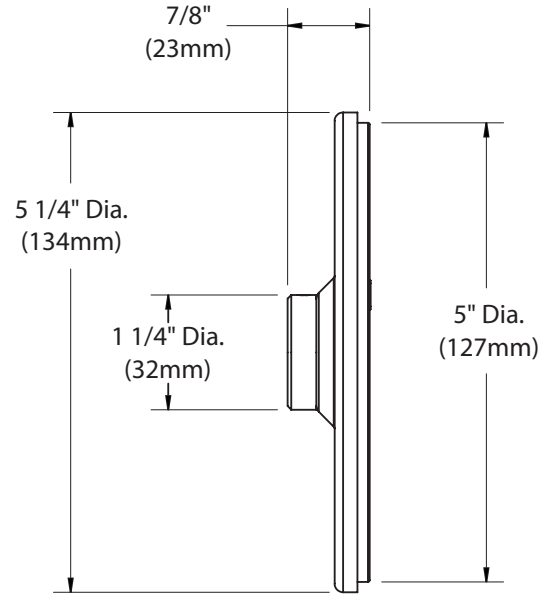
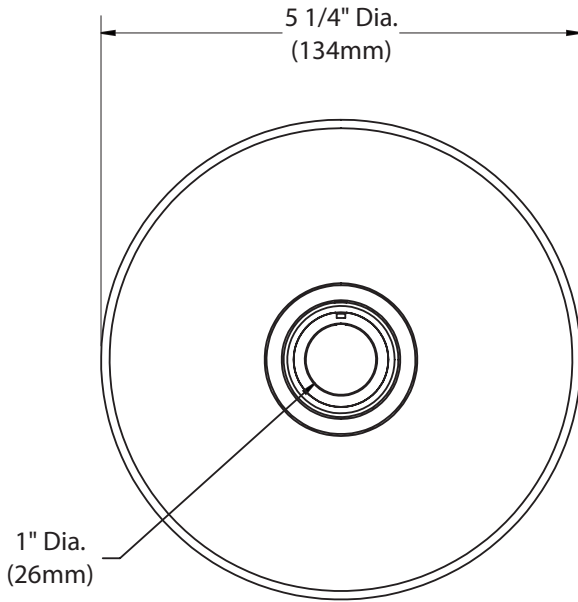
CLR - Clear Coat Protection (Available on NAT finish only)

**For use with TEKA Illumination floodlights.*

DATE:

PROJECT:

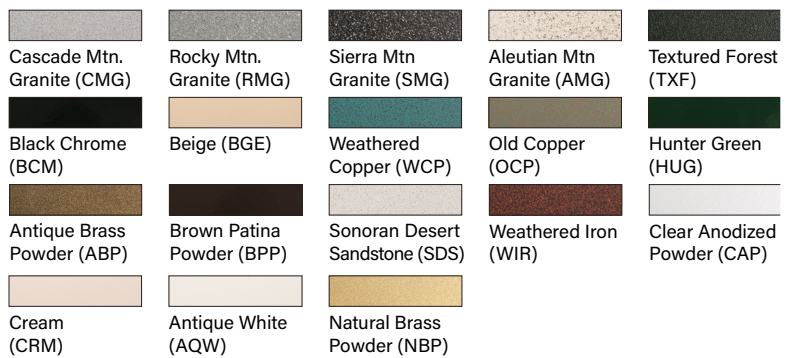
TYPE:



STANDARD FINISHES



PREMIUM FINISHES



[Click Here](#) to view larger, full-color swatches of all available finishes on our website.

DATE:	PROJECT:	TYPE:
-------	----------	-------

ACCESSORIES (Configure separately)

SPECIFICATIONS

PHYSICAL	MATERIALS	<p>Copper and Brass: Constructed from copper and brass. These enduring metals are inherently corrosion resistant.</p> <p>Aluminum: Constructed from Copper-Free aluminum (ASTM 3003-H14).</p>
	CANOPY	<p>Canopy Cover conceals mounting plate and hardware. Material is hand spun from high purity, solid copper plate or Copper-Free Aluminum with tamper resistant 6061-T6 machined aluminum or 360 brass lock collar. 1" Dia. Slip Hole for use with 1/2" NPS threads. For use with TEKA fixtures with 1" OD stems only.</p>
	INSTALLATION	<p>5" diameter, machined aluminum mounting plate with black finish. For use with 4" octagonal junction box (not included).</p>
	FINISH	<p>Copper and Brass: Natural (NAT): Copper and brass components are sand blasted to expose the porous metal surface. Over time, and with exposure to the elements, the metals will naturally 'weather' resulting in a unique patina.</p> <p>Also available with hand-crafted metal finishes including brown patina (BP) and green patina (GP).</p> <p>Copper and brass components are also available in powder coat finishes.</p> <p>Optional ceramic clear coat protection (copper and brass components only) seals and protects underlying metals and protects against discoloration, fading, and wear. Highly impervious to chemicals, solvents, and graffiti. For use with natural (NAT) finish.</p> <p>Aluminum: StarGuard®, our exclusive RoHS compliant, 15 stage chromate-free process cleans and conversion coats aluminum components prior to application of Class 'A' TGIC polyester powder coating.</p>
	WARRANTY LISTINGS	<p>5 year limited warranty.</p> <p>Suitable for indoor and outdoor use. RoHS compliant. Made in USA.</p>

