

DATE:	PROJECT:	TYPE:
-------	----------	-------

CATALOG NUMBER LOGIC:



CATALOG NUMBER LOGIC

Example: HP2RM - D12INC - BZW - MT - GM-R

MATERIAL

(Blank) - Aluminum B - Brass S - Stainless Steel

SERIES

HP2RM - Remote In-grade (Flush)

DRIVER TYPE*

D12INC - 27W Dimming Driver

FINISH (See page 2 for full-color swatches)

Standard Finishes (BZP, BZW, BLP, BLW, WHP, WHW, SAP, VER)

Premium Finish (ABP, AMG, AQW, BCM, BGE, BPP, CAP, CMG, CRM, HUG, NBP, OCP, RMG, SDS, SMG, TXF, WCP, WIR)

(Also available in RAL Finishes. See submittal SUB-1439-00)

Brass Finishes (MAC, POL, MIT)

Stainless Steel Finishes (MAC, POL)

INPUT VOLTAGE

MT - 120-277 VAC

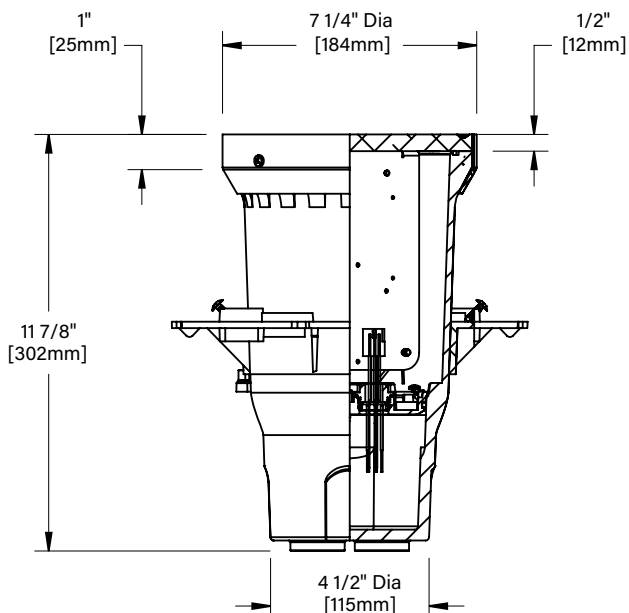
OPTIONS

GM-R - Round Grout Mask

GM-S - Square Grout Mask

**Driver wattage must match fixture wattage.*

DATE: _____ PROJECT: _____ TYPE: _____



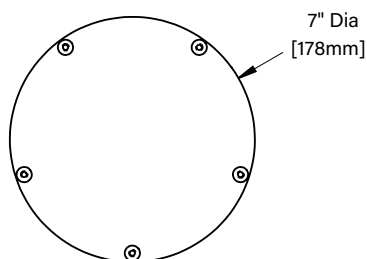
! REMOTE WIRING

LED Driver

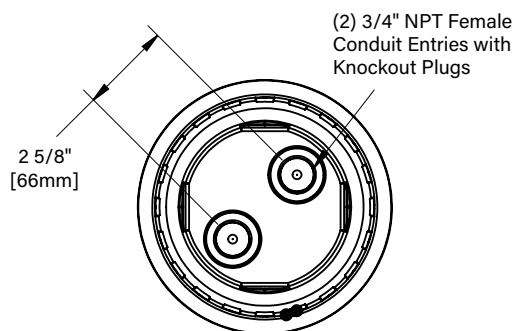
Remote driver installations require inter-connected wiring between the LED and driver (by others). Drivers have specific wiring requirements between these components. Driver manufacturers regularly recommend the following wiring details for such installations:

- Do not exceed 50 foot overall wiring distance using 12 gauge copper wire.

Failure to comply with specific wiring requirements will void product warranty.



FACEPLATE VIEW

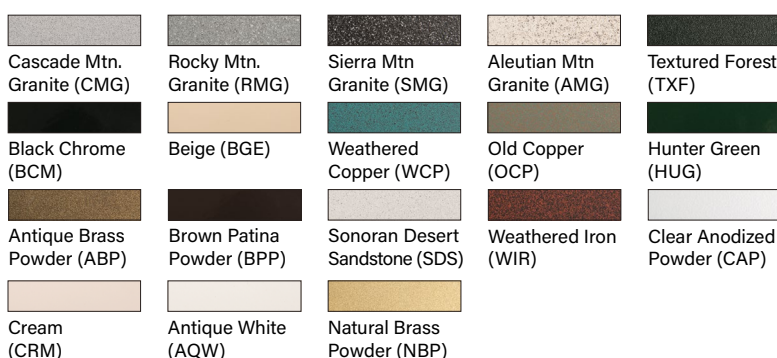


BOTTOM VIEW

STANDARD FINISHES



PREMIUM FINISHES



[Click Here](#) to view larger, full-color swatches of all available finishes on our website.

DATE:	PROJECT:	TYPE:
-------	----------	-------

ACCESSORIES (Configure separately)

SPECIFICATIONS

ELECTRICAL	WIRING / CONNECTORS	Teflon® coated wire, 18 gauge, 600V, 250°C rated and certified to UL1659 standard. Gear tray quick disconnects. Patented HydroLock® with anti-siphon valve (ASV™) wireway. (5) Water-tight connectors supplied for branch circuit and lamp connection. Maximum (2) #10 & (1) #18. Minimum (1) #12 & (1) #18 per connector.
	DRIVER (27W)	For use with [1] 700mA (D27), Class A, constant current driver. 120- 277VAC (nominal) primary input voltage. 50/60Hz. >0.94 Power Factor, <15.0A in-rush current, 0.25A input current, ≤20%THD (nominal at 120VAC full load). Output over-voltage, over-current, and short circuit protection with auto recovery. EMC: FCC47CFR Part 15 Class B compliant. Dimming driver for use with standard incandescent dimmers. 10-100% range. Driver Wattage must match Fixture Wattage.
PHYSICAL	MATERIALS	Furnished in Copper-Free Aluminum (Type 6061-T6), Brass (Type 360) or Stainless Steel (Type 304).
	FACEPLATE	Solid, 1/2" machined faceplate with (5) black oxidized, captive, stainless steel mounting screws. Faceplate installs flush to grade.
	HOUSING	Corrosion-free composite, made from high strength, thermo-formed, sheet molded polyester compound. Glass reinforced, flame retardant and UV stabilized. (2) Bottom-Entry, 3/4" NPT female conduit entries with knockout plugs and (4) side flats for 1/2" or 3/4" conduit adapters.
	STABILITY FLANGE	Patented, corrosion-free composite flange projects into installation sub-strate to reinforce housing stability. Integral REBAR saddles simplify installation onto concrete form. (4) Orthogonal bosses permit use of 1/2" PVC conduit or EMT to simplify vertical position and leveling of housing. Pre-set self-tapping screws anchor housing at proper elevation.
	INSTALLATION	Integral, copper-free aluminum concrete pour collar (CPC), furnished in Black finish, permits for direct burial installation in soil or concrete. Consult Drainage Installation Guide for In-Grade Fixtures (DIG-IT) for compliance with proper soil preparation and drainage requirements prior to installation. For use with remote fixture (specified separately). Suitable for walk-over and drive-over applications to 35,000 lbs.
	WATER MANAGEMENT	IP-68 rated, vacuum sealed enclosure. Patented Anti-Condensation Valve (ACV™) eliminates condensation from ballast chamber. High temperature silicone 'O' Ring at faceplate. Patented HydroLock® technology provides fail safe water barrier between junction box and interior components. Anti-siphon valve (ASV™) prevents "wicking" through conductor insulation.
	FINISH	StarGuard®, our exclusive RoHs compliant, 15 stage chromate-free process cleans and conversion coats aluminum components prior to application of Class 'A' TGIC polyester powder coating. Brass components are available in powder coat or handcrafted metal finish. Stainless steel components are available in handcrafted metal finish. (Brushed finish for interior use only).
	WARRANTY	5 year limited warranty.
	LISTINGS	IP-68 Rated Enclosure. UL Listed. Certified to CAN/CSA/ANSI Standards. RoHs compliant. Made in USA.

