

# PM2RM REMOTE DRIVER HOUSING (TREE STRAP)

ORDER FIXTURE SEPARATELY.

DATE:	PROJECT:	TYPE:
-------	----------	-------

CATALOG NUMBER LOGIC:



## CATALOG NUMBER LOGIC

Example: PM2RM - TSC-18 - D12INC - SAP - MT - MB

## MATERIAL

Aluminum

## SERIES

PM2RM - Universal Power Module 2 Remote

## MOUNTING

TS-Length - Tree Strap (Specify adjustable strap length) 18" Standard Min.

## DRIVER TYPE\*

D27INC - 27W Dimming Driver

## FINISH (See page 2 for full-color swatches)

Standard Finishes (BZP, BZW, BLP, BLW, WHP, WHW, SAP, VER)

Premium Finish (ABP, AMG, AQW, BCM, BGE, BPP, CAP, CMG, CRM, HUG, NBP, OCP, RMG, SDS, SMG, TXF, WCP, WIR)

(Also available in RAL Finishes. See submittal SUB-1439-00)

## INPUT VOLTAGE

MT - 120-277 VAC

## OPTIONS

SC - Safety Cable for use with Tree Strap Mount. Cable length to match strap length. 18" Standard Min.

MB - Mounting Brackets (Standard on Surface Mount)

\*Driver wattage must match fixture wattage.

TEKA ILLUMINATION

MADE IN THE USA

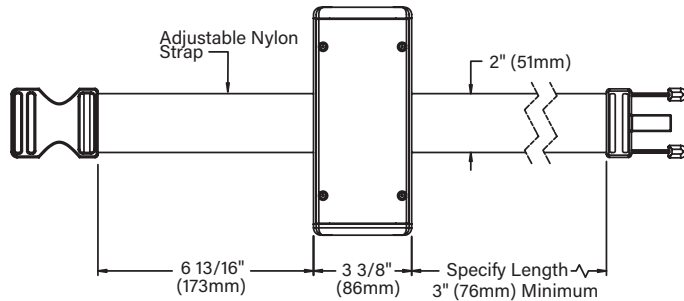
559.438.5800 | INFO@TEKAILLUMINATION.COM | TEKAILLUMINATION.COM

THIS DOCUMENT CONTAINS PROPRIETARY INFORMATION OF TEKA ILLUMINATION AND ITS RECEIPT OR POSSESSION DOES NOT CONVEY ANY RIGHTS TO REPRODUCE, DISCLOSE ITS CONTENTS, OR TO MANUFACTURE, USE OR SELL ANYTHING IT MAY DESCRIBE. REPRODUCTION, DISCLOSURE OR USE WITHOUT SPECIFIC WRITTEN AUTHORIZATION OF TEKA ILLUMINATION IS STRICTLY FORBIDDEN.

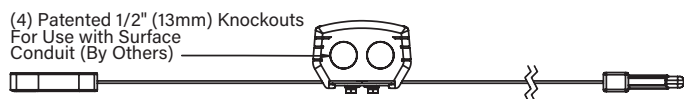
08/22/2022 SKU-1253 P1  
SUB-2637-00

DATE: \_\_\_\_\_ PROJECT: \_\_\_\_\_ TYPE: \_\_\_\_\_

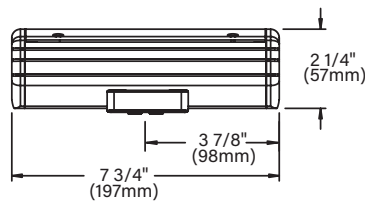
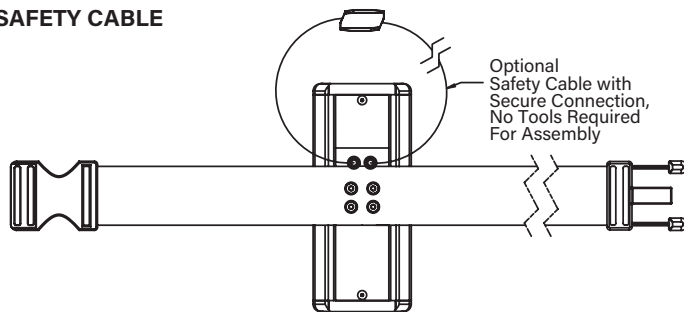
**FRONT VIEW**



**END VIEW**



**SAFETY CABLE**



**SIDE VIEW**

**! REMOTE WIRING**

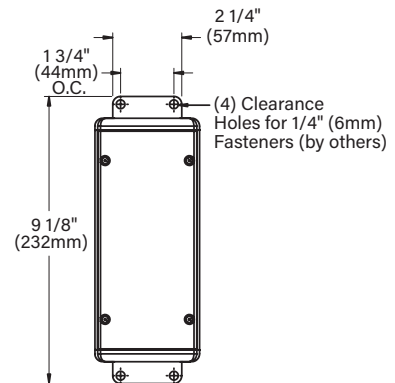
**Electronic Transformer**

Remote transformer installations require inter-connected wiring between the lamp and transformer (by others). Electronic transformers have specific wiring requirements between these components. Transformer manufacturers regularly recommend the following wiring details for such installations:

- Do not exceed 8 foot overall wiring distance using 12 gauge copper wire.

Please consult the factory through your local B-K Lighting Sales Representative prior to finalizing any installation detail utilizing remote transformer wiring.

**Failure to comply with specific wiring requirements will void product warranty.**

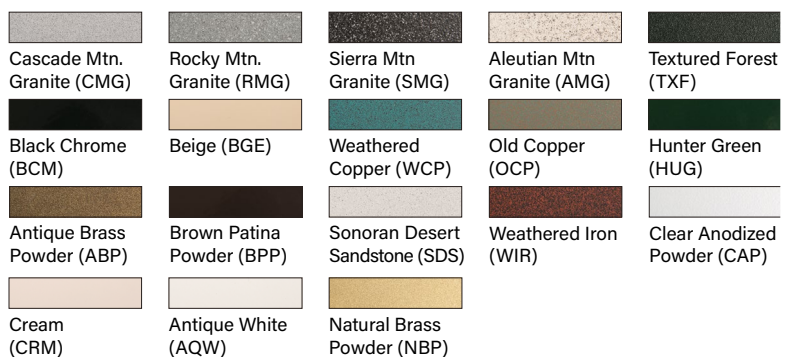


**OPTIONAL MOUNTING BRACKET**

**STANDARD FINISHES**



**PREMIUM FINISHES**



[Click Here](#) to view larger, full-color swatches of all available finishes on our website.

DATE:	PROJECT:	TYPE:
-------	----------	-------

ACCESSORIES (Configure separately)

## SPECIFICATIONS

ELECTRICAL	DRIVER (27W)	<p>For use with 700mA (D27), Class A, constant current driver. 120-277VAC (nominal) primary input voltage. 50/60Hz. &gt;0.94 Power Factor, &lt;10.0A in-rush current, 0.25A input current, ≤5%THD (nominal at 120VAC full load). Output over-voltage, over-current, and short circuit protection with auto recovery. EMC: FCC47CFR Part 15 Class B compliant. Driver wattage must match fixture wattage.</p> <p>Dimming driver for use with standard incandescent dimmers. 10-100% range.</p>
PHYSICAL	TREE INSTALLATION	<p>Tree Strap mounting system facilitates non-invasive installation. Adjustable nylon strap is mold and mildew resistant and will not hinder tree growth. Optional stainless steel safety cable maintains UPM mounting when nylon strap is disengaged.</p>
	HOUSING	<p>Copper free, aluminum extrusion with die cast end caps. Surface mounted with flow through back channel to prevent water and debris collection. Machined aluminum cover with countersunk holes for flush hardware installation. Tamper-resistant, captive, black oxide stainless steel mounting screws. Front access for ease of installation and inspection. [2] 1/2" NPT female conduit entries per end cap for through wiring.</p>
	INSTALLATION TETHER	<p>Stainless steel cable with integral loop allows cover to temporarily suspend from housing during installation to simplify wire connection and component attachment.</p>
	PATENTED KNOCKOUTS	<p>[4] 1/2" NPT, machined aluminum knockouts. High temperature, silicone 'O' Ring for water-tight seal. Patented design allows knockout to be reinserted without compromising seal integrity.</p>
	FINISH	<p>StarGuard®, our exclusive RoHs compliant, 15 stage chromate-free process cleans and conversion coats aluminum components prior to application of Class 'A' TGIC polyester powder coating.</p>
	WARRANTY	<p>5 year limited warranty.</p>
	LISTINGS	<p>NEMA 4X / IP-66 Rated Enclosure. UL Listed. Certified to CAN/CSA/ANSI Standards. RoHs compliant. Made in USA.</p>



# PM2RM REMOTE DRIVER HOUSING (SURFACE MOUNT)

ORDER FIXTURE SEPARATELY.

DATE:

PROJECT:

TYPE:

CATALOG NUMBER LOGIC:



## CATALOG NUMBER LOGIC

Example: PM2RM - SM - D12INC - SAP - MT

## MATERIAL

Aluminum

## SERIES

PM2RM - Universal Power Module 2 Remote

## MOUNTING

SM - Surface Mount

## DRIVER TYPE\*

D27INC - 27W Dimming Driver

## FINISH (See page 2 for full-color swatches)

Standard Finishes (BZP, BZW, BLP, BLW, WHP, WHW, SAP, VER)

Premium Finish (ABP, AMG, AQW, BCM, BGE, BPP, CAP, CMG, CRM, HUG, NBP, OCP, RMG, SDS, SMG, TXF, WCP, WIR)

(Also available in RAL Finishes. See submittal SUB-1439-00)

## INPUT VOLTAGE

MT - 120-277 VAC

*\*Driver wattage must match fixture wattage.*

TEKA ILLUMINATION

MADE IN THE USA

559.438.5800 | INFO@TEKAILLUMINATION.COM | TEKAILLUMINATION.COM

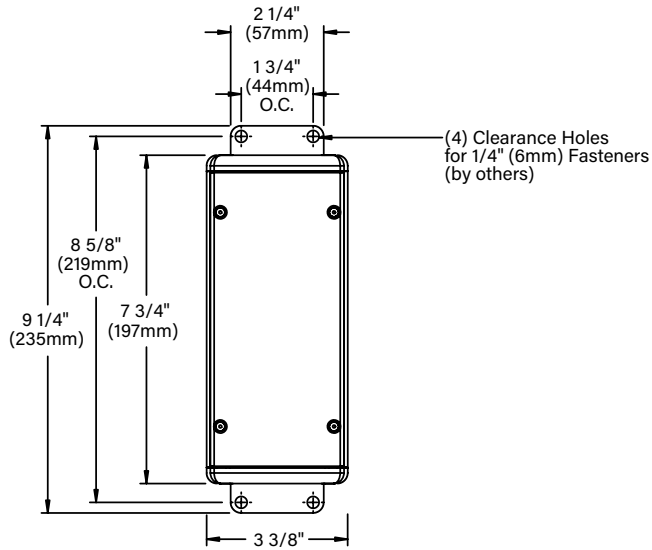
THIS DOCUMENT CONTAINS PROPRIETARY INFORMATION OF TEKA ILLUMINATION AND ITS RECEIPT OR POSSESSION DOES NOT CONVEY ANY RIGHTS TO REPRODUCE, DISCLOSE ITS CONTENTS, OR TO MANUFACTURE, USE OR SELL ANYTHING IT MAY DESCRIBE. REPRODUCTION, DISCLOSURE OR USE WITHOUT SPECIFIC WRITTEN AUTHORIZATION OF TEKA ILLUMINATION IS STRICTLY FORBIDDEN.

08/22/2022 SKU-1253 P2  
SUB-2638-00

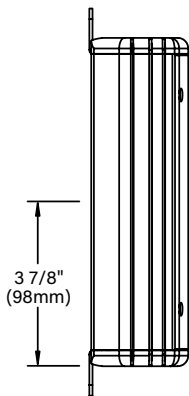
DATE:

PROJECT:

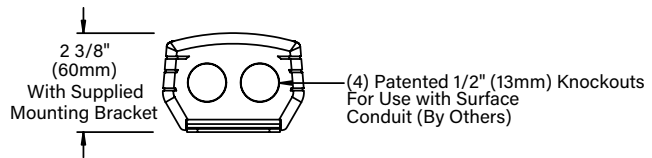
TYPE:



TOP VIEW



SIDE VIEW



END VIEW

## ⚠ REMOTE WIRING

### Electronic Transformer

Remote transformer installations require interconnected wiring between the lamp and transformer (by others). Electronic transformers have specific wiring requirements between these components. Transformer manufacturers regularly recommend the following wiring details for such installations:

- Do not exceed 8 foot overall wiring distance using 12 gauge copper wire.

Please consult the factory through your local B-K Lighting Sales Representative prior to finalizing any installation detail utilizing remote transformer wiring.

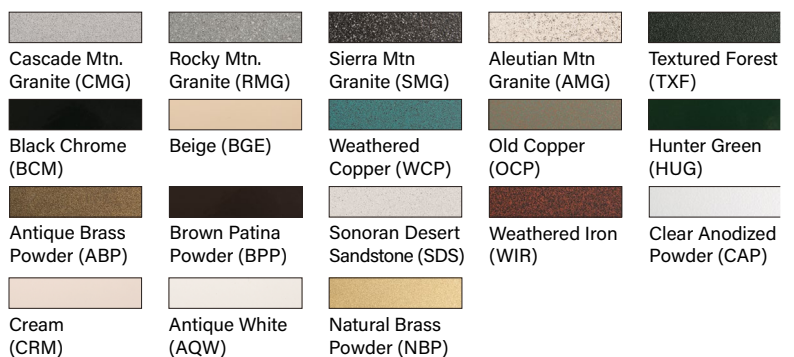
**Failure to comply with specific wiring requirements will void product warranty.**

### STANDARD FINISHES



[Click Here](#) to view larger, full-color swatches of all available finishes on our website.

### PREMIUM FINISHES



DATE:	PROJECT:	TYPE:
-------	----------	-------

ACCESSORIES (Configure separately)

## SPECIFICATIONS

ELECTRICAL	DRIVER (27W)	<p>For use with 700mA (D27), Class A, constant current driver. 120-277VAC (nominal) primary input voltage. 50/60Hz. &gt;0.94 Power Factor, &lt;10.0A in-rush current, 0.25A input current, ≤5%THD (nominal at 120VAC full load). Output over-voltage, over-current, and short circuit protection with auto recovery. EMC: FCC47CFR Part 15 Class B compliant. Driver wattage must match fixture wattage.</p> <p>Dimming driver for use with standard incandescent dimmers. 10-100% range.</p>
PHYSICAL	SURFACE MOUNT	For use with side entry, surface conduits. Stainless steel mounting brackets provide for direct anchor to architectural surfaces in any orientation.
	HOUSING	Copper free, aluminum extrusion with die cast end caps. Surface mounted with flow through back channel to prevent water and debris collection. Machined aluminum cover with countersunk holes for flush hardware installation. Tamper-resistant, captive, black oxide stainless steel mounting screws. Front access for ease of installation and inspection. [2] 1/2" NPT female conduit entries per end cap for through wiring.
	INSTALLATION TETHER	Stainless steel cable with integral loop allows cover to temporarily suspend from housing during installation to simplify wire connection and component attachment.
	PATENTED KNOCKOUTS	[4] 1/2" NPT, machined aluminum knockouts. High temperature, silicone 'O' Ring for water-tight seal. Patented design allows knockout to be reinserted without compromising seal integrity.
	FINISH	StarGuard®, our exclusive RoHs compliant, 15 stage chromate-free process cleans and conversion coats aluminum components prior to application of Class 'A' TGIC polyester powder coating.
	WARRANTY	5 year limited warranty.
	LISTINGS	NEMA 4X / IP-66 Rated Enclosure. UL Listed . Certified to CAN/CSA/ANSI Standards. RoHs compliant. Made in USA.

# PM2RM REMOTE DRIVER HOUSING (JUNCTION BOX - Camlock)

ORDER FIXTURE SEPARATELY.

DATE:

PROJECT:

TYPE:

CATALOG NUMBER LOGIC:



## CATALOG NUMBER LOGIC

Example: PM2RM - CT - D12INC - SAP - MT - MB

## MATERIAL

Aluminum

## SERIES

PM2RM - Universal Power Module 2 Remote

## MOUNTING

CR - Round CamLock Canopy (Recessed Junction Box)

CT - Rectangular CamLock Canopy (Recessed Junction Box)

## DRIVER TYPE\*

D27INC - 27W Dimming Driver

## FINISH (See page 2 for full-color swatches)

Standard Finishes (BZP, BZW, BLP, BLW, WHP, WHW, SAP, VER)

Premium Finish (ABP, AMG, AQW, BCM, BGE, BPP, CAP, CMG, CRM, HUG, NBP, OCP, RMG, SDS, SMG, TXF, WCP, WIR)

(Also available in RAL Finishes. See submittal SUB-1439-00)

## INPUT VOLTAGE

MT - 120-277 VAC

## OPTIONS

MB - Mounting Brackets (Standard on Surface Mount)

\*Driver wattage must match fixture wattage.

TEKA ILLUMINATION

MADE IN THE USA

559.438.5800 | INFO@TEKAILLUMINATION.COM | TEKAILLUMINATION.COM

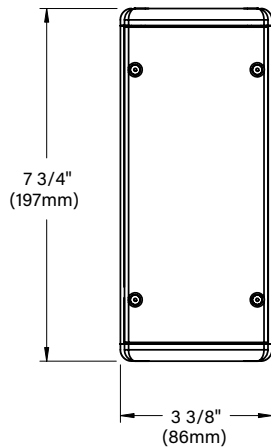
THIS DOCUMENT CONTAINS PROPRIETARY INFORMATION OF TEKA ILLUMINATION AND ITS RECEIPT OR POSSESSION DOES NOT CONVEY ANY RIGHTS TO REPRODUCE, DISCLOSE ITS CONTENTS, OR TO MANUFACTURE, USE OR SELL ANYTHING IT MAY DESCRIBE. REPRODUCTION, DISCLOSURE OR USE WITHOUT SPECIFIC WRITTEN AUTHORIZATION OF TEKA ILLUMINATION IS STRICTLY FORBIDDEN.

08/22/2022 SKU-1253 P3  
SUB-2639-00

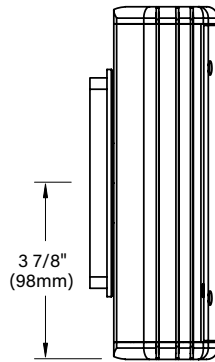
DATE:

PROJECT:

TYPE:



FRONT VIEW



SIDE VIEW

**⚠ REMOTE WIRING**

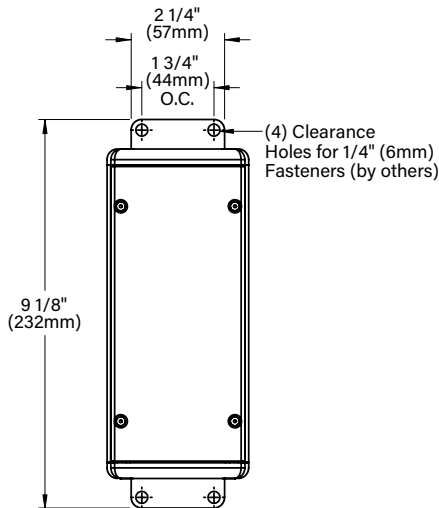
**Electronic Transformer**

Remote transformer installations require interconnected wiring between the lamp and transformer (by others). Electronic transformers have specific wiring requirements between these components. Transformer manufacturers regularly recommend the following wiring details for such installations:

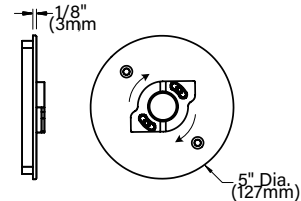
- Do not exceed 8 foot overall wiring distance using 12 gauge copper wire.

Please consult the factory through your local B-K Lighting Sales Representative prior to finalizing any installation detail utilizing remote transformer wiring.

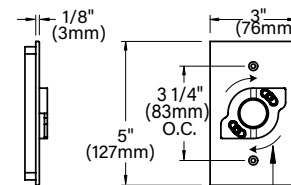
**Failure to comply with specific wiring requirements will void product warranty.**



OPTIONAL MOUNTING BRACKET



ROUND CAMLOCK™ CANOPY



RECTANGULAR CAMLOCK™ CANOPY

**STANDARD FINISHES**



**PREMIUM FINISHES**



[Click Here](#) to view larger, full-color swatches of all available finishes on our website.



DATE:	PROJECT:	TYPE:
-------	----------	-------

ACCESSORIES (Configure separately)

## SPECIFICATIONS

ELECTRICAL	DRIVER (27W)	<p>For use with 700mA (D27), Class A, constant current driver. 120-277VAC (nominal) primary input voltage. 50/60Hz. &gt;0.94 Power Factor, &lt;10.0A in-rush current, 0.25A input current, ≤5%THD (nominal at 120VAC full load). Output over-voltage, over-current, and short circuit protection with auto recovery. EMC: FCC47CFR Part 15 Class B compliant. Driver wattage must match fixture wattage.</p> <p>Dimming driver for use with standard incandescent dimmers. 10-100% range.</p>
PHYSICAL	ROUND CAMLOCK CANOPY (RECESSED JUNCTION BOX)	<p>5" diameter, machined aluminum construction. Includes stainless steel universal mounting ring for use with 4" octagonal junction box. [2] tamperresistant, black oxide stainless steel mounting screws. 1/8" thick HT-805A silicone foam gasket for water-tight seal. Integral CamLock™ provides additional 30° adjustment for precision alignment of UPM regardless of junction box orientation. Integral wiper seal maintains water-tight integrity between UPM and junction box. Optional stainless steel mounting brackets may be specified to provide additional anchor to architectural surface.</p>
	RECTANGULAR CAMLOCK CANOPY (RECESSED JUNCTION BOX)	<p>Machined aluminum, 3" x 5" rectangular canopy for use with single gang junction box. [2] tamper resistant, black oxide stainless steel mounting screws. 1/8" thick HT-805A silicone foam gasket for water-tight seal. Integral CamLock™ provides additional 30° adjustment for precision alignment of UPM regardless of junction box orientation. Integral wiper seal maintains water-tight integrity between UPM and junction box. Optional stainless steel mounting brackets may be specified to provide additional anchor to architectural surface.</p>
	HOUSING	<p>Copper free, aluminum extrusion with die cast end caps. Surface mounted with flow through back channel to prevent water and debris collection. Machined aluminum cover with countersunk holes for flush hardware installation. Tamper-resistant, captive, black oxide stainless steel mounting screws. Front access for ease of installation and inspection. [2] 1/2" NPT female conduit entries per end cap for through wiring.</p>
	INSTALLATION TETHER	<p>Stainless steel cable with integral loop allows cover to temporarily suspend from housing during installation to simplify wire connection and component attachment.</p>
	PATENTED KNOCKOUTS	<p>[4] 1/2" NPT, machined aluminum knockouts. High temperature, silicone 'O' Ring for water-tight seal. Patented design allows knockout to be reinserted without compromising seal integrity.</p>
	FINISH	<p>StarGuard®, our exclusive RoHs compliant, 15 stage chromate-free process cleans and conversion coats aluminum components prior to application of Class 'A' TGIC polyester powder coating.</p>
	WARRANTY	<p>5 year limited warranty.</p>
LISTINGS	<p>NEMA 4X / IP-66 Rated Enclosure. UL Listed. Certified to CAN/CSA/ANSI Standards. RoHs compliant. Made in USA.</p>	