

DATE:	PROJECT:	TYPE:
-------	----------	-------

CATALOG NUMBER LOGIC:

**CATALOG NUMBER LOGIC**

Example: BC2 - BZP

MATERIAL

Aluminum

BOX COVER

BC2-Finish* - 4-5/8" x 2-7/8" Rectangular, Cast Aluminum, 2 Hole Cover (For use with MB2)

FINISH (See page 2 for full-color swatches)

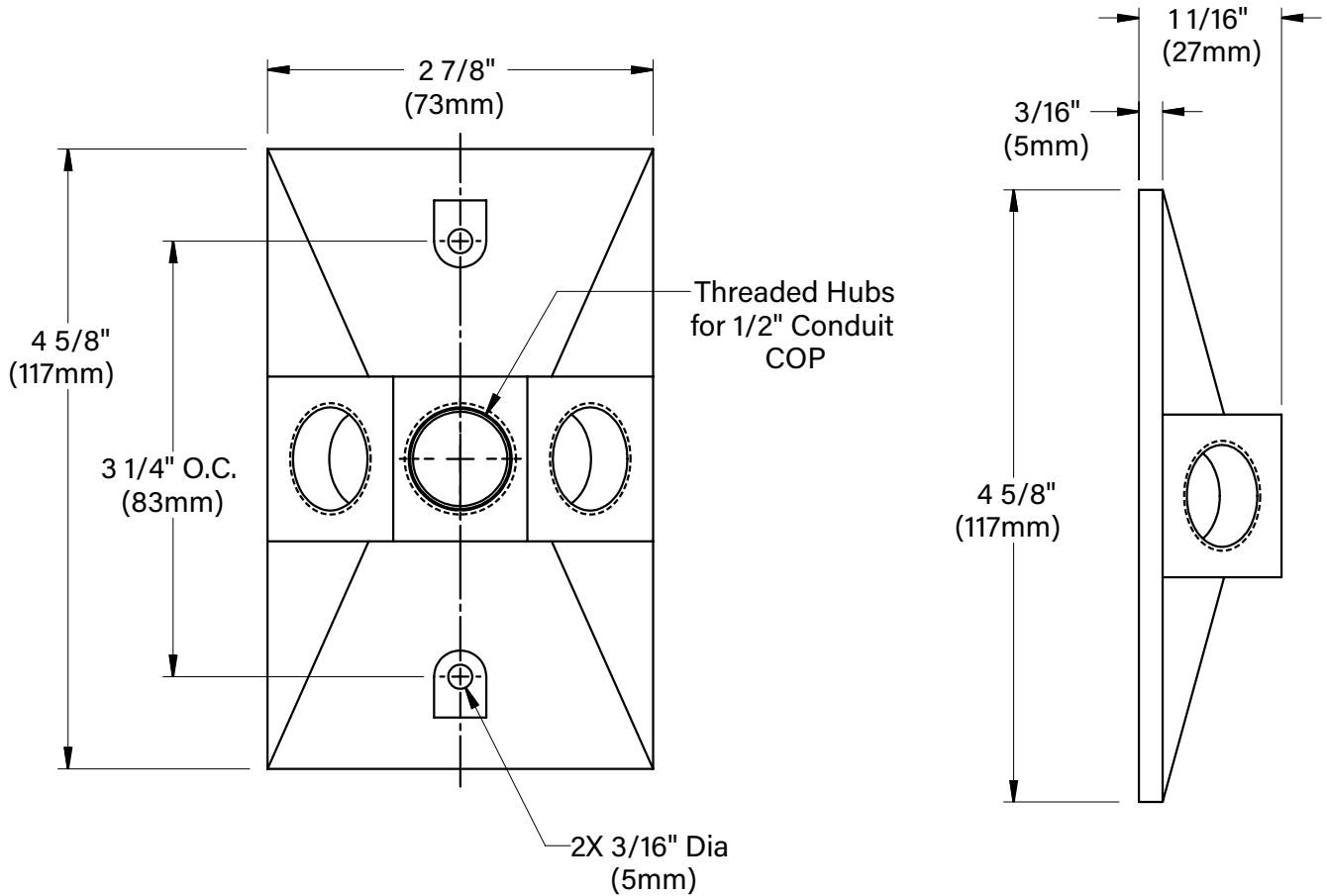
Standard Finishes (BZP, BZW, BLP, BLW, WHP, WHW, SAP, VER)

Premium Finish (ABP, AMG, AQW, BCM, BGE, BPP, CAP, CMG, CRM, HUG, NBP, OCP, RMG, SDS, SMG, TXF, WCP, WIR)

Also available in RAL Finishes

**Please specify finish.*

DATE: _____ PROJECT: _____ TYPE: _____



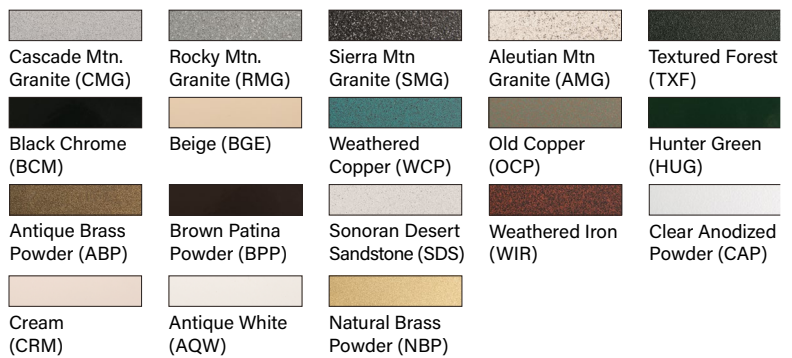
FRONT VIEW

SIDE VIEW

STANDARD FINISHES



PREMIUM FINISHES



[Click Here](#) to view larger, full-color swatches of all available finishes on our website.

DATE:	PROJECT:	TYPE:
-------	----------	-------

ACCESSORIES (Configure separately)

SPECIFICATIONS

PHYSICAL	MATERIALS	Furnished in die cast copper-free aluminum.
	INSTALLATION	For use with MB2 surface mounting box (specify separately).
	HARDWARE	Tamper-resistant, stainless steel mounting hardware. Black oxide treated for additional corrosion resistance.
	FINISH	StarGuard, our 15-stage chromate-free process cleans and conversion coats aluminum components prior to application of Class 'A' TGIC polyester powder coating and is RoHS compliant.
	WARRANTY	5-year limited warranty.
	CERTIFICATION & LISTING	Suitable for indoor or outdoor use. RoHS Compliant. Made in USA with sustainable processes.

