

Accessories

20 Transformer Adaptor Kit

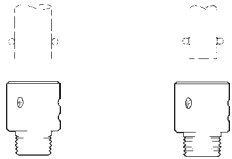
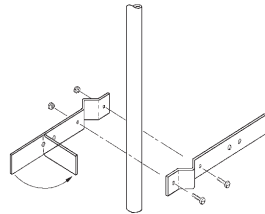
Cast bronze transformer housing with cast bronze base. Supplied with 75W electronic transformer for use with 10 thru 50 watt luminaires. The #20 Kit is factory assembled to luminaires when ordered together. Recommended to be mounted using the TEKA #33 Anchor Kit.

21 Transformer Adaptor Kit

Cast bronze transformer housing with cast bronze base. Supplied with two (2) 75W electronic transformers, intended for use with TEKA 5000-2 series double headed luminaires to power two 20 thru 50 watt MR 16 lamps. The #21 Kit is factory assembled to luminaires when ordered together. Recommended to be mounted using the TEKA #33 Anchor Kit.

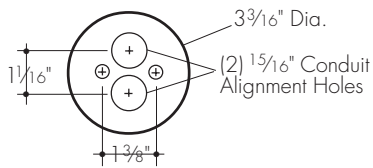
#30 Clamp-on blades

Stainless steel anchor brackets are designed to clamp onto the 7/8" O.D. stem of TEKA luminaires that accept this option to provide stability when directly buried in soil or imbedded in a concrete footing. When ordered with the #30 option, TEKA luminaires are supplied with a stem length that is 12" longer than standard.



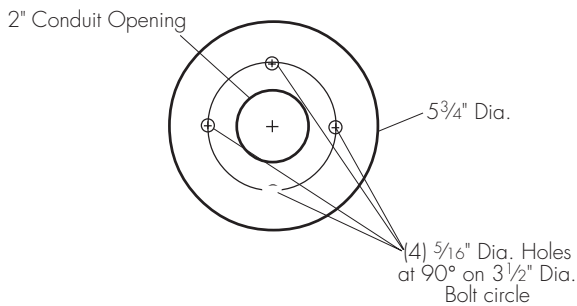
#31A/31B Slip fit adaptor

Machined brass with silicone O-rings and stainless steel fasteners. Provided standard on TEKA luminaires with 7/8" O.D. stems and provides a sealed connection between the stem and any 1/2" I.P. internal thread. The #31A allows for field cutting of stems with a standard tube cutter and also provides horizontal adjustment for directional type luminaires. (31B is the same as 31A except it fits 5/8" O.D. stem)



#33 Anchor kit

Stainless steel anchor plates joined by stainless steel threaded rods. The anchor kit aligns two 1/2" trade size conduits (max.) for proper entry into TEKA luminaires or accessories and orients two threaded anchor rods. Recommended for use in poured concrete footing.



#34 Anchor kit

Stainless steel anchor plate and stainless steel threaded rods. The anchor kit allows direct stub-in of two rods. Recommended for use in poured concrete footing.