

BEACON BOLLARD™ (BSB)



Warning



Hot Surface



Wear Gloves



High Voltage

NEEDED FOR INSTALLATION:

- 5/64", 9/64" & 3/32" Allen Wrench
- Waterproof Wire Connectors
- Mounting Hardware
- Gloves
- Adjustable Crescent Wrench
- Silicone Sealant

By Others

IMPORTANT SAFETY INFORMATION - READ, FOLLOW, AND SAVE THESE INSTALLATION INSTRUCTIONS



IMPORTANT - WEAR GLOVES TO AVOID GETTING FINGERPRINTS ON THIS PRODUCT. MANY TEKA ILLUMINATION PRODUCTS ARE DESIGNED TO NATURALLY PATINA. OILS FROM YOUR SKIN WILL ACCELERATE THIS PROCESS WHERE TOUCHED AND ARE NEARLY IMPOSSIBLE TO REMOVE. THIS PROCESS OCCURS OVER TIME AND IS DETERMINED BY THE INSTALLATION ENVIRONMENT.

INSTRUCTIONS PERTAINING TO A RISK OF FIRE, OR INJURY TO PERSONS IMPORTANT SAFETY INSTRUCTIONS

Lighted fixture is HOT!

WARNING - To reduce the risk of FIRE OR INJURY TO PERSONS:

Turn off/unplug and allow to cool before replacing LED. Fixture gets HOT quickly! Contact only switch/plug when turning on. Do not touch hot lens, guard, or enclosure. Keep fixture away from materials that may burn. Do not operate the luminaire fitting with a missing or damaged shield. Do not touch the source at any time. Use a soft cloth or gloves. Oil from skin may cause damage.

SAVE THESE INSTRUCTIONS

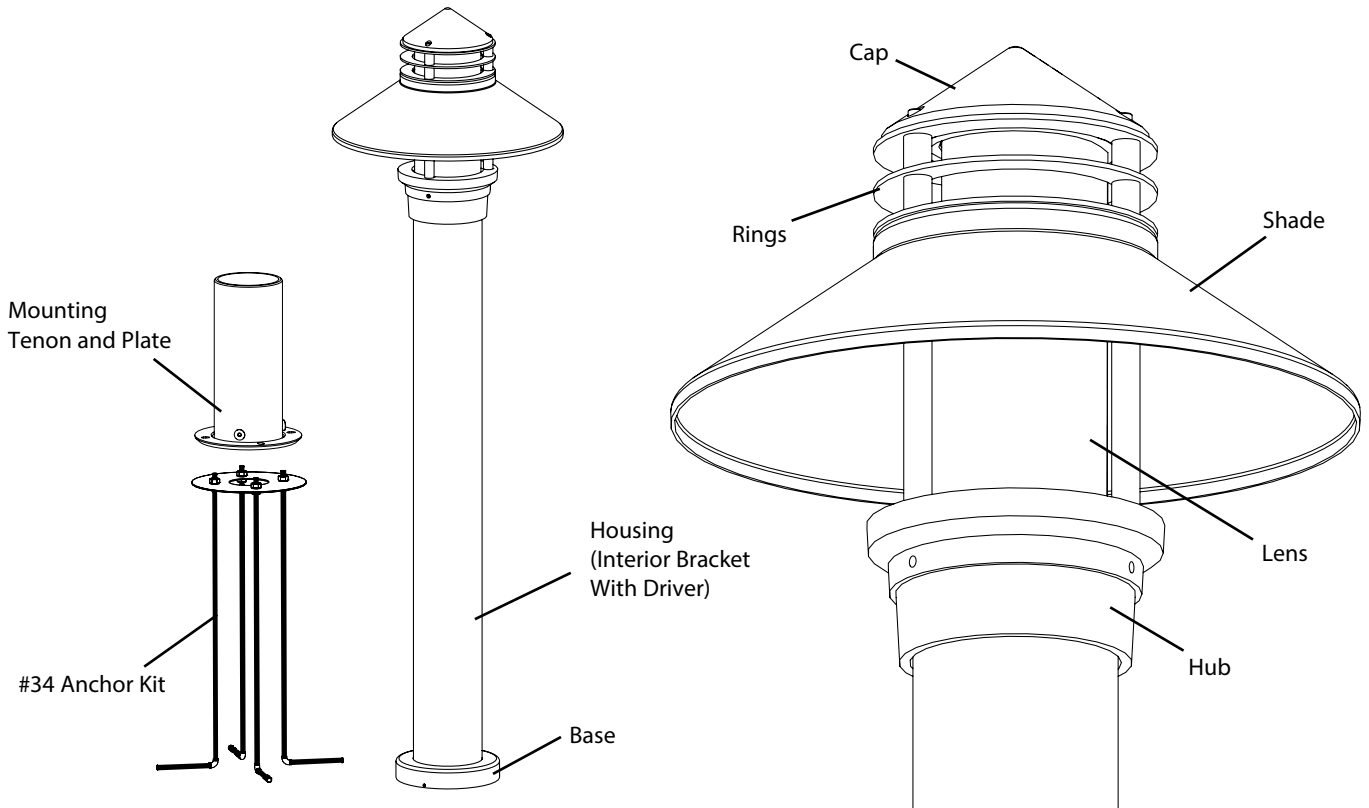
IMPORTANT SAFETY INFORMATION - READ, FOLLOW, AND SAVE ALL SAFETY AND INSTALLATION INSTRUCTIONS

- Product must be installed by a qualified person in a manner consistent with its intended use and in compliance with the National Electrical Code, Canadian Electrical Code, and all Local and Provincial Codes.
- Follow product label information and instructions.
- Qualified Personnel with appropriate personal protective equipment must perform all servicing of this product.
- Before wiring to power supply and during servicing, turn off and lock out power at fuse or circuit breaker before service.
- The use of accessory equipment not recommended by the manufacturer or installed contrary to instructions may cause an unsafe condition. The use of damaged components may cause an unsafe condition and void product warranty.
- Do not block light emanating from product in whole or part, as this may cause an unsafe condition.
- Never operate the fixture with missing or damaged lens. Lens must be cleaned on regular basis.
- Entire fixture may become extremely hot. Do not touch hot lens or fixture body.
- Replace LED assembly only with correct wattage and type of power supply appropriate for LED assembly.
- All gaskets, o-rings and sealing surfaces must be kept clean during installation and service; failure to do this may cause an unsafe condition and void product warranty.

IMPORTANT LISTINGS AND CERTIFICATIONS

- Suitable for wet locations

Proper soil preparation is recommended before installation. See the DIG-IT guide at www.tekaillumination.com/dig-it for more information.



IMPORTANT SAFETY INFORMATION - READ, FOLLOW, AND SAVE THESE INSTALLATION INSTRUCTIONS

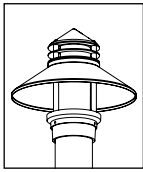
TEKA ILLUMINATION

40429 Brickyard Drive • Madera, CA 93636 • USA
559.438.5800 • FAX 559.438.5900
www.tekaillumination.com • info@tekaillumination.com

DATE
10-9-17

REFERENCE NUMBER
INS-2568-00

THIS DOCUMENT CONTAINS PROPRIETARY INFORMATION OF TEKA ILLUMINATION AND ITS RECEIPT OR POSSESSION DOES NOT CONVEY ANY RIGHTS TO REPRODUCE, DISCLOSE ITS CONTENTS, OR TO MANUFACTURE, USE OR SELL ANYTHING IT MAY DESCRIBE. REPRODUCTION, DISCLOSURE OR USE WITHOUT SPECIFIC WRITTEN AUTHORIZATION OF TEKA ILLUMINATION IS STRICTLY FORBIDDEN.

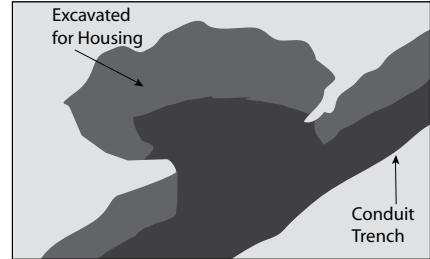
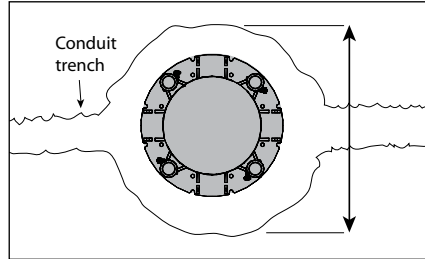


BK55L
SOLID STATE LIGHTING



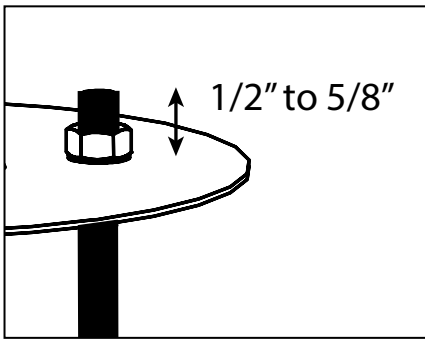
BEACON BOLLARD™ (BSB)

Soil Prep

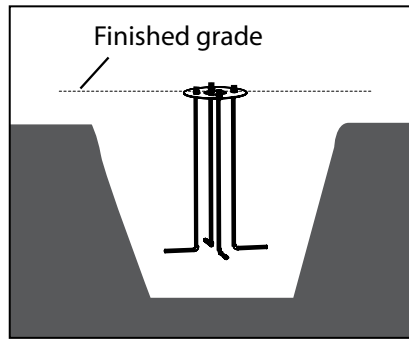


- A. Determine Soil Type by referencing DIG-IT Guide. Prep soil according to DIG-IT Guide.
- B. Dig hole 10" wide and 24" deep.
- C. Prep soil according to DIG-IT Guide.

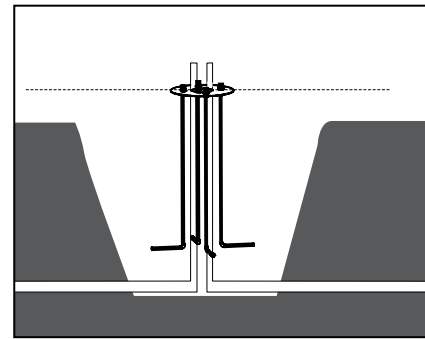
Anchor #34 Installation



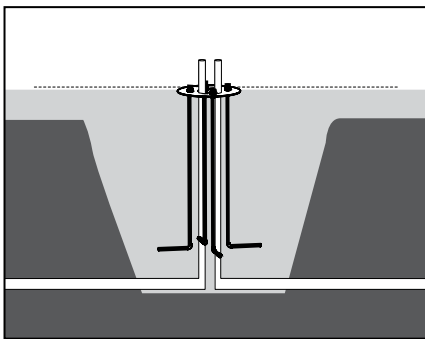
- 1. Adjusted anchor bolts to project at least 1/2" but no more than 5/8" above the anchor plate after installation. The four (4) 1/4-20 nuts on top of the plate may be left in place while concrete is poured.



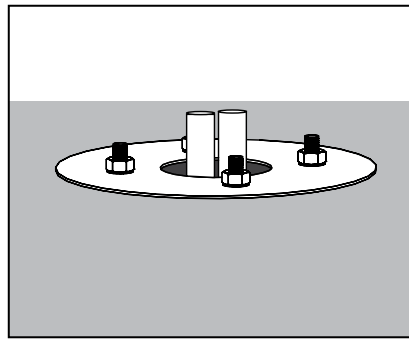
- 2. Install anchor plate and bolt assembly flush with the finished grade.



- 3. Run conduit inside of the anchor plate center hole prior to pouring concrete. The conduit may project above the finished surface of the concrete by 3/8" maximum.



- 4. With the conduits in place and the anchor plate properly positioned, secured and leveled, concrete may be poured.



- 5. The fixture may be installed by removing the four (4) 1/4-20 nuts and re-using them to secure the fixture mounting base assembly. Trim conduit as needed.

**IMPORTANT SAFETY INFORMATION LISTED ON REVERSE
READ, FOLLOW, AND SAVE ALL SAFETY AND INSTALLATION INSTRUCTIONS**

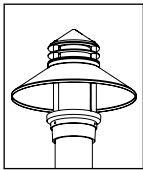


TEKA ILLUMINATION

40429 Brickyard Drive • Madera, CA 93636 • USA
559.438.5800 • FAX 559.438.5900
www.tekaillumination.com • info@tekaillumination.com

DATE
10-9-17

REFERENCE NUMBER
INS-2568-00

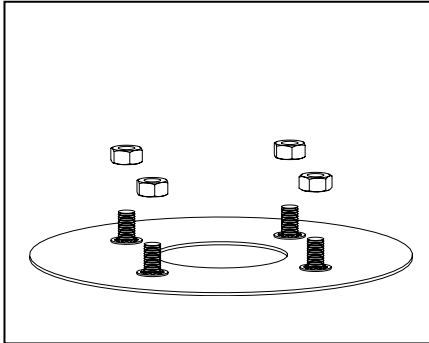


BKSSL
SOLID STATE LIGHTING

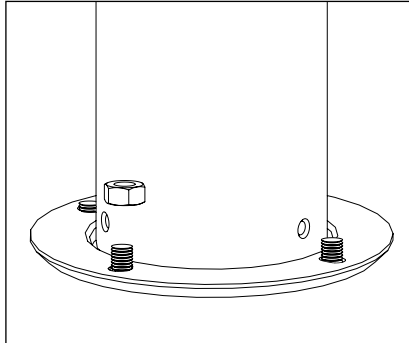


BEACON BOLLARD™ (BSB)

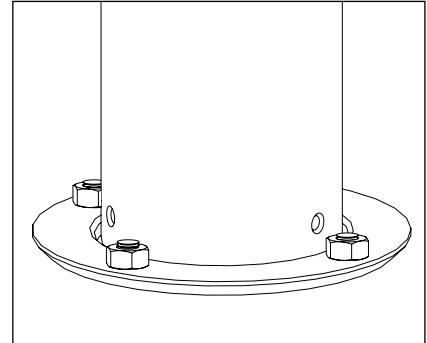
Base & Tenon Installation



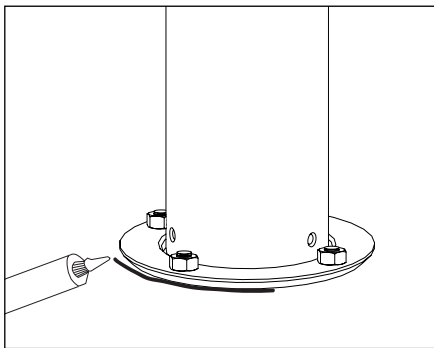
1. Remove 1/4-20 nuts from installed #34 anchor kit with adjustable crescent wrench.



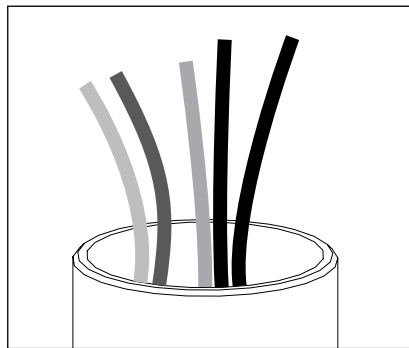
2. Line up then place base over installed 1/4-20 nuts.



3. Secure to anchor bolts with the 1/4-20 nuts and lockwashers provided with the #34 Anchor kit using adjustable crescent wrench.

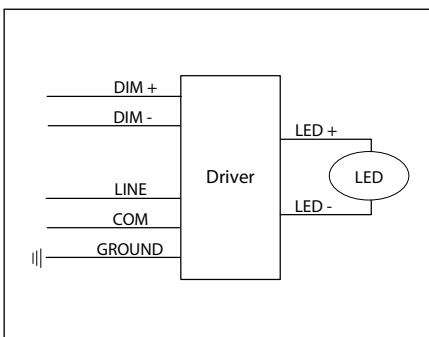


4. Seal as per NEC with waterproof silicone sealant (By Others).



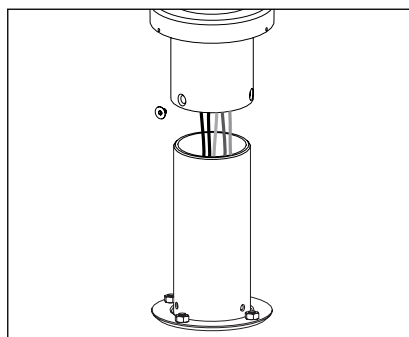
5. Pull primary branch circuit wiring and any additional dimming controls or other wiring necessary for installation (By Others.)

Standard Installation

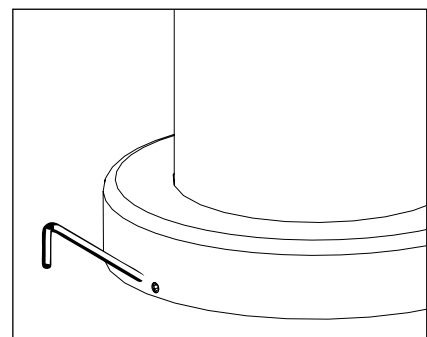


WIRING DIAGRAM

1. Make connections from primary branch circuit to driver primary leads using watertight wire connectors (By Others). Connect green fixture ground wire to green primary ground wire. Secondary side is factory wired. Connect incoming dimming controls (By Others) to dimming controls on primary side of driver. **See wiring diagram.**



2. Place wiring connections inside of tenon. Secure fixture body to tenon with three (3) 1/4-20 set screws using 3/16" Allen wrench.



3. Slide decorative base over mounting tenon and base, then secure with three (3) #8-32 set screws using 5/64" Allen wrench.

**IMPORTANT SAFETY INFORMATION LISTED ON REVERSE
READ, FOLLOW, AND SAVE ALL SAFETY AND INSTALLATION INSTRUCTIONS**

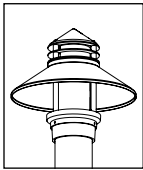


TEKA ILLUMINATION

40429 Brickyard Drive • Madera, CA 93636 • USA
559.438.5800 • FAX 559.438.5900
www.tekaillumination.com • info@tekaillumination.com

DATE
10-9-17

REFERENCE NUMBER
INS-2568-00

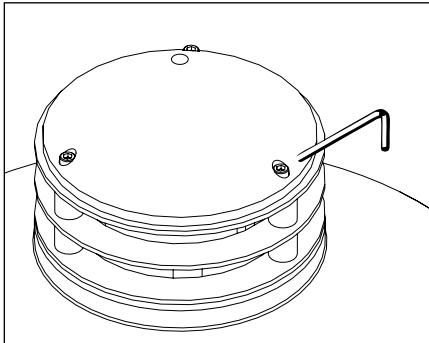


BKSSL
SOLID STATE LIGHTING

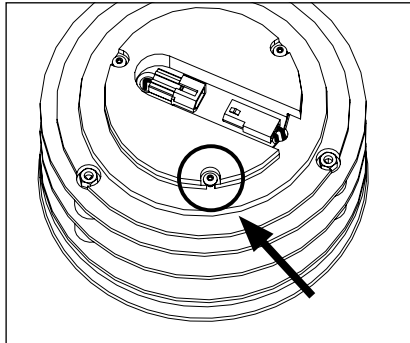


BEACON BOLLARD™ (BSB)

Replacing LED Assembly

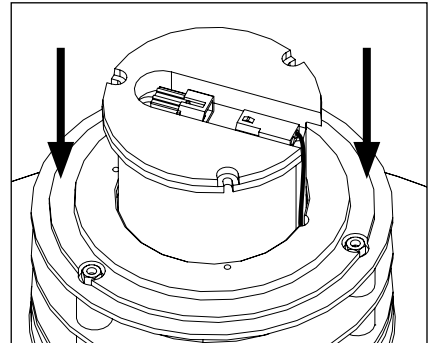


1. Loosen three (3) #8-32 set screws on cap using 9/64" Allen wrench.

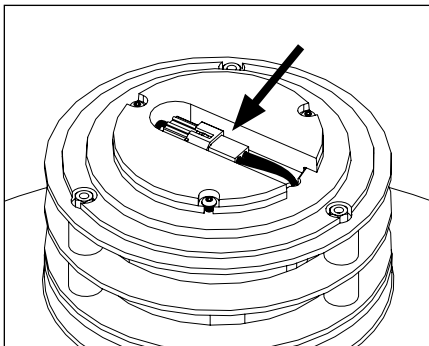


2. Disconnect quick disconnects at top of heatsink. Do not pull too hard.

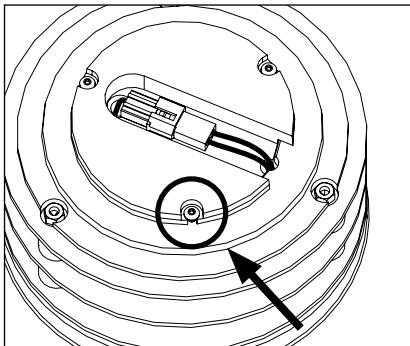
3. Loosen three (3) #4-40 screws at top of heatsink using 3/32" Allen wrench. Carefully pull up heatsink with LED assembly.



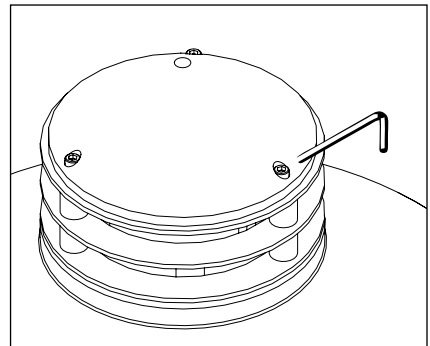
4. Drop in new heatsink and LED assembly.



5. Reconnect quick disconnects at top of heatsink.



6. Tighten three (3) screws at top of heatsink using 3/32" Allen wrench.



7. Place cap back on fixture body. Tighten three (3) #8-32 set screws on cap using 9/64" Allen wrench.

**IMPORTANT SAFETY INFORMATION LISTED ON REVERSE
READ, FOLLOW, AND SAVE ALL SAFETY AND INSTALLATION INSTRUCTIONS**



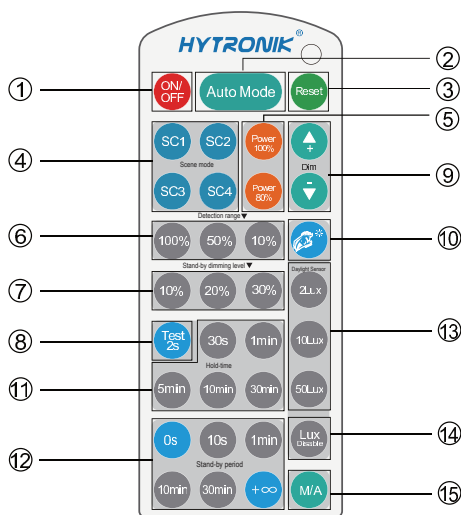
TEKA ILLUMINATION

40429 Brickyard Drive • Madera, CA 93636 • USA
559.438.5800 • FAX 559.438.5900
www.tekaillumination.com • info@tekaillumination.com

DATE
10-9-17

REFERENCE NUMBER
INS-2568-00

Remote Control HRC-05



HRC-05

Note: the buzzer beeps one time when RC receives signal successfully

Permanent ON/OFF [button ①]

1. Press button ①, to select permanent ON or permanent OFF mode.
2. Press button ② ③ ④ to resume automatic operation. (Please refer to explanation below)

Auto Mode [button ②]

Press button ② to initiate automatic mode. The sensor starts working and all settings remain as before the light was switched ON/OFF.

RESET [button ③]

Press button ③, all settings go back to the value of DIP switch settings.

Test 2s function [button ⑧]

1. Press button ⑧, the sensor goes into test mode (hold time 2s). N.B. the stand-by period and daylight sensor settings are disabled in test mode.
2. Press button ③ ④ ⑩ to exit from this mode, and the sensor settings are changed accordingly.

Ambient daylight threshold [button ⑩]

Press button ⑩, the latest surrounding lux value overwrites previous lux value learned, and is set as the daylight threshold. This feature enables the fixture to function well in any environment.

Power output [button ⑤]

Press button ⑤, the output shifts between 80% and 100%, for energy saving purposes.

Dim +/- [button ⑨]

Press button ⑨ to adjust the light brightness between 10%~100% during hold-time. "+" increases the light level, "-" will decrease the light level.

Lux disable [button ⑬]

Press button ⑬, the built-in daylight sensor is disabled, the light will always operate upon detection regardless of ambient light level.

Manual override/ semi-auto [button ⑭]

Press button ⑭, the sensor goes to manual override or semi-auto function.

Note: The buzzer beeps twice if it is in manual override mode, and beeps once if shifts to semi-auto mode.

Detection range [zone ⑥]

Press buttons in zone ⑥ to set detection range at 100% / 50% / 10%.

Hold time [zone ⑪]

Press buttons in zone ⑪ to set hold time at 30s / 1min / 5min / 10min / 30min.

Stand-by period [zone ⑫]

Press buttons in zone ⑫ to set the stand-by period at 0s / 10s / 1min / 10min / 30min / +∞.

Note: "0s" means on/off control; "+∞" means bi-level of dimming control, the light will never switch off. (i.e. the light remains at the stand-by dimming level until motion is detected.)

Stand-by dimming level [zone ⑦]

Press buttons in zone ⑦ to set the stand-by dimming level at 10% / 20% / 30% .

Daylight sensor [zone ⑬]

Press buttons in zone ⑬ to set daylight sensor at 2lux / 10lux / 50lux.

Scene mode options [zone ④]

There are 4 scene modes built into the remote control for different applications:

Scene options	Detection range	Hold time	Stand-by period	Stand-by dimming level	Daylight sensor
SC1	100%	1min	10min	10%	2Lux
SC2	100%	5min	10min	10%	2Lux
SC3	100%	10min	30min	10%	10Lux
SC4	100%	10min	+∞	10%	50Lux

Note: the end-user can fine tune the settings by pressing buttons of detection range ⑥ / hold time ⑪ / stand-by period ⑫ / stand-by dimming level ⑦ / daylight sensor ⑬, the last setting will over-write that feature of the pre-set scene.

Section 4 Functions

4.1 Synchronization Function

Maximum 10pcs HEC7430 can be connected in parallel by interconnecting the "SYNC" terminals of the units, no matter which one detects the movement, all HEC7430 connected in the group turn on the lights at the same time (as long as natural light is below daylight threshold), as if the sensor antenna is shared and extended (see wiring diagram). The detection area can be widely enlarged in this way. Nevertheless, other settings such as hold time, stand-by period, stand-by dimming level and daylight threshold on each individual sensor stays the same, not affected by the extended sensor.

4.2 Ambient daylight threshold

Switch the power supply to the sensor two times within 2 seconds, the sensor will set the ambient lux level as the new threshold.

Both the settings on DIP switch and the ambient lux threshold learned can overwrite each other.

This feature enables the daylight sensor to be commissioned to the environment in which it is installed. The last adjustment remains in memory.

4.3 8H Manual on Mode for LED Lamp

Turn off/on the power supply three times within 3 seconds, the light will be turned on for 8 hours, automatically returning to sensor mode after 8 hours.

Note: this 8H manual on mode can be cancelled by turning off/on the power supply one time within 1second.

4.4 Daylight Monitoring Function

Hytronik specially designed this function in software for deep energy-saving purpose. A built-in daylight sensor is designed to provide "smart photocell" function. This function can only be activated when stand-by period is set to "+∞". In this mode the lamp will automatically illuminate at the dim level setting when the natural light goes below the threshold setting. The fixture will also switch off as the natural light returns.

4.5 Manual Override

This sensor maybe over-riden by the end-users to switch on/off the lights manually, or adjust the maximum brightness during motion hold-time with the push-switch. This makes the product more user-friendly and offers more options to fit for extra-ordinary demands.

* Short push (<1s): on/off function;

ON → OFF: the light turns off immediately and cannot be lighten for a certain time (equals to hold time preset) even there is movement is detected. After this period, the sensor goes back to auto sensor mode.

OFF → ON: the light turns on 100% and goes to auto sensor mode, even when ambient Lux level exceeds the daylight threshold.

* Long push (>1s): adjust the maximum brightness (between 10% and 100%) during hold-time.

* If customers do not want to have this manual override function, we can just leave this "push" terminal alone, not connected to any wire.

Note: If the detection area is set at "Sensor OFF", it becomes a dimmable LED driver which can be dimmed (1% ~ 100%) by push-switch.

SECTION 5 TROUBLE SHOOTING

MALFUNCTION	CAUSE	REMEDY
The light will not come on	Incorrect light-control setting selected	Adjust daylight threshold setting
	Faulty lamp	Replace lamp
	No power supply	Check power to sensor
The lamp is always on	Continuous movement in the detection zone	Check detection area setting
The lamp is on without any identifiable movement	The sensor is not mounted for reliably detecting movement	Securely mount enclosure
	Movement occurred, but not identified by the sensor (Movement behind wall, movement of small object in immediate lamp vicinity etc.)	1. Reduce sensitivity. 2. Check the movement behind walls to avoid facilities such as water pipe, fan, which may mis-trigger the sensor.
The lamp will not work despite movement	Rapid movements are being suppressed to minimize malfunctioning or the detection radius is too small.	Check detection area setting