

the power of

# MINIATURE BEACON STEM™ (MBS)



Warning



Hot Surface



Wear Gloves



Low Voltage

NEEDED FOR INSTALLATION:

By Others

- 1/8" & 5/64" Allen Wrench
- Waterproof Wire Connectors
- Mounting Hardware
- Phillips Screwdriver
- Drill and Drill Bit

## IMPORTANT SAFETY INFORMATION - READ, FOLLOW, AND SAVE THESE INSTALLATION INSTRUCTIONS



**IMPORTANT - WEAR GLOVES TO AVOID GETTING FINGERPRINTS ON THIS PRODUCT. MANY TEKA ILLUMINATION PRODUCTS ARE DESIGNED TO NATURALLY PATINA. OILS FROM YOUR SKIN WILL ACCELERATE THIS PROCESS WHERE TOUCHED AND ARE NEARLY IMPOSSIBLE TO REMOVE. THIS PROCESS OCCURS OVER TIME AND IS DETERMINED BY THE INSTALLATION ENVIRONMENT.**

### INSTRUCTIONS PERTAINING TO A RISK OF FIRE, OR INJURY TO PERSONS IMPORTANT SAFETY INSTRUCTIONS

#### Lighted fixture is HOT!

#### WARNING - To reduce the risk of FIRE OR INJURY TO PERSONS:

Turn off/unplug and allow to cool before replacing LED. Fixture gets HOT quickly! Contact only switch/plug when turning on. Do not touch hot lens, guard, or enclosure. Keep fixture away from materials that may burn. Do not operate the luminaire fitting with a missing or damaged shield. Do not touch the source at any time. Use a soft cloth or gloves. Oil from skin may cause damage.

**SAVE THESE INSTRUCTIONS**

### IMPORTANT SAFETY INFORMATION - READ, FOLLOW, AND SAVE ALL SAFETY AND INSTALLATION INSTRUCTIONS

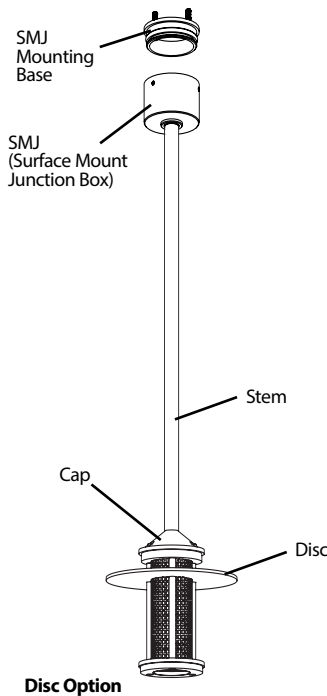
- Product must be installed by a qualified person in a manner consistent with its intended use and in compliance with the National Electrical Code, Canadian Electrical Code, and all Local and Provincial Codes.
- Follow product label information and instructions.
- Qualified Personnel with appropriate personal protective equipment must perform all servicing of this product.
- Before wiring to power supply and during servicing, turn off and lock out power at fuse or circuit breaker before service.
- The use of accessory equipment not recommended by the manufacturer or installed contrary to instructions may cause an unsafe condition. The use of damaged components may cause an unsafe condition and void product warranty.
- Do not block light emanating from product in whole or part, as this may cause an unsafe condition.
- Never operate the fixture with missing or damaged lens. Lens must be cleaned on regular basis.
- Entire fixture may become extremely hot. Do not touch hot lens or fixture body.
- Replace LED assembly only with correct wattage and type of power supply appropriate for LED assembly.
- All gaskets, o-rings and sealing surfaces must be kept clean during installation and service; failure to do this may cause an unsafe condition and void product warranty.

### IMPORTANT LISTINGS AND CERTIFICATIONS

- Suitable for wet locations

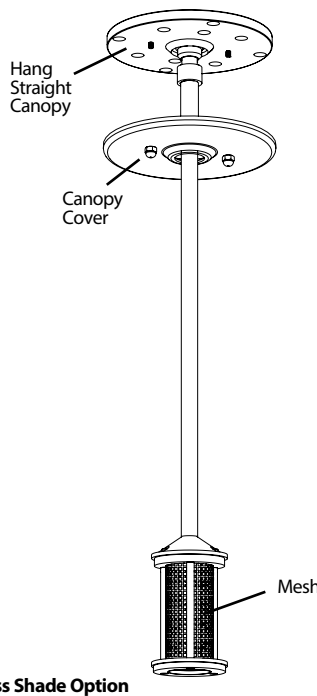
Please refer to the low voltage design guide at [www.tekaillumination.com/lvguide](http://www.tekaillumination.com/lvguide) before installation for proper wire selection.

#### SMJ Mounting Option



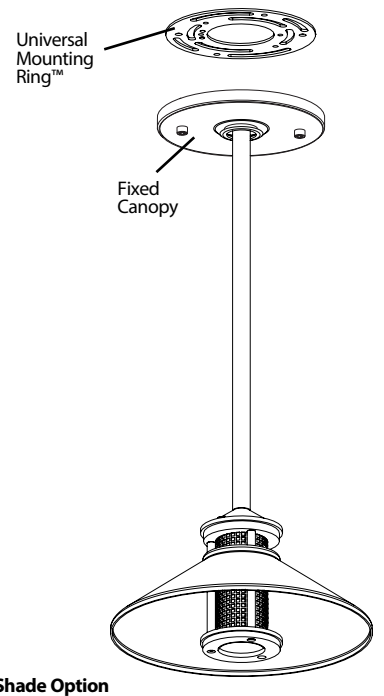
Disc Option

#### Hang Straight Canopy Mounting Option



Less Shade Option

#### Fixed Canopy Option



Shade Option

## IMPORTANT SAFETY INFORMATION - READ, FOLLOW, AND SAVE THESE INSTALLATION INSTRUCTIONS

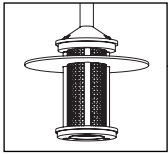
**TEKA** ILLUMINATION

40429 Brickyard Drive • Madera, CA 93636 • USA  
559.438.5800 • FAX 559.438.5900  
[www.tekaillumination.com](http://www.tekaillumination.com) • [info@tekaillumination.com](mailto:info@tekaillumination.com)

RELEASE DATE  
5-4-18

REFERENCE NUMBER  
INS-2549-00

THIS DOCUMENT CONTAINS PROPRIETARY INFORMATION OF TEKA ILLUMINATION AND ITS RECEIPT OR POSSESSION DOES NOT CONVEY ANY RIGHTS TO REPRODUCE, DISCLOSE ITS CONTENTS, OR TO MANUFACTURE, USE OR SELL ANYTHING IT MAY DESCRIBE. REPRODUCTION, DISCLOSURE OR USE WITHOUT SPECIFIC WRITTEN AUTHORIZATION OF TEKA ILLUMINATION IS STRICTLY FORBIDDEN.

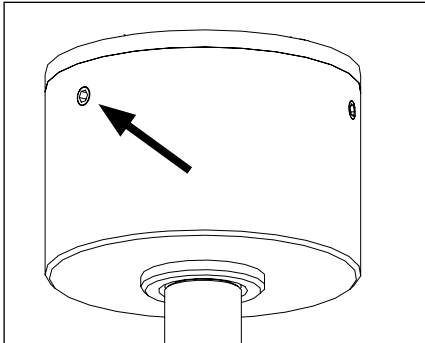


the power of

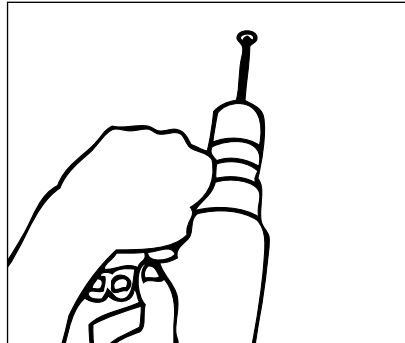


# MINIATURE BEACON STEM™ (MBS)

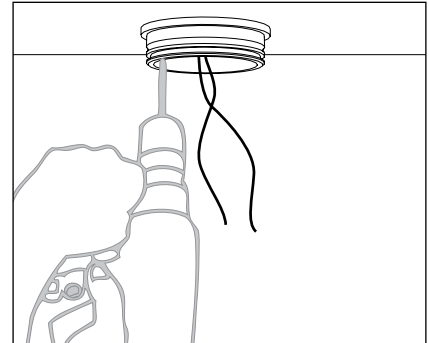
## SMJ Junction Box Installation



1. Loosen three (3) #8-32 set screws using 5/64" Allen wrench from canopy (do not remove set screws fully). Remove mounting base from canopy.

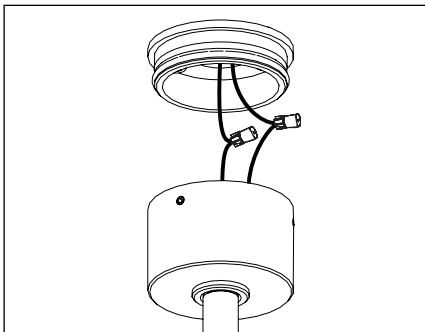


2. Drill holes for mounting base to accommodate hardware as needed for surface in location as per lighting plan. Base has two (2) holes 1-3/8" apart on center.

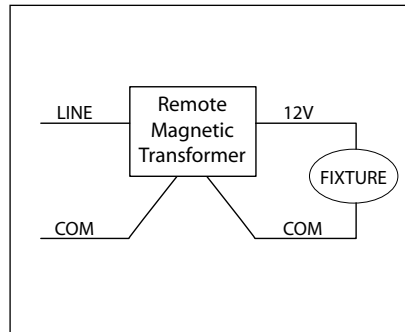


3. Secure base to solid surface using proper hardware for specific surface. Holes are for 1/4" bolts. **Seal building envelope as per NEC. Do not overtighten.**

Pull remote secondary wiring from remote magnetic transformer.

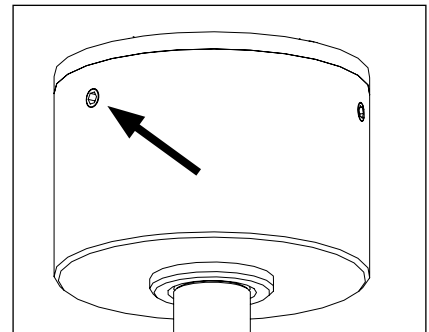


4. Make watertight connections from remote magnetic transformer leads to fixture leads using waterproof wire connectors. **See wiring diagram.**



### WIRING DIAGRAM

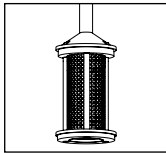
**⚠ LED - For use with 12VAC BKSSL remote transformer or magnetic transformers only. TEKA Illumination cannot guarantee performance with third party manufacturers' transformers.**



5. Tighten three (3) #8-32 set screws using 5/64" Allen wrench. Do not overtighten.

**IMPORTANT SAFETY INFORMATION LISTED ON REVERSE  
READ, FOLLOW, AND SAVE ALL SAFETY AND INSTALLATION INSTRUCTIONS**





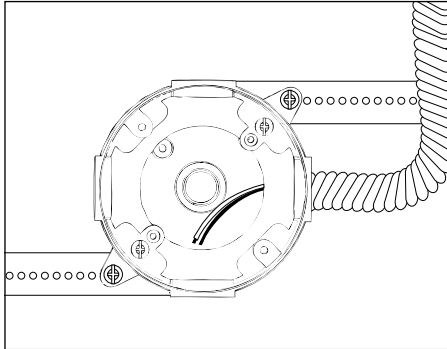
the power of 

# MINIATURE BEACON STEM™ (MBS)

## Hang Straight Installation

### Phase 1 - Rough In


Installation of Back box



#### Additional Info

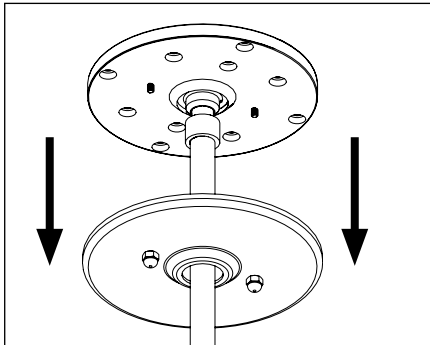
- Please follow National and Local electrical codes for your area.
- Suitable for through wire.
- Suitable for installation into combustible materials.
- Rated for 90° C.
- Junction box, universal mounting ring screws, box mounting hardware and gaskets (By Others)

 Use heavy-duty pendant adapter if luminaire weight exceeds 50 lbs.

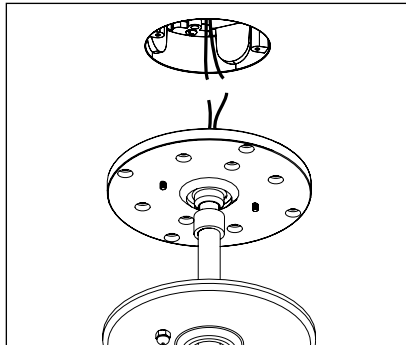
 Junction box must be secured to a structural member suitable for weight of the luminaire and other weight likely to be placed upon it.

1. Install Conduit (By Others) to be used with this product.
2. Install junction box (By Others) so that front face is flush with finished ceiling. Seal building envelope as per NEC.
3. Connect box to conduit and pull wires for connections (See wiring diagram).

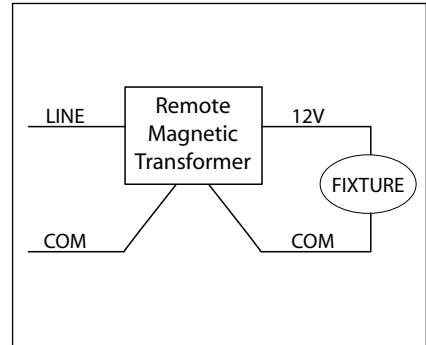
### Installation of Fixture




1. Hand loosen then remove two (2) decorative cover nuts, then slide decorative canopy down stem to expose mounting plate.

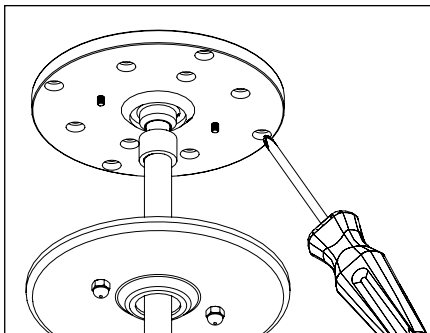


2. Make watertight connections from remote transformer leads to fixture leads using waterproof wire connectors. See wiring diagram.

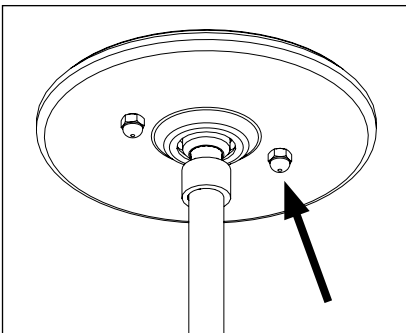


#### WIRING DIAGRAM

 LED - For use with 12VAC BISSELL remote transformer or magnetic transformers only. TEKA Illumination cannot guarantee performance with third party manufacturers' transformers.



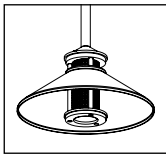
3. Secure canopy plate to junction box with two (2) #6-32 Phillips screws (By Others) using Phillips screwdriver. Seal building envelope as per NEC. Do not overtighten.



4. Slide decorative canopy cover up stem into place and secure to canopy plate by hand-tightening provided two (2) decorative cover nuts.

**IMPORTANT SAFETY INFORMATION LISTED ON REVERSE  
READ, FOLLOW, AND SAVE ALL SAFETY AND INSTALLATION INSTRUCTIONS**





the power of

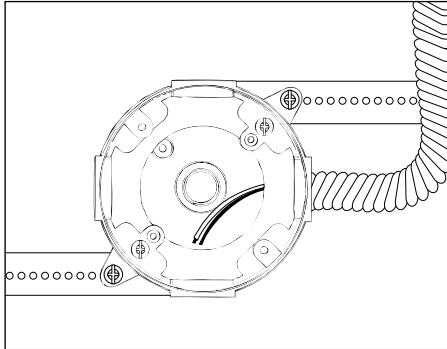


# MINIATURE BEACON STEM™ (MBS)

## Fixed Canopy Installation

### Phase 1 - Rough In

Installation of Back box



### Additional Info

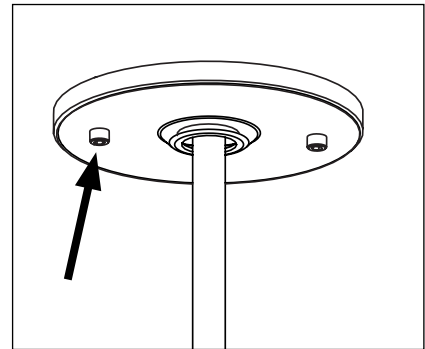
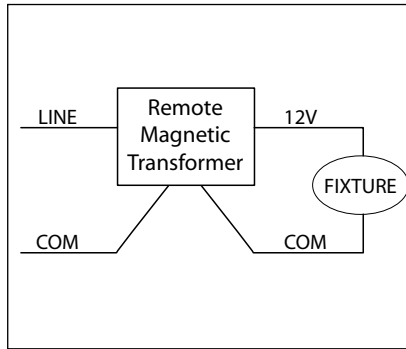
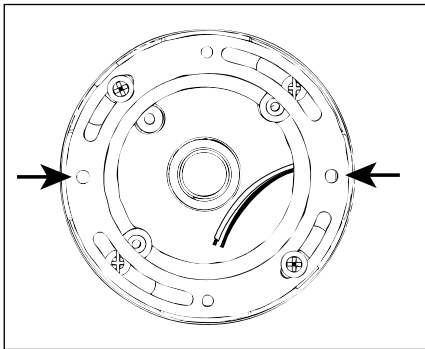
- Please follow National and Local electrical codes for your area.
- Suitable for through wire.
- Suitable for installation into combustible materials.
- Rated for 90° C.
- Junction box, universal mounting ring screws, box mounting hardware and gaskets (By Others)

⚠ **Use heavy-duty pendant adapter if luminaire weight exceeds 50 lbs.**

⚠ **Junction box must be secured to a structural member suitable for weight of the luminaire and other weight likely to be placed upon it.**

1. Install Conduit (By Others) to be used with this product.
2. Install junction box (By Others) so that front face is flush with finished ceiling. Seal building envelope as per NEC
3. Connect box to conduit and pull wires for connections (See wiring diagram).

## Installation of Fixture



1. Install universal mounting ring to junction box with two mounting screws (Hardware By Others).

### WIRING DIAGRAM

2. Make watertight connections from remote transformer leads to fixture leads using waterproof wire connectors. See wiring diagram.

⚠ **LED - For use with 12VAC BISSELL remote transformer or magnetic transformers only. TEKA Illumination cannot guarantee performance with third party manufacturers' transformers.**

3. Place connections into junction box. Secure canopy mounting plate to Universal Mounting Ring with two (2) #10-24 screws (By Others) using 1/8" Allen wrench. **Seal building envelope as per NEC. Do not overtighten.**

**IMPORTANT SAFETY INFORMATION LISTED ON REVERSE  
READ, FOLLOW, AND SAVE ALL SAFETY AND INSTALLATION INSTRUCTIONS**

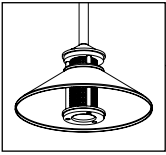


**TEKA** ILLUMINATION

40429 Brickyard Drive • Madera, CA 93636 • USA  
559.438.5800 • FAX 559.438.5900  
www.tekaillumination.com • info@tekaillumination.com

RELEASE DATE  
5-4-18

REFERENCE NUMBER  
INS-2549-00



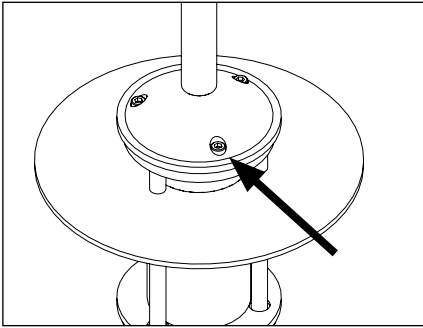
**BKSSL**  
SOLID STATE LIGHTING

the power of

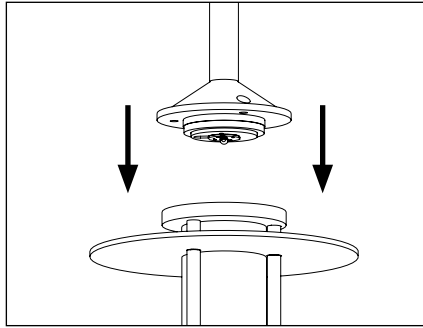


# MINIATURE BEACON STEM™ (MBS)

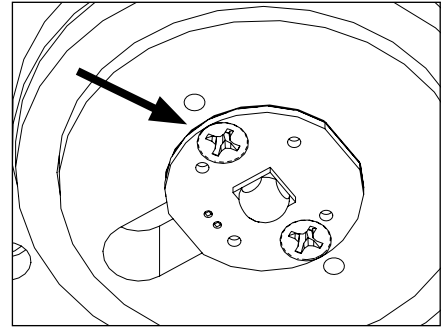
## LED Replacement



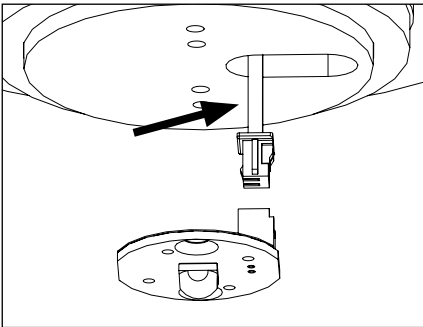
1. Loosen three (3) #6-32 set screws using 5/64" Allen wrench.



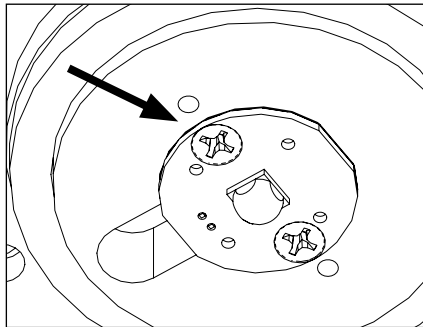
2. Carefully remove lower lens and shade assembly.



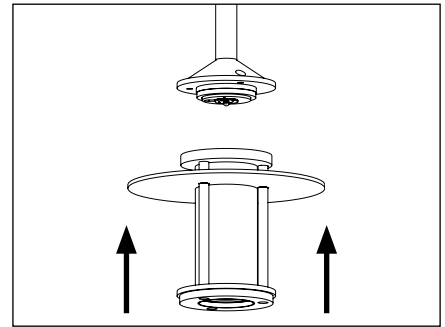
3. Remove LED assembly by loosening two (2) Phillips screws with Phillips screwdriver.



4. Gently pull away then disconnect old LED assembly via quick disconnect. Hold connector from fixture to keep quick disconnect from going back into the fixture body.

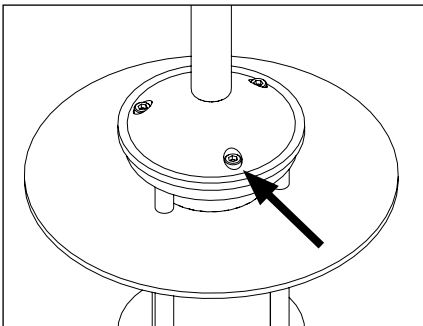


5. Connect new LED board to fixture via quick disconnect. Secure with two (2) Phillips screws using Phillips screwdriver.



6. Carefully line up lower lens and shade assembly with canopy.

**⚠ Misalignment can cause excessive pressure on lens and cause lens to crack.**



7. Tighten three (3) #6-32 set screws using 5/64" Allen wrench to secure fixture assembly to canopy.

**IMPORTANT SAFETY INFORMATION LISTED ON REVERSE  
READ, FOLLOW, AND SAVE ALL SAFETY AND INSTALLATION INSTRUCTIONS**



**TEKA** ILLUMINATION

40429 Brickyard Drive • Madera, CA 93636 • USA  
559.438.5800 • FAX 559.438.5900  
www.tekaillumination.com • info@tekaillumination.com

RELEASE DATE  
5-4-18

REFERENCE NUMBER  
INS-2549-00