

the power of 

MINIATURE BEACON WALL™ (MBW)



Warning



Hot Surface







Wear Gloves



Low Voltage

NEEDED FOR INSTALLATION:

-  5/64" Allen Wrench
-  Waterproof Wire Connectors
-  Mounting Hardware
-  Gloves

By Others

IMPORTANT SAFETY INFORMATION - READ, FOLLOW, AND SAVE THESE INSTALLATION INSTRUCTIONS



IMPORTANT - WEAR GLOVES TO AVOID GETTING FINGERPRINTS ON THIS PRODUCT. MANY TEKA ILLUMINATION PRODUCTS ARE DESIGNED TO NATURALLY PATINA. OILS FROM YOUR SKIN WILL ACCELERATE THIS PROCESS WHERE TOUCHED AND ARE NEARLY IMPOSSIBLE TO REMOVE. THIS PROCESS OCCURS OVER TIME AND IS DETERMINED BY THE INSTALLATION ENVIRONMENT.

INSTRUCTIONS PERTAINING TO A RISK OF FIRE, OR INJURY TO PERSONS IMPORTANT SAFETY INSTRUCTIONS

Lighted fixture is HOT!

WARNING - To reduce the risk of FIRE OR INJURY TO PERSONS:

Turn off/unplug and allow to cool before replacing LED. Fixture gets **HOT** quickly! Contact only switch/plug when turning on. Do not touch hot lens, guard, or enclosure. Keep fixture away from materials that may burn. Do not operate the luminaire fitting with a missing or damaged shield. Do not touch the source at any time. Use a soft cloth or gloves. Oil from skin may cause damage.

SAVE THESE INSTRUCTIONS

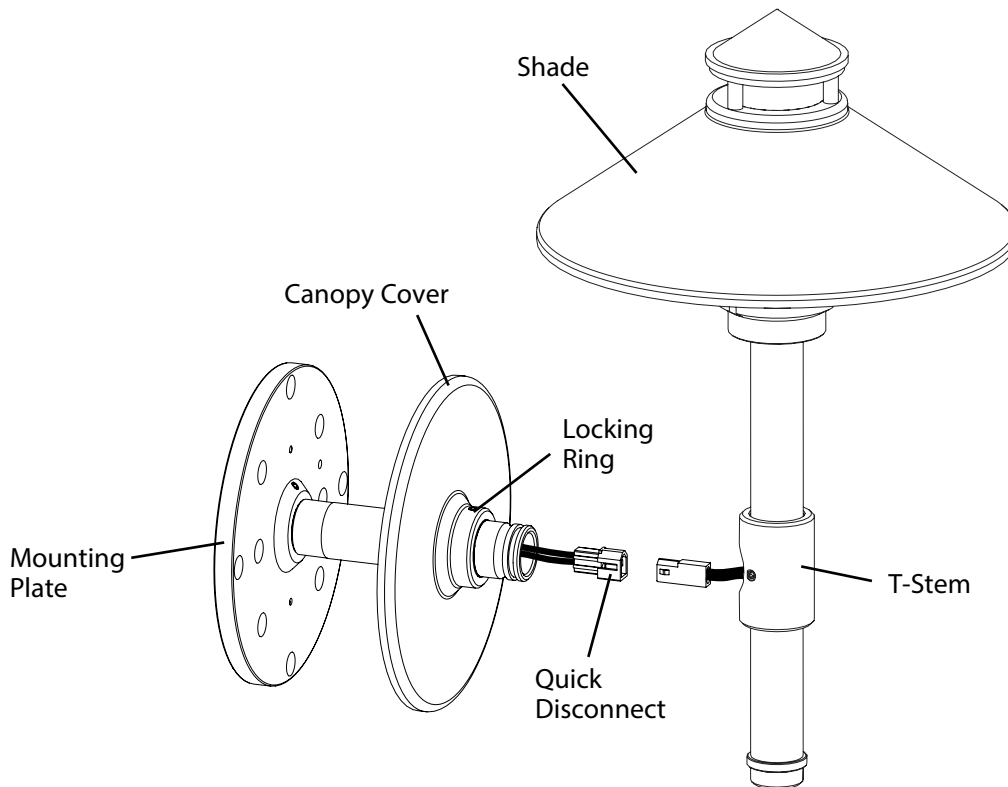
IMPORTANT SAFETY INFORMATION - READ, FOLLOW, AND SAVE ALL SAFETY AND INSTALLATION INSTRUCTIONS

- Product must be installed by a qualified person in a manner consistent with its intended use and in compliance with the National Electrical Code, Canadian Electrical Code, and all Local and Provincial Codes.
- Follow product label information and instructions.
- Qualified Personnel with appropriate personal protective equipment must perform all servicing of this product.
- Before wiring to power supply and during servicing, turn off and lock out power at fuse or circuit breaker before service.
- The use of accessory equipment not recommended by the manufacturer or installed contrary to instructions may cause an unsafe condition. The use of damaged components may cause an unsafe condition and void product warranty.
- Do not block light emanating from product in whole or part, as this may cause an unsafe condition.
- Never operate the fixture with missing or damaged lens. Lens must be cleaned on regular basis.
- Entire fixture may become extremely hot. Do not touch hot lens or fixture body.
- Replace LED assembly only with correct wattage and type of power supply appropriate for LED assembly.
- All gaskets, o-rings and sealing surfaces must be kept clean during installation and service; failure to do this may cause an unsafe condition and void product warranty.

IMPORTANT LISTINGS AND CERTIFICATIONS

- Suitable for wet locations

Please refer to the low voltage design guide at www.tekaillumination.com/lvguide before installation for proper wire selection.



IMPORTANT SAFETY INFORMATION - READ, FOLLOW, AND SAVE THESE INSTALLATION INSTRUCTIONS

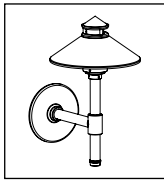
TEKA ILLUMINATION

40429 Brickyard Drive • Madera, CA 93636 • USA
559.438.5800 • FAX 559.438.5900
www.tekaillumination.com • info@tekaillumination.com

DATE
5-3-18

REFERENCE NUMBER
INS-2550-00

THIS DOCUMENT CONTAINS PROPRIETARY INFORMATION OF TEKA ILLUMINATION AND ITS RECEIPT OR POSSESSION DOES NOT CONVEY ANY RIGHTS TO REPRODUCE, DISCLOSE ITS CONTENTS, OR TO MANUFACTURE, USE OR SELL ANYTHING IT MAY DESCRIBE. REPRODUCTION, DISCLOSURE OR USE WITHOUT SPECIFIC WRITTEN AUTHORIZATION OF TEKA ILLUMINATION IS STRICTLY FORBIDDEN.



the power of



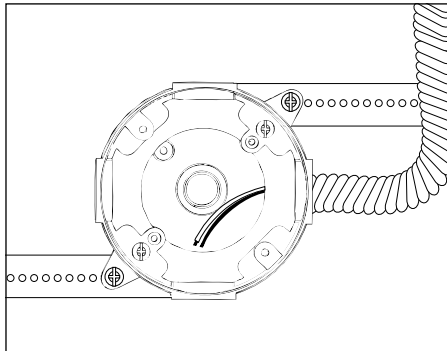
MINIATURE BEACON WALL™ (MBW)

Decorative Canopy Installation Instructions



Phase 1 - Rough In

Installation of Back box



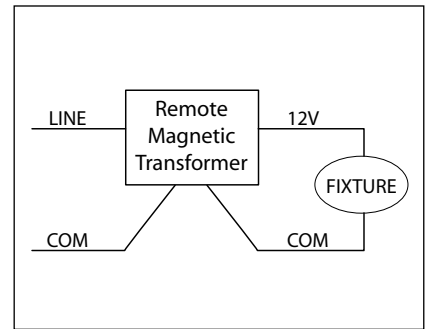
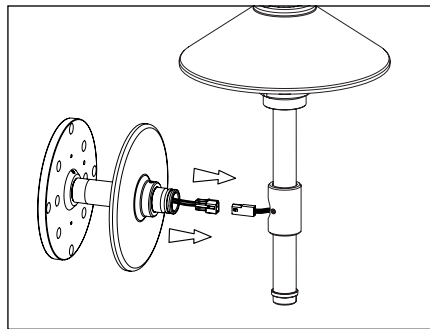
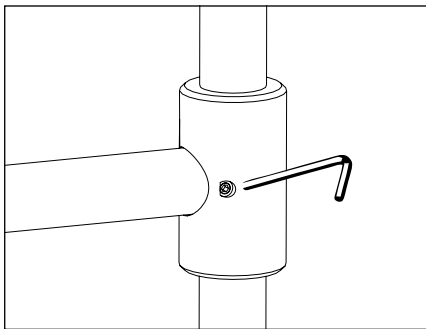
Additional Info

- Please follow National and Local electrical codes for your area.
- Suitable for through wire.
- Suitable for installation into combustible materials.
- Rated for 90° C.
- Junction box, universal mounting ring screws, box mounting hardware and gaskets (By Others)

⚠ **Junction box must be secured to a structural member suitable for weight of the luminaire and other weight likely to be placed upon it.**

1. Install Conduit (By Others) to be used with this product.
2. Install junction box (By Others) so that front face is flush with finished ceiling. Seal building envelope as per NEC.
3. Connect box to conduit and pull wires for connections (See wiring diagram).

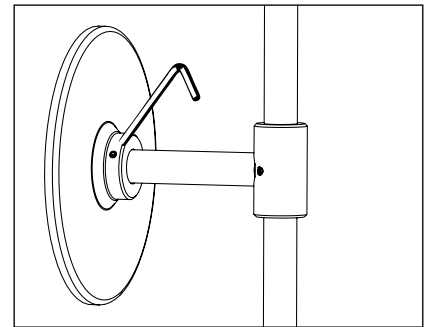
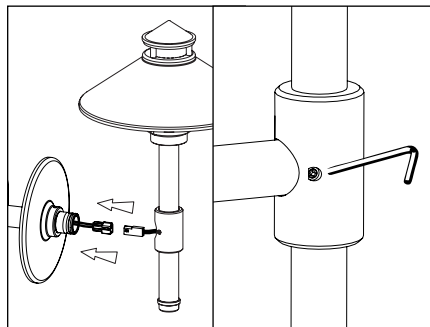
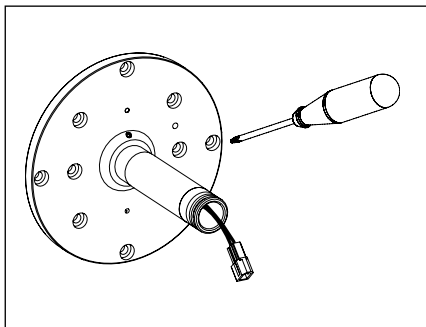
Phase 2 - Fixture Installation



1. Loosen T-stem set screws using a 5/64" Allen wrench. Loosen T-stem stem to access quick disconnects. Disconnect fixture from canopy stem.
2. Loosen locking ring set screw using a 5/64" Allen wrench. Slide locking ring and canopy cover forward on stem to expose mounting plate.

WIRING DIAGRAM

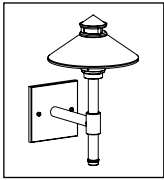
⚠ **LED - For use with 12VAC BKGSL remote transformer or magnetic transformers only. TEKA Illumination cannot guarantee performance with third party manufacturers' transformers.**



4. Place wiring and connections into junction box. Thread quick disconnect through stem, ensuring enough length to reach fixture quick disconnect. Mount plate with mounting hardware (By Others) to junction box. **Seal building envelope as per NEC. Do not overtighten.**
5. Thread fixture quick disconnect through decorative canopy. Slide decorative canopy onto stem, locking ring facing towards fixture. Connect quick disconnect from fixture body to fixture leads.
6. Slide fixture body onto T-stem, then tighten two (2) #8-32 set screws with 5/64" Allen wrench.
7. Slide locking ring and canopy cover back until mounting plate is covered.
8. Tighten set screw on locking ring using a 5/64" Allen wrench.

**IMPORTANT SAFETY INFORMATION LISTED ON REVERSE
READ, FOLLOW, AND SAVE ALL SAFETY AND INSTALLATION INSTRUCTIONS**





the power of 

MINIATURE BEACON WALL™ (MBW)



Warning



Hot Surface







Wear Gloves



Low Voltage

NEEDED FOR INSTALLATION:

-  5/64" Allen Wrench
-  Waterproof Wire Connectors
-  Mounting Hardware
-  Gloves

By Others

IMPORTANT SAFETY INFORMATION - READ, FOLLOW, AND SAVE THESE INSTALLATION INSTRUCTIONS



IMPORTANT - WEAR GLOVES TO AVOID GETTING FINGERPRINTS ON THIS PRODUCT. MANY TEKA ILLUMINATION PRODUCTS ARE DESIGNED TO NATURALLY PATINA. OILS FROM YOUR SKIN WILL ACCELERATE THIS PROCESS WHERE TOUCHED AND ARE NEARLY IMPOSSIBLE TO REMOVE. THIS PROCESS OCCURS OVER TIME AND IS DETERMINED BY THE INSTALLATION ENVIRONMENT.

INSTRUCTIONS PERTAINING TO A RISK OF FIRE, OR INJURY TO PERSONS IMPORTANT SAFETY INSTRUCTIONS

Lighted fixture is HOT!

WARNING - To reduce the risk of FIRE OR INJURY TO PERSONS:

Turn off/unplug and allow to cool before replacing LED. Fixture gets HOT quickly! Contact only switch/plug when turning on. Do not touch hot lens, guard, or enclosure. Keep fixture away from materials that may burn. Do not operate the luminaire fitting with a missing or damaged shield. Do not touch the source at any time. Use a soft cloth or gloves. Oil from skin may cause damage.

SAVE THESE INSTRUCTIONS

IMPORTANT SAFETY INFORMATION - READ, FOLLOW, AND SAVE ALL SAFETY AND INSTALLATION INSTRUCTIONS

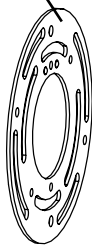
- Product must be installed by a qualified person in a manner consistent with its intended use and in compliance with the National Electrical Code, Canadian Electrical Code, and all Local and Provincial Codes.
- Follow product label information and instructions.
- Qualified Personnel with appropriate personal protective equipment must perform all servicing of this product.
- Before wiring to power supply and during servicing, turn off and lock out power at fuse or circuit breaker before service.
- The use of accessory equipment not recommended by the manufacturer or installed contrary to instructions may cause an unsafe condition. The use of damaged components may cause an unsafe condition and void product warranty.
- Do not block light emanating from product in whole or part, as this may cause an unsafe condition.
- Never operate the fixture with missing or damaged lens. Lens must be cleaned on regular basis.
- Entire fixture may become extremely hot. Do not touch hot lens or fixture body.
- Replace LED assembly only with correct wattage and type of power supply appropriate for LED assembly.
- All gaskets, o-rings and sealing surfaces must be kept clean during installation and service; failure to do this may cause an unsafe condition and void product warranty.

IMPORTANT LISTINGS AND CERTIFICATIONS

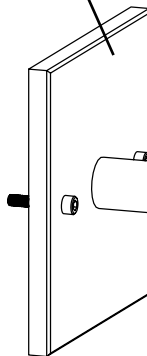
- Suitable for wet locations

Please refer to the low voltage design guide at www.tekaillumination.com/lvguide before installation for proper wire selection.

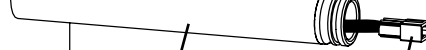
Universal Mounting Ring™



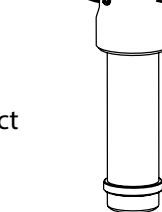
Canopy



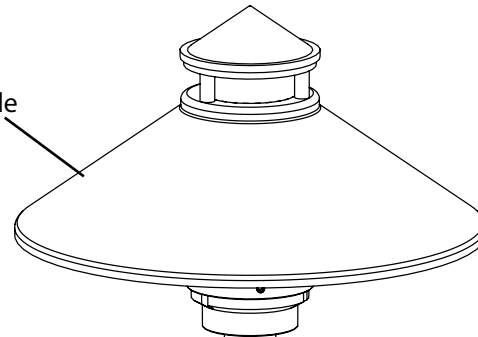
Stem



Quick Disconnect



Shade



T-Stem

IMPORTANT SAFETY INFORMATION - READ, FOLLOW, AND SAVE THESE INSTALLATION INSTRUCTIONS

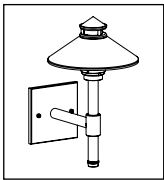
TEKA ILLUMINATION

40429 Brickyard Drive • Madera, CA 93636 • USA
559.438.5800 • FAX 559.438.5900
www.tekaillumination.com • info@tekaillumination.com

DATE
5-3-18

REFERENCE NUMBER
INS-2550-01

THIS DOCUMENT CONTAINS PROPRIETARY INFORMATION OF TEKA ILLUMINATION AND ITS RECEIPT OR POSSESSION DOES NOT CONVEY ANY RIGHTS TO REPRODUCE, DISCLOSE ITS CONTENTS, OR TO MANUFACTURE, USE OR SELL ANYTHING IT MAY DESCRIBE. REPRODUCTION, DISCLOSURE OR USE WITHOUT SPECIFIC WRITTEN AUTHORIZATION OF TEKA ILLUMINATION IS STRICTLY FORBIDDEN.



the power of



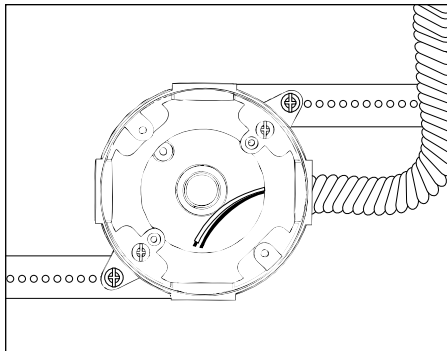
MINIATURE BEACON WALL™ (MBW)

Standard Canopy Installation Instructions



Phase 1 - Rough In

Installation of Back box

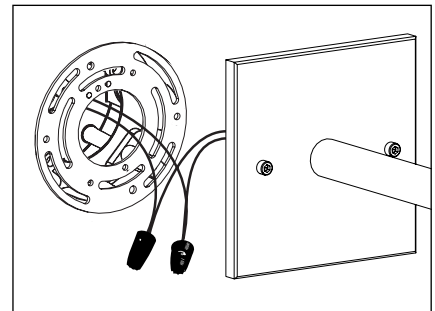
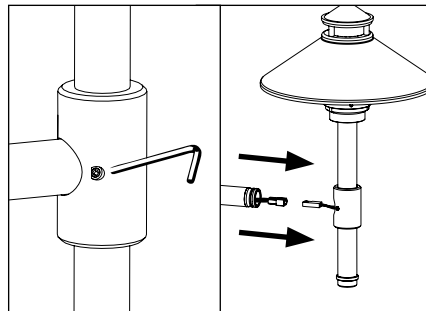
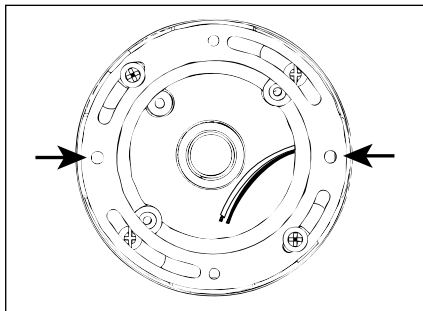


Additional Info

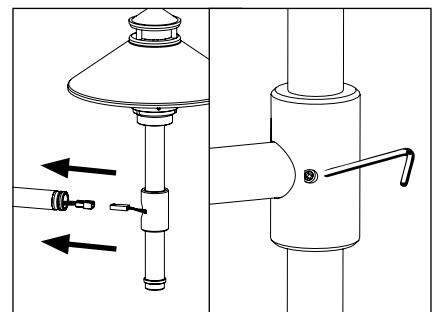
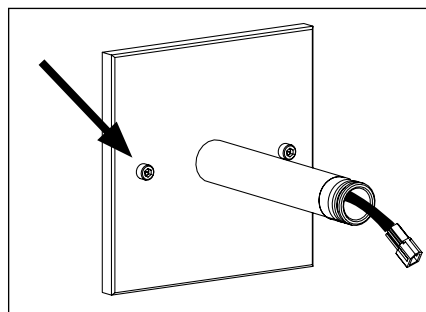
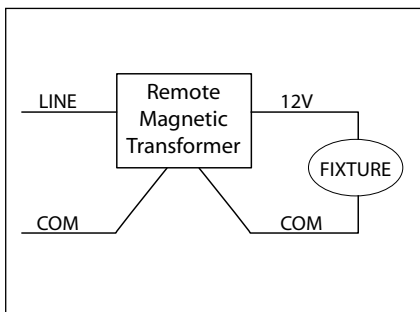
- Please follow National and Local electrical codes for your area.
- Suitable for through wire.
- Suitable for installation into combustible materials.
- Rated for 90° C.
- Junction box, universal mounting ring screws, box mounting hardware and gaskets (By Others)

1. Install Conduit (By Others) to be used with this product.
2. Install junction box so that front face is flush with finished wall. Seal building envelope as per NEC.
3. Connect box to conduit and pull wires for connections (See wiring diagram).

Phase 2 - Fixture Installation



1. Install universal mounting ring (supplied with fixture) with #10-24 screws onto back box. Align fixture mounting holes to final mounting position. Mounting position will affect orientation of fixture.
2. Loosen T-stem set screws using a 5/64" Allen wrench. Loosen T-stem stem to access quick disconnects. Disconnect fixture from canopy stem.
3. Make watertight connections from remote transformer to fixture leads using waterproof wire connectors. (By Others) **See wiring diagram.**



4. Mount canopy to junction box with universal mounting ring using two (2) #10-24 stainless steel black oxide screws with 1/8" Allen wrench. Mounting position will affect orientation of fixture. **Seal building envelope as per NEC. Do not overtighten.**
5. Connect quick disconnect from fixture body to fixture leads.
6. Slide fixture body onto T-stem, then tighten two (2) #8-32 set screws with 5/64" Allen wrench.

WIRING DIAGRAM

LED - For use with 12VAC BESSL remote transformer or magnetic transformers only. TEKA Illumination cannot guarantee performance with third party manufacturers' transformers.

**IMPORTANT SAFETY INFORMATION LISTED ON REVERSE
READ, FOLLOW, AND SAVE ALL SAFETY AND INSTALLATION INSTRUCTIONS**

