

CARDINAL FLOODLIGHT™ (CAF)



Warning



Hot Surface



Wear Gloves



Low Voltage

NEEDED FOR INSTALLATION:

- 5/64", 9/64" & 5/32" Allen Wrench
- Waterproof Wire Connectors
- Mounting Hardware
- Gloves

By others

INSTRUCTIONS PERTAINING TO A RISK OF FIRE, OR INJURY TO PERSONS IMPORTANT SAFETY INSTRUCTIONS

Lighted fixture is HOT!

WARNING - To reduce the risk of FIRE OR INJURY TO PERSONS:

Turn off/unplug and allow to cool before replacing LED. Fixture gets HOT quickly! Contact only switch/plug when turning on. Do not touch hot lens, guard, or enclosure. Keep fixture away from materials that may burn. Do not operate the luminaire fitting with a missing or damaged shield. Do not touch the source at any time. Use a soft cloth or gloves. Oil from skin may cause damage.

SAVE THESE INSTRUCTIONS

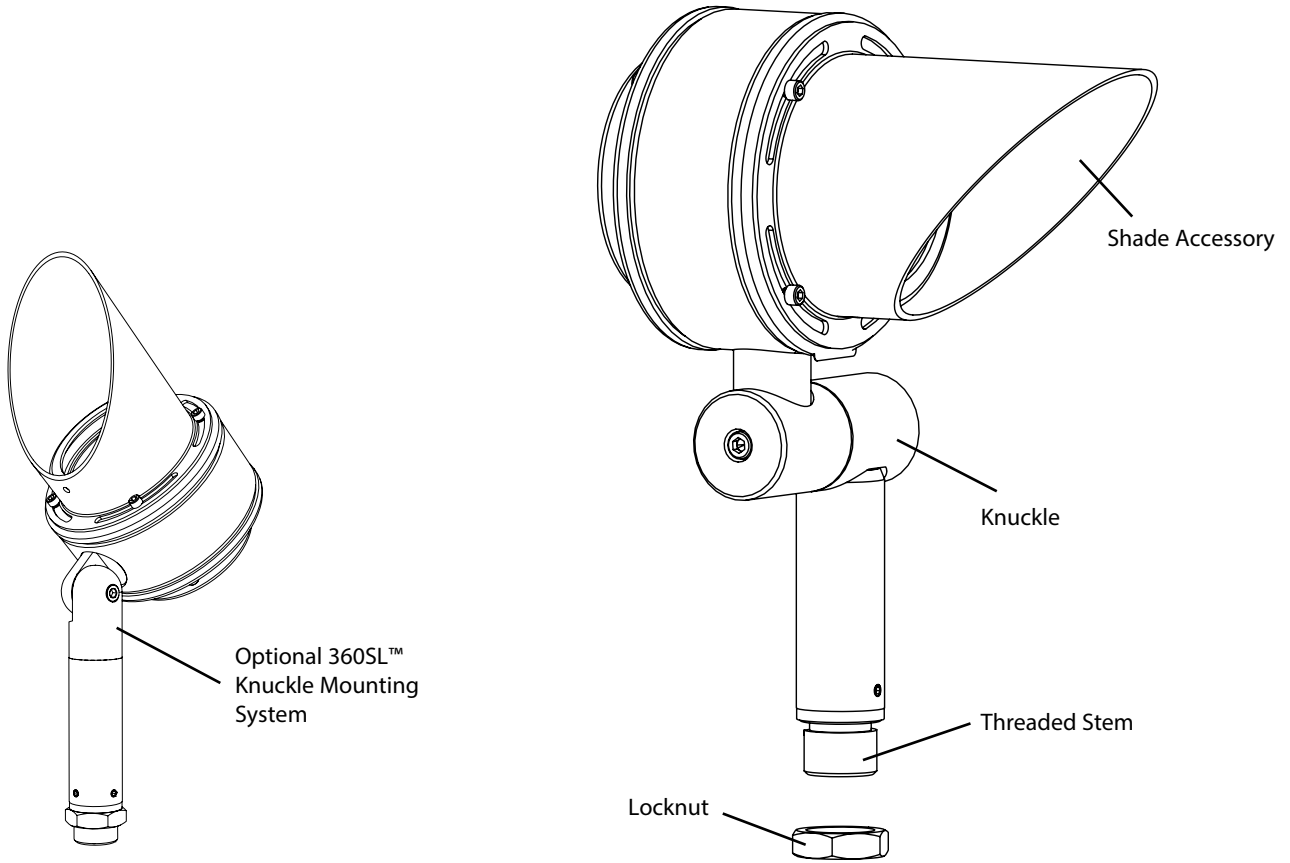
IMPORTANT SAFETY INFORMATION - READ, FOLLOW, AND SAVE ALL SAFETY AND INSTALLATION INSTRUCTIONS

- Product must be installed by a qualified person in a manner consistent with its intended use and in compliance with the National Electrical Code, Canadian Electrical Code, and all Local and Provincial Codes.
- Follow product label information and instructions.
- Qualified Personnel with appropriate personal protective equipment must perform all servicing of this product.
- Before wiring to power supply and during servicing, turn off and lock out power at fuse or circuit breaker before service.
- The use of accessory equipment not recommended by the manufacturer or installed contrary to instructions may cause an unsafe condition. The use of damaged components may cause an unsafe condition and void product warranty.
- Do not block light emanating from product in whole or part, as this may cause an unsafe condition.
- Never operate the fixture with missing or damaged lens. Lens must be cleaned on regular basis.
- Entire fixture may become extremely hot. Do not touch hot lens or fixture body.
- Replace LED assembly only with correct wattage and type of power supply appropriate for LED assembly.
- All gaskets, o-rings and sealing surfaces must be kept clean during installation and service; failure to do this may cause an unsafe condition and void product warranty.

IMPORTANT LISTINGS AND CERTIFICATIONS

- Suitable for wet locations

Please refer to the low voltage design guide at www.tekaillumination.com/lvguide before installation for proper wire selection.



IMPORTANT SAFETY INFORMATION - READ, FOLLOW, AND SAVE THESE INSTALLATION INSTRUCTIONS

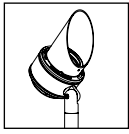
TEKA ILLUMINATION

40429 Brickyard Drive • Madera, CA 93636 • USA
 559.438.5800 • FAX 559.438.5900
www.tekaillumination.com • info@tekaillumination.com

DATE
9-26-17

REFERENCE NUMBER
INS-2618-00

THIS DOCUMENT CONTAINS PROPRIETARY INFORMATION OF TEKA ILLUMINATION AND ITS RECEIPT OR POSSESSION DOES NOT CONVEY ANY RIGHTS TO REPRODUCE, DISCLOSE ITS CONTENTS, OR TO MANUFACTURE, USE OR SELL ANYTHING IT MAY DESCRIBE. REPRODUCTION, DISCLOSURE OR USE WITHOUT SPECIFIC WRITTEN AUTHORIZATION OF TEKA ILLUMINATION IS STRICTLY FORBIDDEN.



BKSSL
SOLID STATE LIGHTING

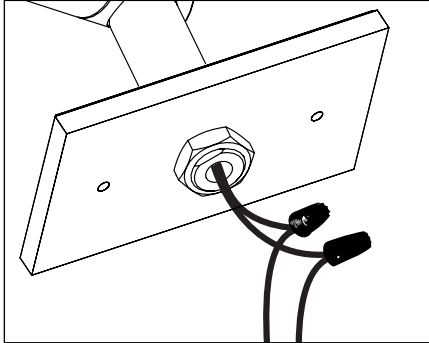
the power of  with adjust-e-lume[®] TECHNOLOGY

CARDINAL FLOODLIGHT™ (CAF)

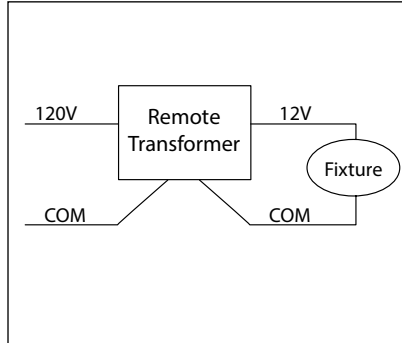


Must install to a suitable enclosure.

Standard Fixture Installation





1. Mount fixture onto suitable enclosure according to designed lighting plan. Use locknut to secure.

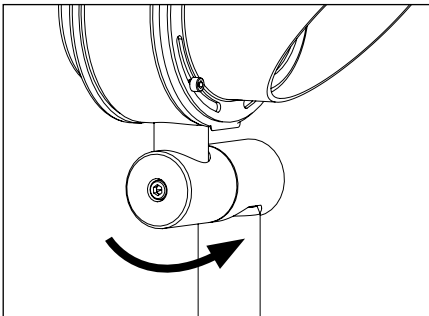


WIRING DIAGRAM


2. Make watertight connections from remote transformer to fixture leads using waterproof wire connectors (By Others). See wiring diagram.

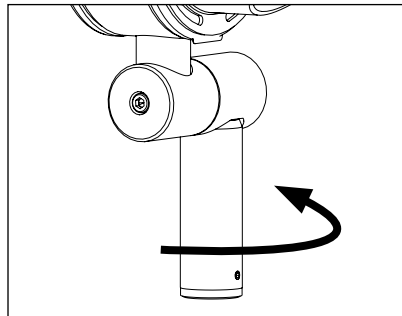
 **LED - For use with 12VAC  remote transformer or magnetic transformers only. Teka Illumination cannot guarantee performance with third party manufacturers' transformers.**

Aiming Standard Knuckle

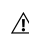


1. To aim vertically, loosen the lamp head adjustment screw using a 5/32" Allen wrench, adjust as needed, then secure aiming position by tightening lamp head adjustment screw.

 **Do not rotate more than 360 degrees to avoid wire damage.**



2. To aim horizontally, loosen the two (2) #8-32 stem adjustment screws using a 5/64" Allen wrench, adjust as needed, then secure aiming position by tightening screws.

 **Do not rotate more than 360 degrees to avoid wire damage.**

**IMPORTANT SAFETY INFORMATION LISTED ON REVERSE
READ, FOLLOW, AND SAVE ALL SAFETY AND INSTALLATION INSTRUCTIONS**

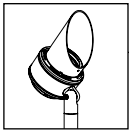


TEKA ILLUMINATION

40429 Brickyard Drive • Madera, CA 93636 • USA
559.438.5800 • FAX 559.438.5900
www.tekailumination.com • info@tekailumination.com

DATE
9-26-17

REFERENCE NUMBER
INS-2618-00

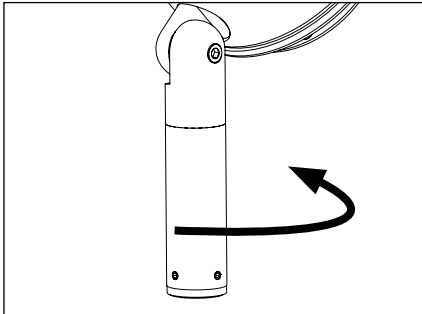


BIGGAL
SOLID STATE LIGHTING

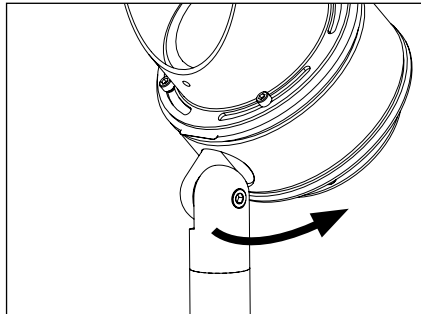
the power of
with adjust-e-lume[®]
TECHNOLOGY

CARDINAL FLOODLIGHT™ (CAF)

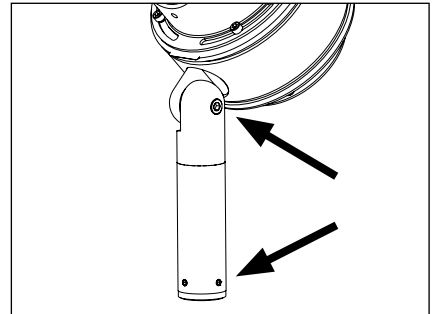
TEKA 360SL™ Knuckle



1. Use 5/64" Allen wrench to slightly loosen two (2) #8-32 stainless steel set screws on the stem for 360° aiming purpose.
2. Rotate fixture at base and aim fixture to desired horizontal location.



3. Use 5/32" Allen wrench to loosen #10-32 stainless steel black oxide socket head cap screw at the knuckle for vertical aiming purpose.

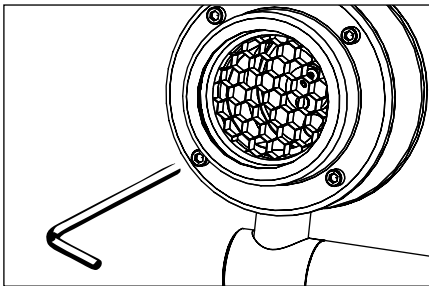


4. Tighten two (2) #8-32 stainless steel set screws on stem to secure horizontal aiming position.

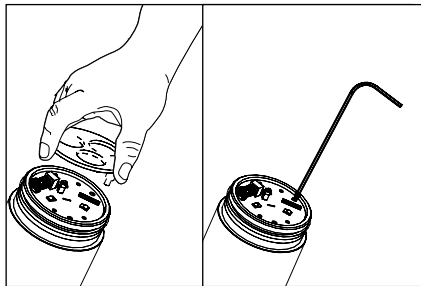
Tighten #10-32 stainless steel black oxide socket head cap screw to 15 in-lbs minimum to 30 in-lbs maximum to secure vertical aiming position.

⚠ Warning: Do not over tighten set screw. Doing so will compromise O-ring seal and will void warranty.

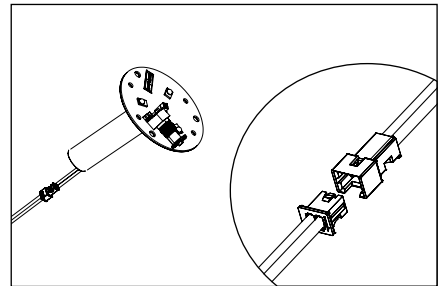
Re-Placing LED Board/Driver and Optics



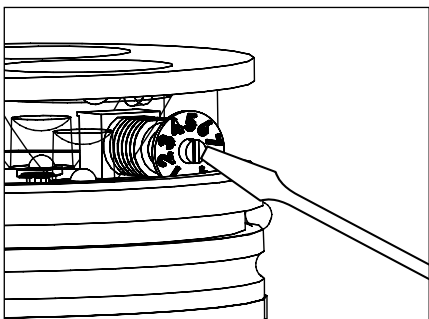
1. Use 9/64" Allen wrench to loosen (4) #8-32 stainless steel socket head screws to remove lens bezel.



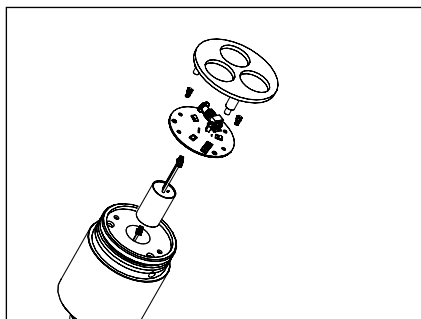
2. Space three fingers evenly around the optic and gently rock optic to remove.
3. Use 5/64" Allen wrench to remove two (2) #2-56 socket head cap screws on LED board, grasp LED board and gently pull up to expose quick disconnect.



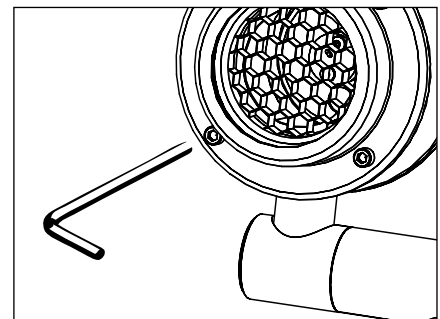
4. Disengage LED board and driver assembly. Replace with new board and driver assembly.



5. With small flat head screw driver rotate Adjust-e-Lume® dial to desired lumen output.



6. Reverse install LED board and driver.



7. Re-install lens bezel. Tighten evenly.

⚠ Do not exceed the maximum wattage listed on the fixture label before installing.

**IMPORTANT SAFETY INFORMATION LISTED ON REVERSE
READ, FOLLOW, AND SAVE ALL SAFETY AND INSTALLATION INSTRUCTIONS**



TEKA ILLUMINATION

40429 Brickyard Drive • Madera, CA 93636 • USA
559.438.5800 • FAX 559.438.5900
www.tekailumination.com • info@tekailumination.com

DATE
9-26-17

REFERENCE NUMBER
INS-2618-00