

the power of 

PINNACLE FLOODLIGHT™ (PNF)



Warning



Hot Surface



Wear Gloves



Low Voltage

NEEDED FOR INSTALLATION:



5/32" Allen Wrench



Waterproof Wire Connectors



Gloves

By Others

IMPORTANT SAFETY INFORMATION - READ, FOLLOW, AND SAVE THESE INSTALLATION INSTRUCTIONS



IMPORTANT - WEAR GLOVES TO AVOID GETTING FINGERPRINTS ON THIS PRODUCT. MANY TEKA ILLUMINATION PRODUCTS ARE DESIGNED TO NATURALLY PATINA. OILS FROM YOUR SKIN WILL ACCELERATE THIS PROCESS WHERE TOUCHED AND ARE NEARLY IMPOSSIBLE TO REMOVE. THIS PROCESS OCCURS OVER TIME AND IS DETERMINED BY THE INSTALLATION ENVIRONMENT.

INSTRUCTIONS PERTAINING TO A RISK OF FIRE, OR INJURY TO PERSONS IMPORTANT SAFETY INSTRUCTIONS

Lighted fixture is HOT!

WARNING - To reduce the risk of FIRE OR INJURY TO PERSONS:

Turn off/unplug and allow to cool before replacing LED. Fixture gets HOT quickly! Contact only switch/plug when turning on. Do not touch hot lens, guard, or enclosure. Keep fixture away from materials that may burn. Do not operate the luminaire fitting with a missing or damaged shield. Do not touch the source at any time. Use a soft cloth or gloves. Oil from skin may cause damage.

SAVE THESE INSTRUCTIONS

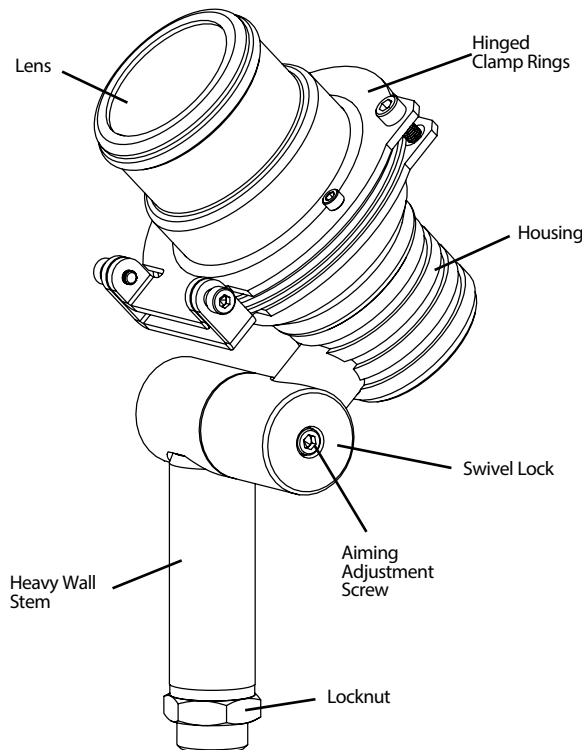
IMPORTANT SAFETY INFORMATION - READ, FOLLOW, AND SAVE ALL SAFETY AND INSTALLATION INSTRUCTIONS

- Product must be installed by a qualified person in a manner consistent with its intended use and in compliance with the National Electrical Code, Canadian Electrical Code, and all Local and Provincial Codes.
- Follow product label information and instructions.
- Qualified Personnel with appropriate personal protective equipment must perform all servicing of this product.
- Before wiring to power supply and during servicing, turn off and lock out power at fuse or circuit breaker before service.
- The use of accessory equipment not recommended by the manufacturer or installed contrary to instructions may cause an unsafe condition. The use of damaged components may cause an unsafe condition and void product warranty.
- Do not block light emanating from product in whole or part, as this may cause an unsafe condition.
- Never operate the fixture with missing or damaged lens. Lens must be cleaned on regular basis.
- Entire fixture may become extremely hot. Do not touch hot lens or fixture body.
- Replace LED assembly only with correct wattage and type of power supply appropriate for LED assembly.
- All gaskets, o-rings and sealing surfaces must be kept clean during installation and service; failure to do this may cause an unsafe condition and void product warranty.

IMPORTANT LISTINGS AND CERTIFICATIONS

- Suitable for wet locations

Please refer to the low voltage design guide at www.tekaillumination.com/lvguide before installation for proper wire selection.



IMPORTANT SAFETY INFORMATION - READ, FOLLOW, AND SAVE THESE INSTALLATION INSTRUCTIONS

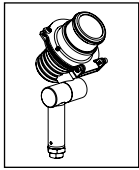
TEKA ILLUMINATION

40429 Brickyard Drive • Madera, CA 93636 • USA
559.438.5800 • FAX 559.438.5900
www.tekaillumination.com • info@tekaillumination.com

RELEASE DATE
8-14-17

REFERENCE NUMBER
INS-2621-00

THIS DOCUMENT CONTAINS PROPRIETARY INFORMATION OF TEKA ILLUMINATION AND ITS RECEIPT OR POSSESSION DOES NOT CONVEY ANY RIGHTS TO REPRODUCE, DISCLOSE ITS CONTENTS, OR TO MANUFACTURE, USE OR SELL ANYTHING IT MAY DESCRIBE. REPRODUCTION, DISCLOSURE OR USE WITHOUT SPECIFIC WRITTEN AUTHORIZATION OF TEKA ILLUMINATION IS STRICTLY FORBIDDEN.



the power of

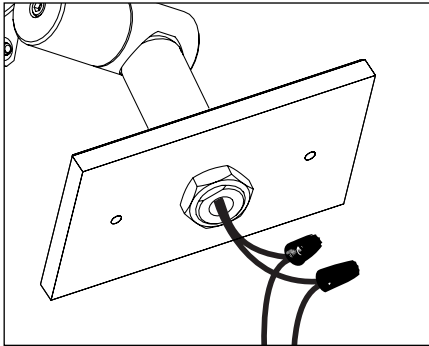


PINNACLE FLOODLIGHT™ (PNF)

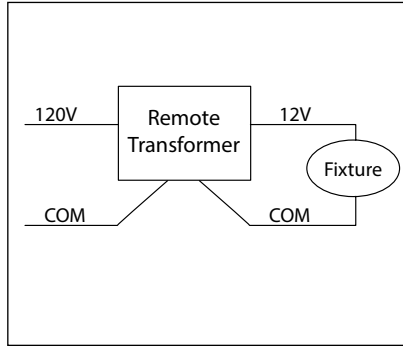


Must install to a suitable enclosure. Recommended for use with Power Pipe™ or Pillar Mount Canopy (PMC).

Standard Fixture Installation



1. Mount fixture onto suitable enclosure according to designed lighting plan. Use locknut to secure.



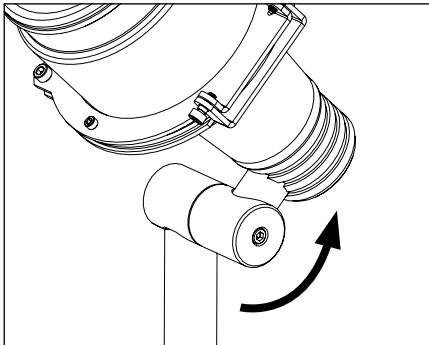
WIRING DIAGRAM

2. Make watertight connections from remote transformer to fixture leads using waterproof wire connectors (By Others). **See wiring diagram.**



LED - For use with 12VAC BKSSL remote transformer or magnetic transformers only. Teka Illumination cannot guarantee performance with third party manufacturers' transformers.

Aiming



1. To aim vertically, loosen the lamp head adjustment screw using a 5/32" Allen wrench, adjust as needed, then secure aiming position by tightening lamp head adjustment screw.



Do not rotate more than 360 degrees to avoid wire damage.

**IMPORTANT SAFETY INFORMATION LISTED ON REVERSE
READ, FOLLOW, AND SAVE ALL SAFETY AND INSTALLATION INSTRUCTIONS**

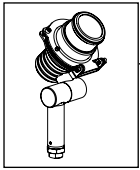


TEKA ILLUMINATION

40429 Brickyard Drive • Madera, CA 93636 • USA
559.438.5800 • FAX 559.438.5900
www.tekaillumination.com • info@tekaillumination.com

RELEASE DATE
8-14-17

REFERENCE NUMBER
INS-2621-00

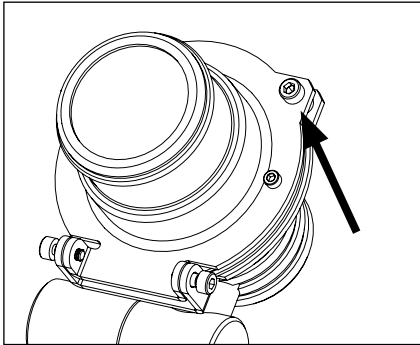


the power of

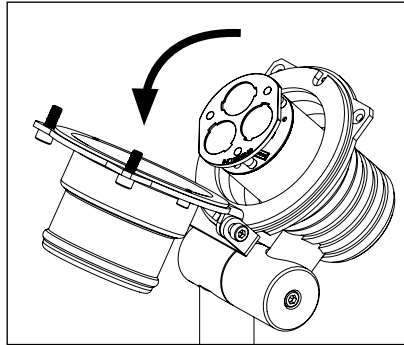


PINNACLE FLOODLIGHT™ (PNF)

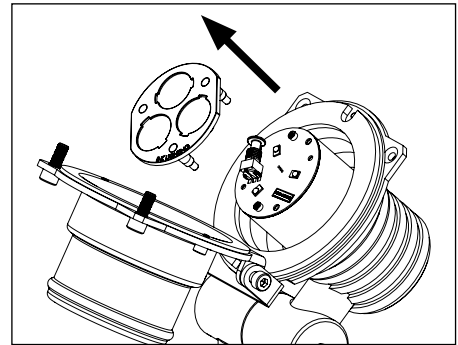
Aiming



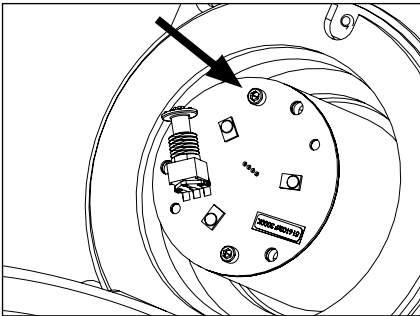
1. Loosen two (2) captive screws on stainless steel clamp rings using 5/32" Allen wrench until the screws disengage from back plate.



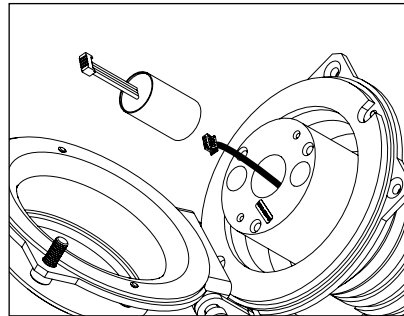
2. Swing lens assembly open.



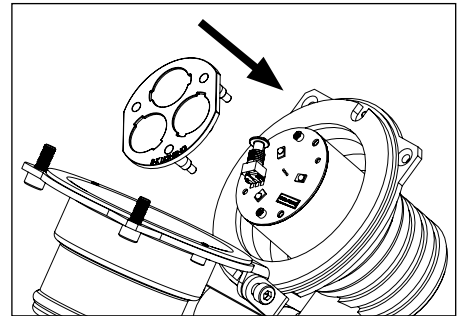
3. Remove optic by pulling gently and lift up.



4. Use .050" Allen wrench to loosen two (2) set screws holding LED module. Gently lift LED module and disconnect from fixture.

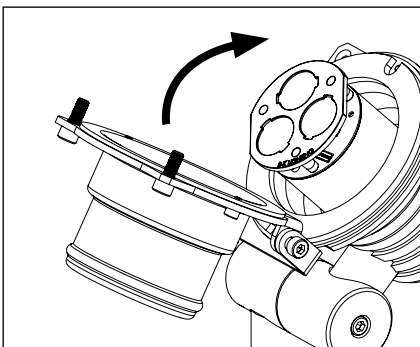


5. Lift out driver, then disconnect from fixture. Hold onto lead from fixture, then install new driver via quick disconnect.

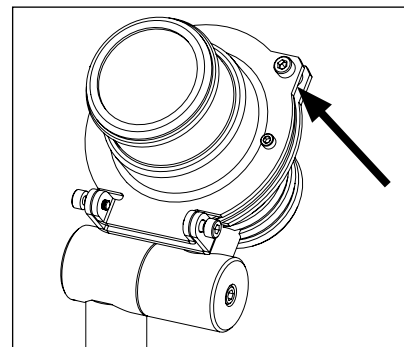


6. Install new LED module. Replace optic by lining tabs with optic holder, then pressing down gently until secured into place.

⚠ Do not pull on connector or wiring. Handle with care.



7. Replace optic by lining tabs with optic holder, then pressing down gently until secured into place.



8. Close swing assembly. Tighten two (2) captive screws on stainless steel clamp rings using 5/32" Allen wrench. Do not overtighten.

**IMPORTANT SAFETY INFORMATION LISTED ON REVERSE
READ, FOLLOW, AND SAVE ALL SAFETY AND INSTALLATION INSTRUCTIONS**



TEKA ILLUMINATION

40429 Brickyard Drive • Madera, CA 93636 • USA
559.438.5800 • FAX 559.438.5900
www.tekaillumination.com • info@tekaillumination.com

RELEASE DATE
8-14-17

REFERENCE NUMBER
INS-2621-00