

LARGE BEACON STEM MOUNT™ (LBS)



Warning



Hot Surface



Wear Gloves



High Voltage

NEEDED FOR INSTALLATION:

By Others

- 5/32" & 0.050" Allen Wrench
- Waterproof Wire Connectors
- Phillips Screwdriver
- Gloves
- Small Pick Tool

IMPORTANT SAFETY INFORMATION - READ, FOLLOW, AND SAVE THESE INSTALLATION INSTRUCTIONS



IMPORTANT - WEAR GLOVES TO AVOID GETTING FINGERPRINTS ON THIS PRODUCT. MANY TEKA ILLUMINATION PRODUCTS ARE DESIGNED TO NATURALLY PATINA. OILS FROM YOUR SKIN WILL ACCELERATE THIS PROCESS WHERE TOUCHED AND ARE NEARLY IMPOSSIBLE TO REMOVE. THIS PROCESS OCCURS OVER TIME AND IS DETERMINED BY THE INSTALLATION ENVIRONMENT.

INSTRUCTIONS PERTAINING TO A RISK OF FIRE, OR INJURY TO PERSONS IMPORTANT SAFETY INSTRUCTIONS

Lighted fixture is HOT!

WARNING - To reduce the risk of FIRE OR INJURY TO PERSONS:

Turn off/unplug and allow to cool before replacing LED. Fixture gets HOT quickly! Contact only switch/plug when turning on. Do not touch hot lens, guard, or enclosure. Keep fixture away from materials that may burn. Do not operate the luminaire fitting with a missing or damaged shield. Do not touch the source at any time. Use a soft cloth or gloves. Oil from skin may cause damage.

SAVE THESE INSTRUCTIONS

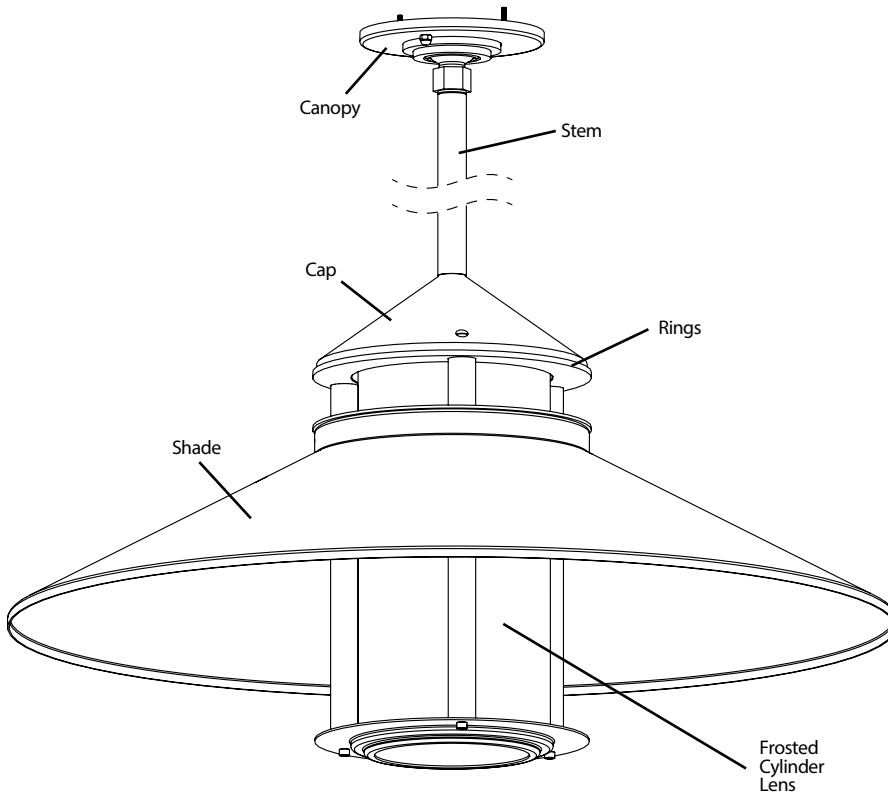
IMPORTANT SAFETY INFORMATION - READ, FOLLOW, AND SAVE ALL SAFETY AND INSTALLATION INSTRUCTIONS

- Product must be installed by a qualified person in a manner consistent with its intended use and in compliance with the National Electrical Code, Canadian Electrical Code, and all Local and Provincial Codes.
- Follow product label information and instructions.
- Qualified Personnel with appropriate personal protective equipment must perform all servicing of this product.
- Before wiring to power supply and during servicing, turn off and lock out power at fuse or circuit breaker before service.
- The use of accessory equipment not recommended by the manufacturer or installed contrary to instructions may cause an unsafe condition. The use of damaged components may cause an unsafe condition and void product warranty.

- Do not block light emanating from product in whole or part, as this may cause an unsafe condition.
- Never operate the fixture with missing or damaged lens. Lens must be cleaned on regular basis.
- Entire fixture may become extremely hot. Do not touch hot lens or fixture body.
- Replace LED assembly only with correct wattage and type of power supply appropriate for LED assembly.
- All gaskets, o-rings and sealing surfaces must be kept clean during installation and service; failure to do this may cause an unsafe condition and void product warranty.

IMPORTANT LISTINGS AND CERTIFICATIONS

- Suitable for wet locations



REMOTE WIRING

LED Driver

Remote driver installations require inter-connected wiring between the LED and driver (by others). Drivers have specific wiring requirements between these components. Driver manufacturers regularly recommend the following wiring details for such installations:

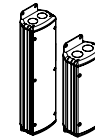
- Do not exceed 50 foot overall wiring distance using 12 gauge copper wire.

Failure to comply with specific wiring requirements will void product warranty.

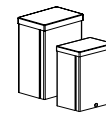
DRIVER HOUSING REQUIRED
Please refer to specified remote driver housing documentation for detailed installation instructions.

REMOTE DRIVER HOUSINGS:

- PM3RM** - Universal Power Module 3 Remote
- PM3DRM** - Universal Power Module 3 Dual Remote
- RM** - Remote Wall Mount
- DRM** - Dual Remote Wall Mount



PM3RM & PM3DRM



RM & DRM

IMPORTANT SAFETY INFORMATION - READ, FOLLOW, AND SAVE THESE INSTALLATION INSTRUCTIONS

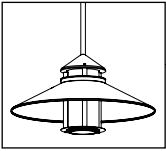
TEKA ILLUMINATION

40429 Brickyard Drive • Madera, CA 93636 • USA
559.438.5800 • FAX 559.438.5900
www.tekaillumination.com • info@tekaillumination.com

RELEASE DATE
5-4-18

REFERENCE NUMBER
INS-2690-00

THIS DOCUMENT CONTAINS PROPRIETARY INFORMATION OF TEKA ILLUMINATION AND ITS RECEIPT OR POSSESSION DOES NOT CONVEY ANY RIGHTS TO REPRODUCE, DISCLOSE ITS CONTENTS, OR TO MANUFACTURE, USE OR SELL ANYTHING IT MAY DESCRIBE. REPRODUCTION, DISCLOSURE OR USE WITHOUT SPECIFIC WRITTEN AUTHORIZATION OF TEKA ILLUMINATION IS STRICTLY FORBIDDEN.



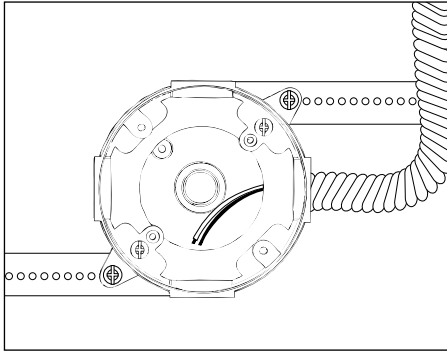
THE POWER OF
BKSSL
SOLID STATE LIGHTING



LARGE BEACON STEM MOUNT™ (LBS)

Phase 1 - Rough In

Installation of Back box



Additional Info

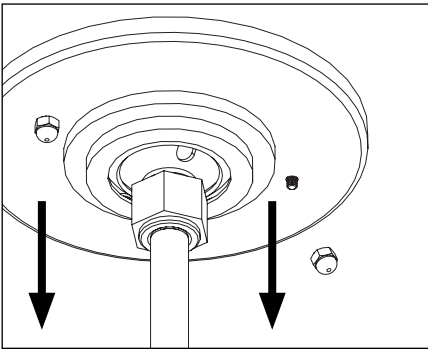
- Please follow National and Local electrical codes for your area.
- Suitable for through wire.
- Suitable for installation into combustible materials.
- Rated for 90° C.
- Junction box, universal mounting ring screws, box mounting hardware and gaskets (By Others)

⚠ **Use heavy-duty pendant adapter if luminaire weight exceeds 50 lbs.**

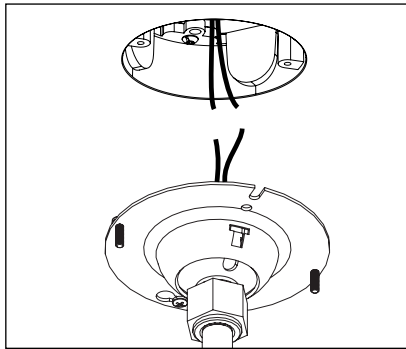
⚠ **Junction box must be secured to a structural member suitable for weight of the luminaire and other weight likely to be placed upon it.**

1. Install Conduit (By Others) to be used with this product.
2. Install junction box so that front face is flush with finished ceiling.
3. Connect box to conduit and pull wires for connections (See wiring diagram).

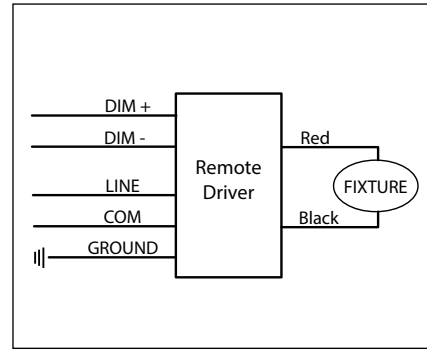
Installation of Fixture



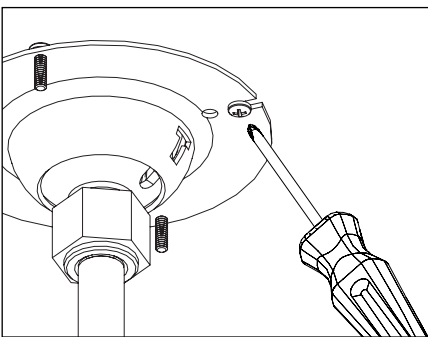
1. Hand loosen then remove two (2) decorative cover nuts, then slide decorative canopy down stem to expose mounting plate.



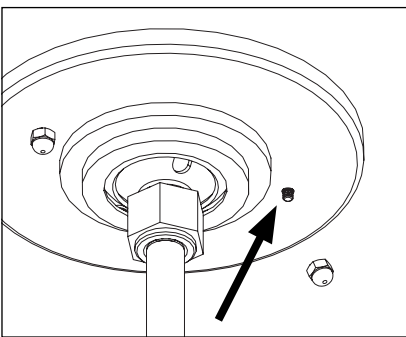
2. Make watertight connections from remote driver to fixture leads using waterproof wire connectors (By Others). **See wiring diagram.**



WIRING DIAGRAM



3. Secure canopy plate to junction box with two (2) #6-32 Phillips screws using Phillips screwdriver. **Seal building envelope as per NEC. Do not overtighten.**



4. Slide decorative canopy cover up stem into place and secure to mounting plate by hand-tightening provided two (2) decorative cover nuts.

**IMPORTANT SAFETY INFORMATION LISTED ON REVERSE
READ, FOLLOW, AND SAVE ALL SAFETY AND INSTALLATION INSTRUCTIONS**

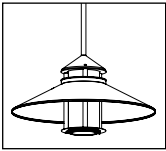


TEKA ILLUMINATION

40429 Brickyard Drive • Madera, CA 93636 • USA
559.438.5800 • FAX 559.438.5900
www.tekailumination.com • info@tekailumination.com

RELEASE DATE
5-4-18

REFERENCE NUMBER
INS-2690-00

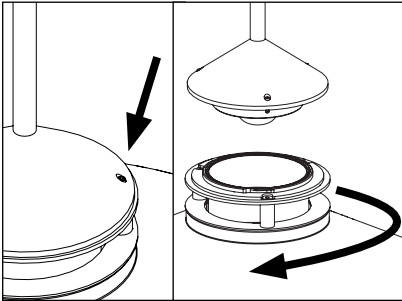


BK55L
SOLID STATE LIGHTING



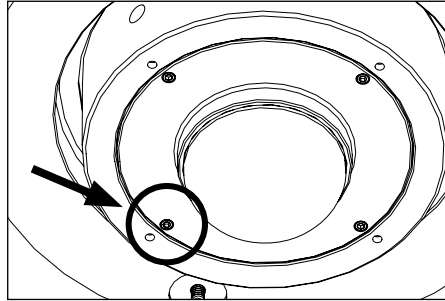
LARGE BEACON STEM MOUNT™ (LBS)

To Replace Components

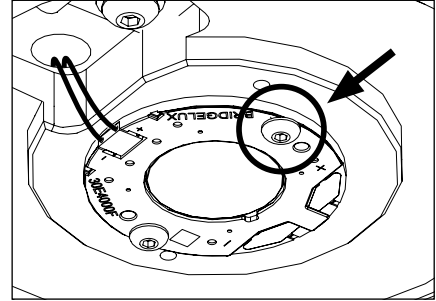


1. Loosen (3) #10-24 set screws on cap with 5/32" Allen wrench. Retain screws in cap.

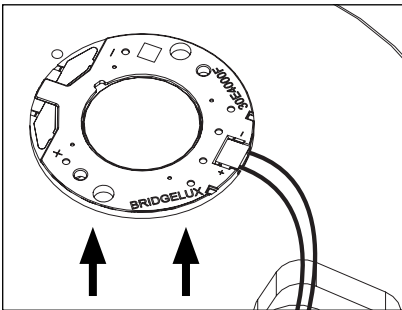
Twist fixture body, then pull away.



2. Loosen four (4) #4-40 set screws on dome lens optic holder using 0.050" Allen wrench. Gently remove dome lens.

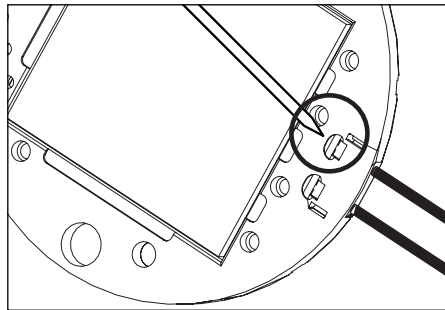


3. Loosen two (2) #4-40 screws with 0.050" Allen wrench. Gently pull optic holder off heatsink.



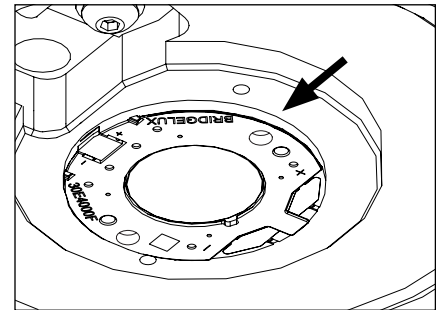
4. Carefully remove LED module from heatsink.

⚠ **Do not pull on connector or wiring. Handle with care.**



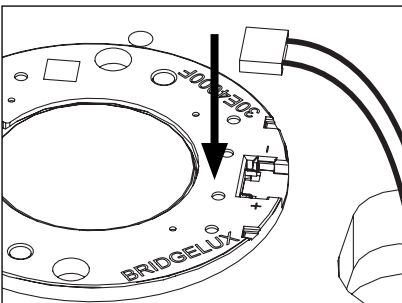
5. Use small pick tool to push connector off LED board through two small slots behind connector. Once loose, lift connector upwards and off board.

⚠ **Fragile! Do not pull on connector or wiring. Handle with care.**



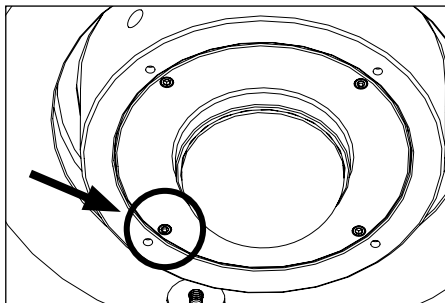
6. Spread thin, even layer of thermal paste on back of new LED module. Place new LED module on heatsink, lining up module with holes for screws.

Tighten two (2) #4-40 screws using 0.050" Allen wrench to secure LED module to heatsink.

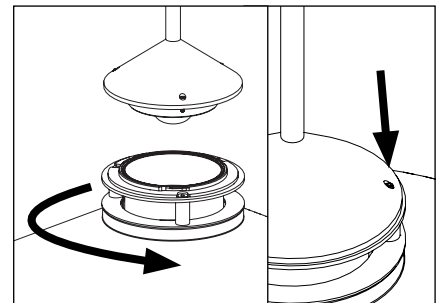


7. Press connector straight downwards into slot on module to snap into place.

⚠ **Connector will only fit in one direction.**



8. Tighten four (4) #4-40 set screws on dome lens optic holder using 0.050" Allen wrench.



9. Line up body assembly ring to cap. Twist into cap to secure. Line up holes in body assembly with holes in cap. Secure by tightening three (3) #10-24 set screws with 5/32" Allen wrench.

⚠ **Warning: Do not over tighten set screw. Doing so will compromise O-Ring seal and will void warranty.**

**IMPORTANT SAFETY INFORMATION LISTED ON REVERSE
READ, FOLLOW, AND SAVE ALL SAFETY AND INSTALLATION INSTRUCTIONS**



TEKA ILLUMINATION

40429 Brickyard Drive • Madera, CA 93636 • USA
559.438.5800 • FAX 559.438.5900
www.tekaillumination.com • info@tekaillumination.com

RELEASE DATE
5-4-18

REFERENCE NUMBER
INS-2690-00