

Installation Instructions



**TOOLS NEEDED:**

- 1/8" & 3/16" Allen Wrench
- Waterproof Wire Connectors
- Adjustable Crescent Wrench

By Others

**INSTRUCTIONS PERTAINING TO A RISK OF FIRE, OR INJURY TO PERSONS IMPORTANT SAFETY INSTRUCTIONS**

**Lighted fixture is HOT!**  
**WARNING - To reduce the risk of FIRE OR INJURY TO PERSONS:**  
 Turn off/unplug and allow to cool before replacing LED. Fixture gets HOT quickly! Contact only switch/plug when turning on. Do not touch hot lens, guard, or enclosure. Keep fixture away from materials that may burn. Do not operate the luminaire fitting with a missing or damaged shield. Do not touch the source at any time. Use a soft cloth or gloves. Oil from skin may cause damage.

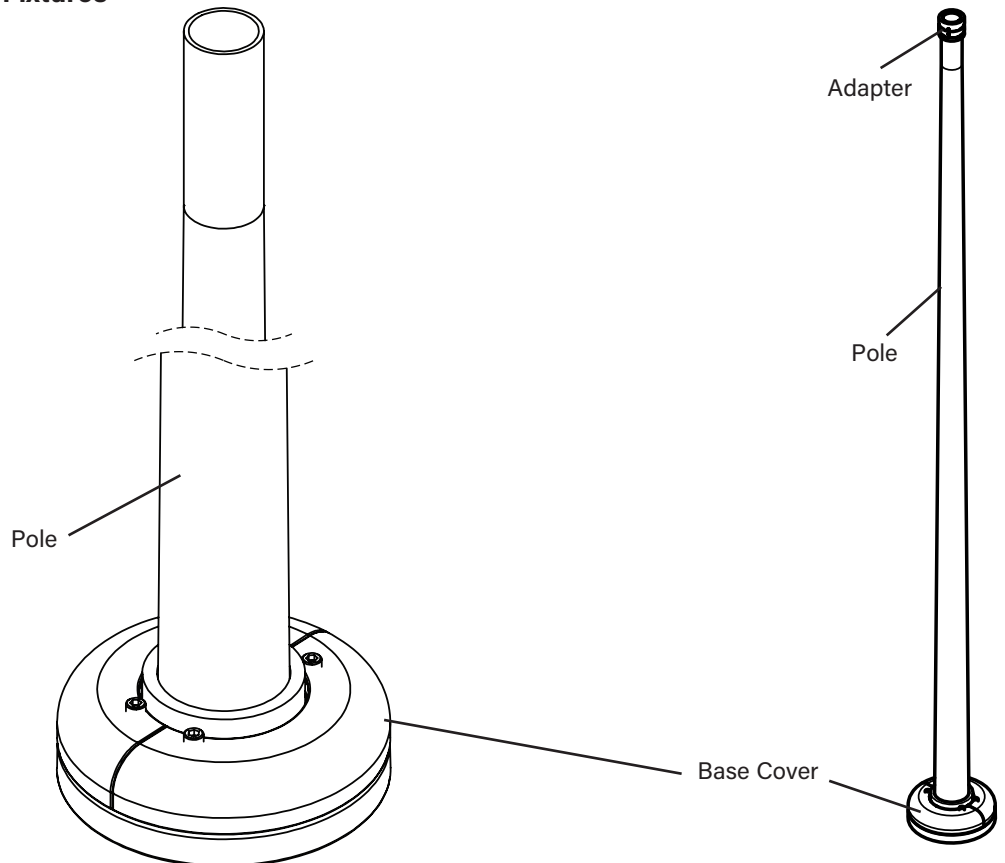
**SAVE THESE INSTRUCTIONS**

**IMPORTANT SAFETY INFORMATION - READ, FOLLOW, AND SAVE ALL SAFETY AND INSTALLATION INSTRUCTIONS**

- Product must be installed by a qualified person in a manner consistent with its intended use and in compliance with the National Electrical Code, Canadian Electrical Code, and all Local and Provincial Codes.
- Follow product label information and instructions.
- Qualified Personnel with appropriate personal protective equipment must perform all servicing of this product.
- Before wiring to power supply and during servicing, turn off and lock out power at fuse or circuit breaker before service.
- The use of accessory equipment not recommended by the manufacturer or installed contrary to instructions may cause an unsafe condition. The use of damaged components may cause an unsafe condition and void product warranty.
- Do not block light emanating from product in whole or part, as this may cause an unsafe condition.
- Never operate the fixture with missing or damaged lens. Lens must be cleaned on regular basis.
- Entire fixture may become extremely hot. Do not touch hot lens or fixture body.
- Replace LED assembly only with correct wattage and type of power supply appropriate for LED assembly.
- All gaskets, o-rings and sealing surfaces must be kept clean during installation and service; failure to do this may cause an unsafe condition and void product warranty.

**IMPORTANT LISTINGS AND CERTIFICATIONS**  
 Suitable for wet locations

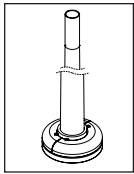
**5" Tapered Round Aluminum Pole with Hinged Base for use with Pole Top Fixtures**



**IMPORTANT SAFETY INFORMATION - READ, FOLLOW, AND SAVE THESE INSTALLATION INSTRUCTIONS**

<b>TEKA</b> ILLUMINATION	40429 Brickyard Drive • Madera, CA 93636 • USA	RELEASE DATE	DRAWING NUMBER
	559.438.5800 • FAX 559.438.5900 www.tekaillumination.com • info@tekaillumination.com	07/08/2021	SUB-2707-00

THIS DOCUMENT CONTAINS PROPRIETARY INFORMATION OF TEKA ILLUMINATION AND ITS RECEIPT OR POSSESSION DOES NOT CONVEY ANY RIGHTS TO REPRODUCE, DISCLOSE ITS CONTENTS, OR TO MANUFACTURE, USE OR SELL ANYTHING IT MAY DESCRIBE. REPRODUCTION, DISCLOSURE OR USE WITHOUT SPECIFIC WRITTEN AUTHORIZATION OF TEKA ILLUMINATION IS STRICTLY FORBIDDEN.



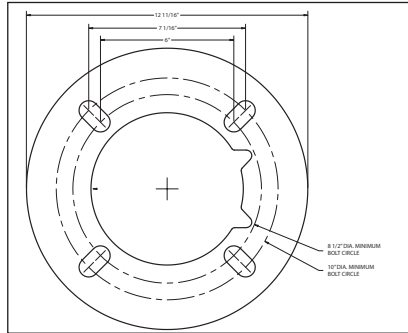
Installation Instructions

**Phase 1 - Install Pole**

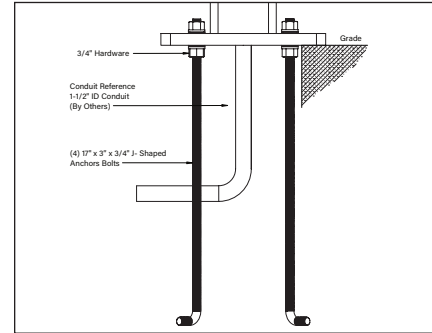
Installation of pole.

1. Install pole according to lighting plan. Install conduit (by others) to be used with this product.
2. Pull wiring necessary for installation (by others.)

- ⚠ **Leave sufficient wire length in the pole for future service.**
- ⚠ **Install as per NEC for location.**

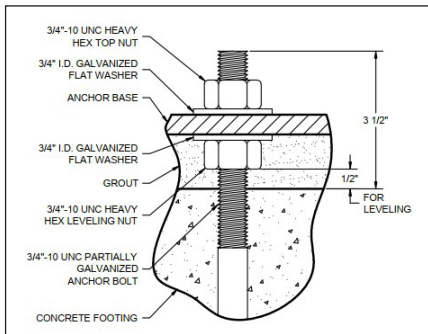


1. Mounting base is 12-11/16" round with a bolt circle of 8-1/2" to 10" in diameter.

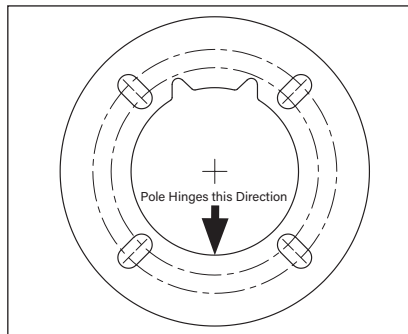


2. Dig hole for conduit installation and deep enough for anchor bolts and concrete footing. See anchor bolt detail step.

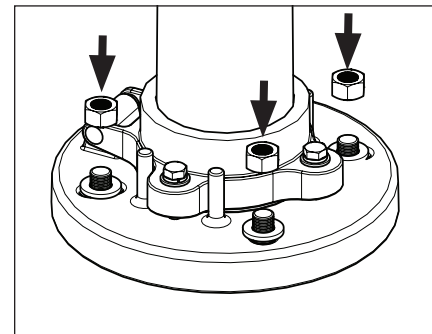
Adequate drainage must be provided in concrete foundation or grout.



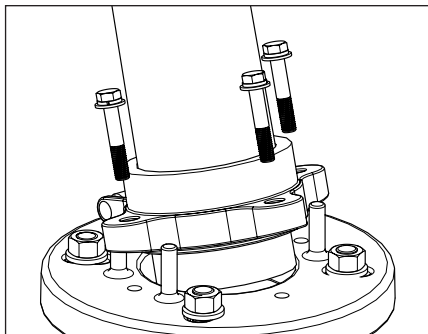
3. Install anchor bolts according to detail to allow pole leveling. Use caution when setting anchor bolts. Bolts must be vertically straight.



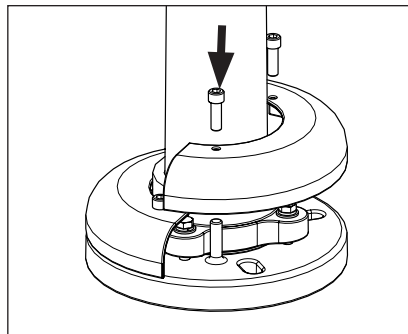
4. To assure proper operation of the hinge mechanism. The electrical supply conduit must not project more than 1-1/2" above the surface of the concrete.



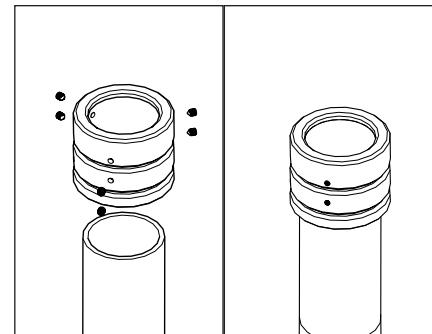
5. Secure pole base to anchor bolts using provided hardware with anchor bolt kit. Tighten securely to prevent hardware from loosening.



6. To tilt pole over hinge base, loosen the three (3) 1/2"-13 stainless bolts. Carefully lower pole into a resting position.



7. If pole comes with cover, place cover on the base of the pole. Secure with the four (4) 1/4"-20 hex screws using a 3/16" allen wrench.



8. Install tenon (provided with fixture ordered separately) onto the pole top. Tighten six (6) 1/4"-20 set screws using a 1/8" allen wrench until tenon is secured.

See fixture head (ordered separately) installation instructions for fixture installation and driver mounting.

**IMPORTANT SAFETY INFORMATION LISTED ON REVERSE READ, FOLLOW, AND SAVE ALL SAFETY AND INSTALLATION INSTRUCTIONS**

