

NEEDED FOR INSTALLATION:  
By Others

- 5/64" & 1/8" Allen Wrench
- Waterproof Wire Connectors
- Gloves
- Adjustable Crescent Wrench

**IMPORTANT SAFETY INFORMATION - READ, FOLLOW, AND SAVE THESE INSTALLATION INSTRUCTIONS**



IMPORTANT - WEAR GLOVES TO AVOID GETTING FINGERPRINTS ON THIS PRODUCT. MANY TEKA ILLUMINATION PRODUCTS ARE DESIGNED TO NATURALLY PATINA. OILS FROM YOUR SKIN WILL ACCELERATE THIS PROCESS WHERE TOUCHED AND ARE NEARLY IMPOSSIBLE TO REMOVE. THIS PROCESS OCCURS OVER TIME AND IS DETERMINED BY THE INSTALLATION ENVIRONMENT.

**INSTRUCTIONS PERTAINING TO A RISK OF FIRE, OR INJURY TO PERSONS IMPORTANT SAFETY INSTRUCTIONS**

**Lighted fixture is HOT!**  
**WARNING - To reduce the risk of FIRE OR INJURY TO PERSONS:**  
 Turn off/unplug and allow to cool before replacing LED. Fixture gets HOT quickly! Contact only switch/plug when turning on. Do not touch hot lens, guard, or enclosure. Keep fixture away from materials that may burn. Do not operate the luminaire fitting with a missing or damaged shield. Do not touch the source at any time. Use a soft cloth or gloves. Oil from skin may cause damage.

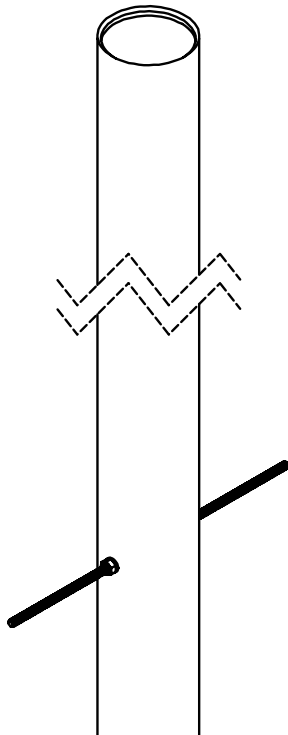
**SAVE THESE INSTRUCTIONS**

**IMPORTANT SAFETY INFORMATION - READ, FOLLOW, AND SAVE ALL SAFETY AND INSTALLATION INSTRUCTIONS**

- Product must be installed by a qualified person in a manner consistent with its intended use and in compliance with the National Electrical Code, Canadian Electrical Code, and all Local and Provincial Codes.
- Follow product label information and instructions.
- Qualified Personnel with appropriate personal protective equipment must perform all servicing of this product.
- Before wiring to power supply and during servicing, turn off and lock out power at fuse or circuit breaker before service.
- The use of accessory equipment not recommended by the manufacturer or installed contrary to instructions may cause an unsafe condition. The use of damaged components may cause an unsafe condition and void product warranty.
- Do not block light emanating from product in whole or part, as this may cause an unsafe condition.
- Never operate the fixture with missing or damaged lens. Lens must be cleaned on regular basis.
- Entire fixture may become extremely hot. Do not touch hot lens or fixture body.
- Replace LED assembly only with correct wattage and type of power supply appropriate for LED assembly.
- All gaskets, o-rings and sealing surfaces must be kept clean during installation and service; failure to do this may cause an unsafe condition and void product warranty.

**IMPORTANT LISTINGS AND CERTIFICATIONS**

- Suitable for wet locations



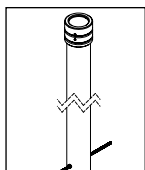
**NOTE: MUST ORDER WITH A POLE TOP TO GET THE ADAPTER. THE POLE DOES NOT COME WITH THE ADAPTER.**

3" O.D. Straight Copper Pole with 3-1/2" O.D Tenon

**IMPORTANT SAFETY INFORMATION - READ, FOLLOW, AND SAVE THESE INSTALLATION INSTRUCTIONS**

<p><b>TEKA</b> ILLUMINATION</p>	<p>40429 Brickyard Drive • Madera, CA 93636 • USA                  559.438.5800 • FAX 559.438.5900  <a href="http://www.tekaillumination.com">www.tekaillumination.com</a> • <a href="mailto:info@tekaillumination.com">info@tekaillumination.com</a></p>	<p>RELEASE DATE                  07/08/2021</p>	<p>REFERENCE NUMBER                  INS-2848-00</p>
---------------------------------	---	---	--

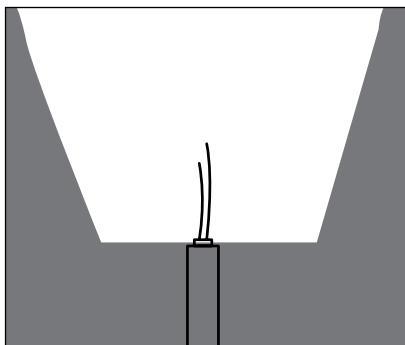
THIS DOCUMENT CONTAINS PROPRIETARY INFORMATION AND IS THE PROPERTY OF TEKA ILLUMINATION. IT IS TO BE USED ONLY FOR THE PURPOSES INDICATED HEREIN. NO PART OF THIS DOCUMENT IS TO BE REPRODUCED OR TRANSMITTED IN ANY FORM OR BY ANY MEANS, ELECTRONIC OR MECHANICAL, INCLUDING PHOTOCOPYING, RECORDING, OR BY ANY INFORMATION STORAGE AND RETRIEVAL SYSTEM. TEKA ILLUMINATION IS STRICTLY FORBIDDEN.



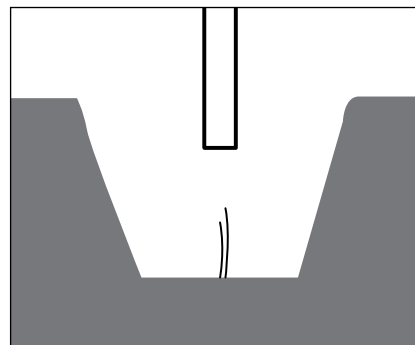
### Phase 1 - Pole Installation



1. Determine installation location according to lighting plan. Dig hole a minimum of 36" deep and 14" wide. Suitable enough to provide clearance of anchor rod, and proper anchorage for pole.

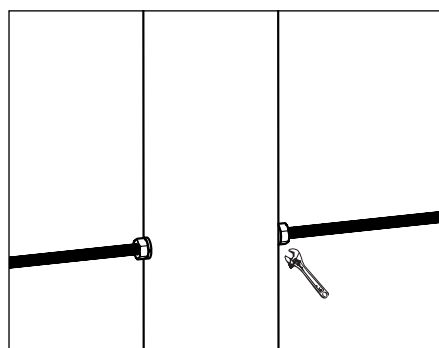


2. Pole may be directly stubbed into through footing with conduit. Install conduit for branch circuit wiring centered with pole position.

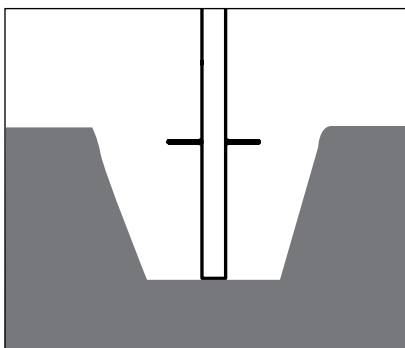


3. Pull branch circuit wiring through conduit necessary for installation.

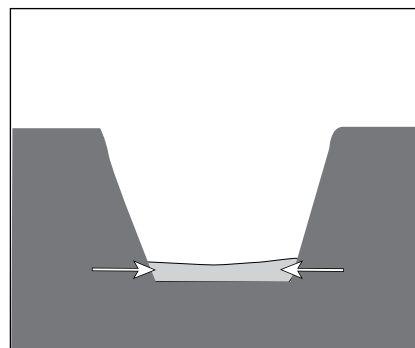
**Note: Field wiring must be continuous within post and be pulled to top of post for splicing and connection to luminaire.**



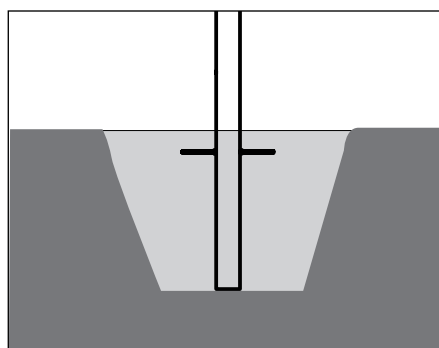
4. Install provided Anchor Rod into pole through hole. Using an adjustable crescent wrench tighten provided hex nuts against pole base.



5. Place pole over installed conduit. Pull branch circuit wiring through pole and out the top.



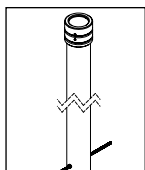
6. Per DIG-IT Guide, backfill the bottom of pole and bottom of hole with sand for drainage.



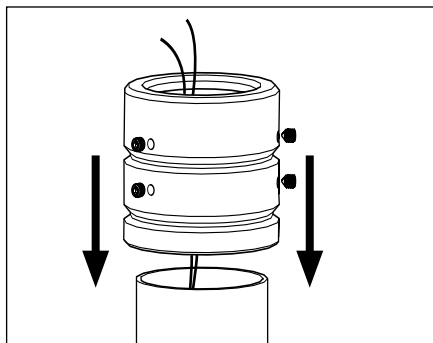
7. For concrete installation: Fill the hole around the base of pole 24" below grade with clean fill dirt and tamp carefully to prevent further settling. Pour concrete and finish as required flush with finished grade.

**IMPORTANT SAFETY INFORMATION LISTED ON REVERSE  
READ, FOLLOW, AND SAVE ALL SAFETY AND INSTALLATION  
INSTRUCTIONS**

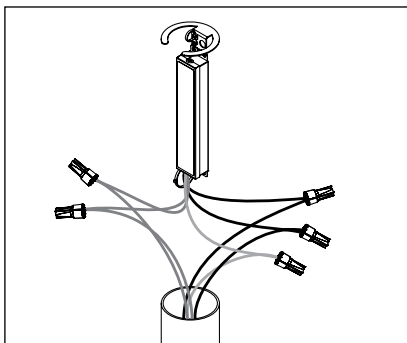




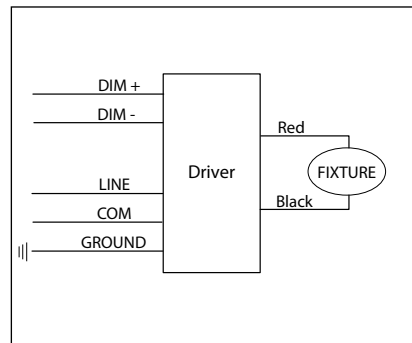
### Phase 2 - Pole Installation with Adapter



1. Install tenon adapter provided onto pole top. Tighten six (6) 1/4-20" set screws using a 1/8" allen wrench until tenon is secured.

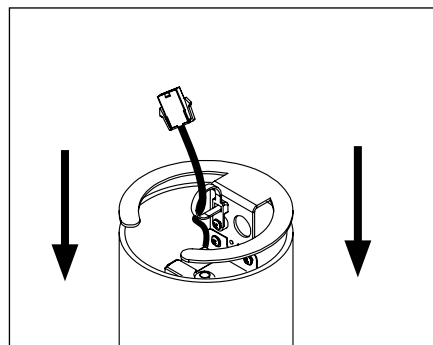


2. Pull primary branch circuit wiring up to driver bracket location at top of pole. Pull incoming dimming controls to top of pole. Feed through strain relief.

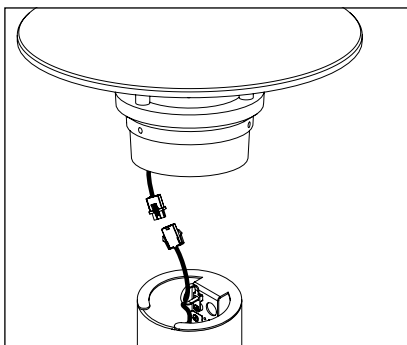


#### WIRING DIAGRAM

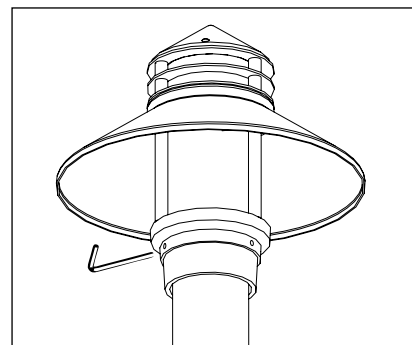
3. Make watertight connections from primary branch circuit to driver leads using waterproof wire connectors (by others). Connect green ground wire to ground wiring from driver. Connect incoming dimming controls to driver primary side dimming controls. Secondary side is connected via quick disconnect. **See wiring diagram.**



4. Place connections and driver on bracket into pole. Rest bracket on pole top or tenon.



5. Make secondary connections via quick disconnect from driver secondary side to fixture secondary side.



6. Slide fixture over pole top. Secure with four (4) 1/4-20 screws using a 1/8" allen wrench. Make sure the fixture is completely seated. **Do not overtighten.**

**IMPORTANT SAFETY INFORMATION LISTED ON REVERSE  
READ, FOLLOW, AND SAVE ALL SAFETY AND INSTALLATION  
INSTRUCTIONS**

