

UNIVERSAL POWER MODULE
UPM



PM2 TREE STRAP™ Driver Housing

Installation Instructions



Warning



High Voltage



Hot Surface

TOOLS NEEDED:

- 1/8" Allen Wrench
- Waterproof Wire Connectors
- Hammer
- Phillips Screwdriver

By Others

INSTRUCTIONS PERTAINING TO A RISK OF FIRE, OR INJURY TO PERSONS IMPORTANT SAFETY INSTRUCTIONS

Lighted fixture is HOT!

WARNING - To reduce the risk of FIRE OR INJURY TO PERSONS:

Turn off/unplug and allow to cool before replacing LED. Fixture gets HOT quickly! Contact only switch/plug when turning on. Do not touch hot lens, guard, or enclosure. Keep fixture away from materials that may burn. Do not operate the luminaire fitting with a missing or damaged shield. Do not touch the source at any time. Use a soft cloth or gloves. Oil from skin may cause damage.

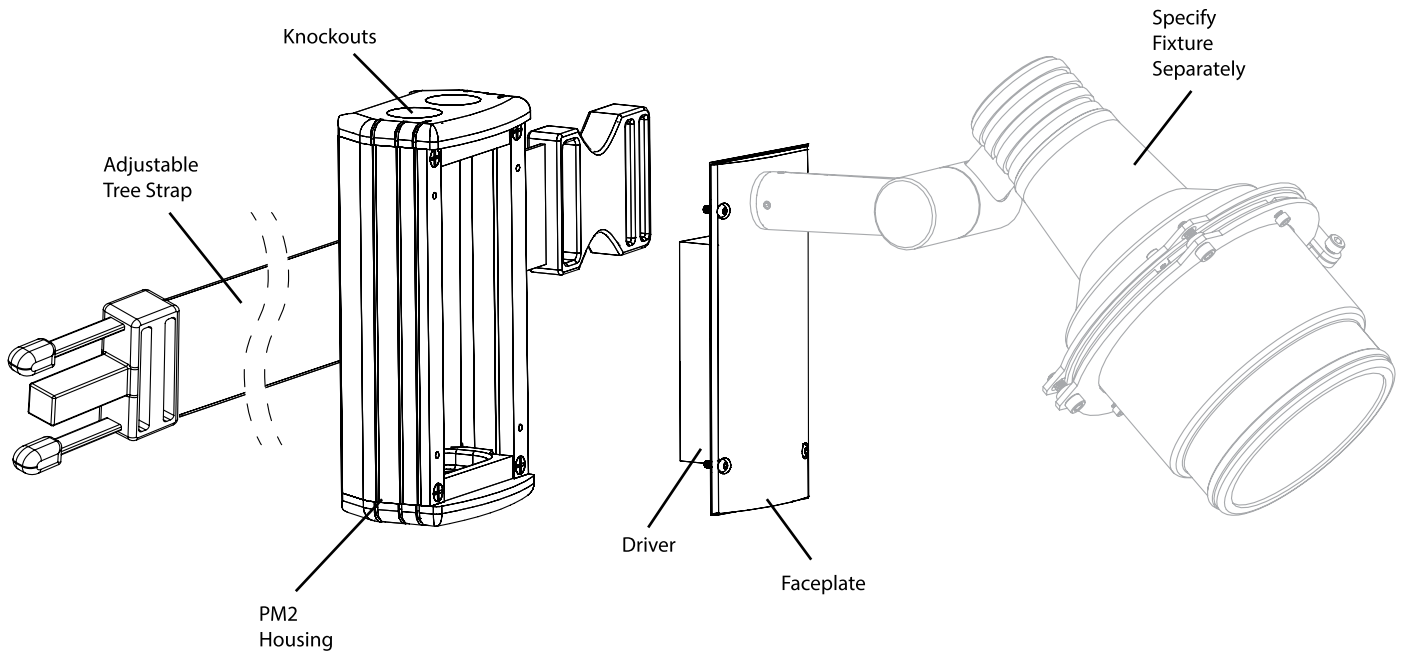
SAVE THESE INSTRUCTIONS

IMPORTANT SAFETY INFORMATION - READ, FOLLOW, AND SAVE ALL SAFETY AND INSTALLATION INSTRUCTIONS

- Product must be installed by a qualified person in a manner consistent with its intended use and in compliance with the National Electrical Code, Canadian Electrical Code, and all Local and Provincial Codes.
- Follow product label information and instructions.
- Qualified Personnel with appropriate personal protective equipment must perform all servicing of this product.
- Before wiring to power supply and during servicing, turn off and lock out power at fuse or circuit breaker before service.
- The use of accessory equipment not recommended by the manufacturer or installed contrary to instructions may cause an unsafe condition. The use of damaged components may cause an unsafe condition and void product warranty.
- Do not block light emanating from product in whole or part, as this may cause an unsafe condition.
- Never operate the fixture with missing or damaged lens. Lens must be cleaned on regular basis.
- Entire fixture may become extremely hot. Do not touch hot lens or fixture body.
- Replace LED assembly only with correct wattage and type of power supply appropriate for LED assembly.
- All gaskets, o-rings and sealing surfaces must be kept clean during installation and service; failure to do this may cause an unsafe condition and void product warranty.

IMPORTANT LISTINGS AND CERTIFICATIONS

- Suitable for wet locations

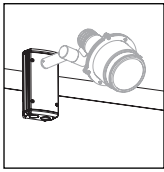


* UPM is covered in whole or in part by US patent #6,940,012

IMPORTANT SAFETY INFORMATION - READ, FOLLOW, AND SAVE THESE INSTALLATION INSTRUCTIONS

TEKA ILLUMINATION	40429 Brickyard Drive • Madera, CA 93636 • USA 559.438.5800 • FAX 559.438.5900 www.tekailumination.com • info@tekailumination.com	RELEASED 9-29-17	REFERENCE NUMBER INS-2643-00
--------------------------	---	---------------------	---------------------------------

THIS DOCUMENT CONTAINS PROPRIETARY INFORMATION OF TEKA ILLUMINATION, INC. AND ITS RECEIPT OR POSSESSION DOES NOT CONVEY ANY RIGHTS TO REPRODUCE, DISCLOSE ITS CONTENTS, OR TO MANUFACTURE, USE OR SELL ANYTHING IT MAY DESCRIBE. REPRODUCTION, DISCLOSURE OR USE WITHOUT SPECIFIC WRITTEN AUTHORIZATION OF TEKA ILLUMINATION, INC. IS STRICTLY FORBIDDEN.

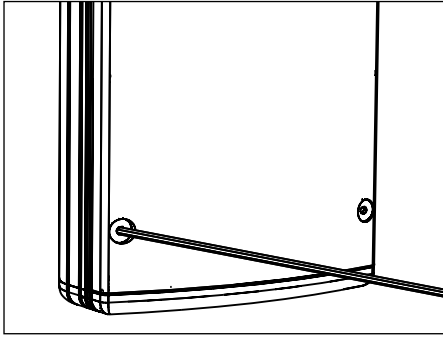


UNIVERSAL POWER MODULE
UPM

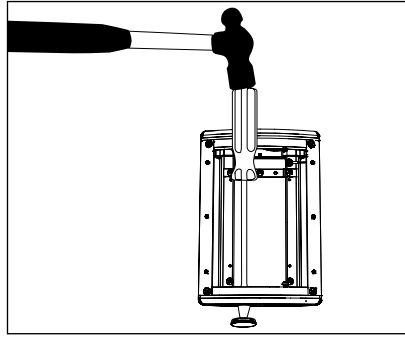
Installation Instructions



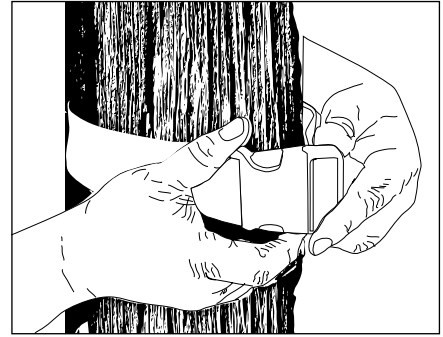
PM2 TREE STRAP™ Driver Housing



1. Loosen (4) #6-32 captive screws using a 5/64" Allen wrench and disconnect quick disconnect to remove faceplate of UPM housing.

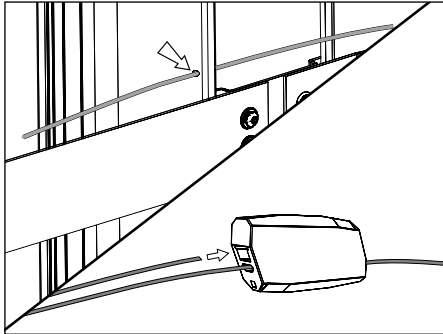


2. Remove Patented Knockout(s) as necessary from the inside of the UPM housing. Leave remaining unused knockouts in place to maintain seal.

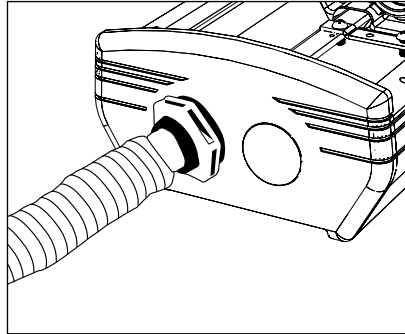


3. Use adjustable strap provided to attach UPM housing to tree. Tighten by pulling on the adjustable strap until secure.

⚠ NOTE: Patented design featuring a silicone 'O' Ring allowing knockout to be tapped back into place to renew seal integrity.

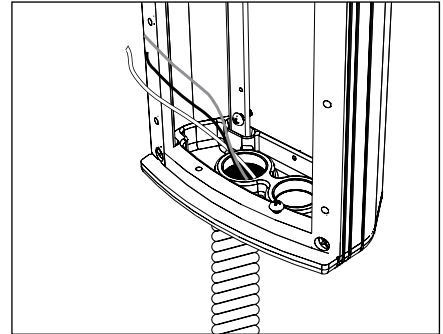


4. Thread safety cable through hole on the back of the UPM housing. Feed safety cable through opposing ends of the connector. Pull on wires to assure the connection is secure. Leave enough slack in safety cable for tree growth. Adjustments can be made by pressing release spring with a pin or 3/64" Allen tool.

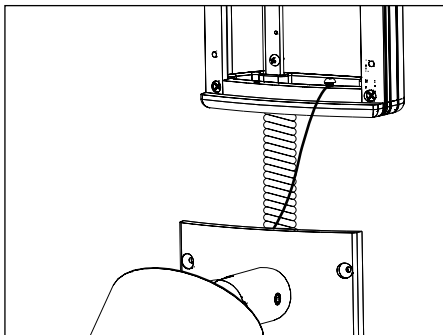


5. Connect 3/4" conduit connector through female threaded conduit entry.

⚠ NOTE: Surface conduit is a common entrance for water if not properly sealed. Seal connector threads and conduit pipe with a suitable sealant (Teflon tape, adhesive, etc). Sealing the conduit after knockouts are removed is required to maintain warranty.

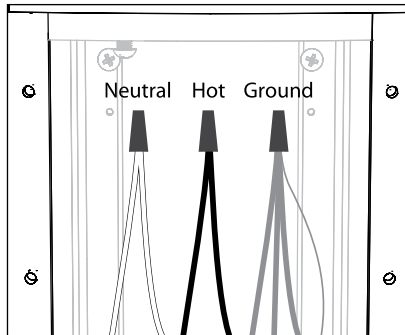


6. Pull branch circuit wiring necessary for installation (By Others).

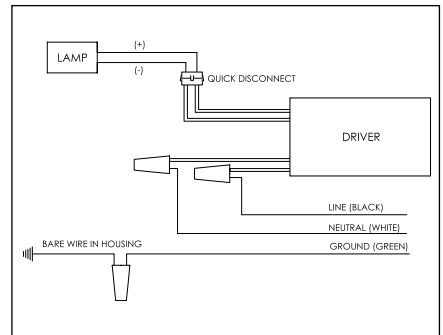


7. Attach tether wire under screw head at the base of the UPM housing and tighten. Slowly lower the faceplate until tether is taut.

⚠ NOTE: Faceplate tether supplied with UPM is designed as an installation aid and NOT a safety cable. Do not add weight to, or drop faceplate.



8. Use waterproof wire connectors (By Others) to connect driver primary leads to branch circuit wires. Connect incoming ground to ground wire provided in UPM housing. See wiring diagram.



WIRING DIAGRAM

**IMPORTANT SAFETY INFORMATION LISTED ON REVERSE
READ, FOLLOW, AND SAVE ALL SAFETY AND INSTALLATION INSTRUCTIONS**

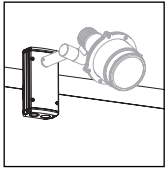


TEKA ILLUMINATION

40429 Brickyard Drive • Madera, CA 93636 • USA
559.438.5800 • FAX 559.438.5900
www.tekaillumination.com • info@tekaillumination.com

RELEASED
9-29-17

REFERENCE NUMBER
INS-2643-00

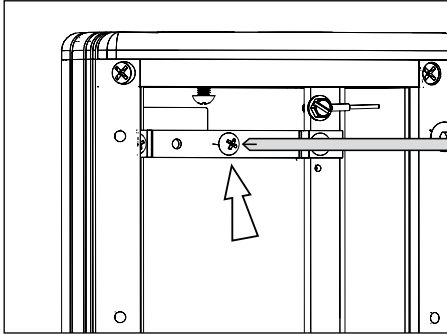


UNIVERSAL POWER MODULE
UPM

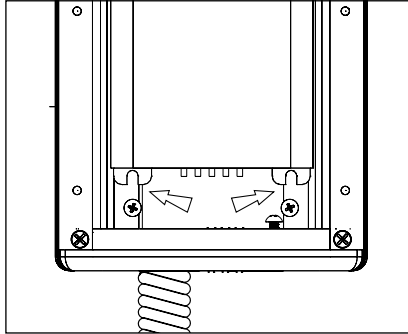
Installation Instructions



PM2 TREE STRAP™ Driver Housing

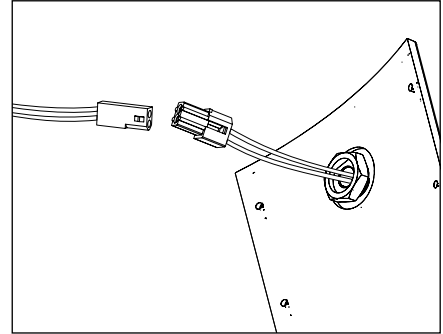


9. Remove the #8-32 screw in UPM housing with Phillips screwdriver.

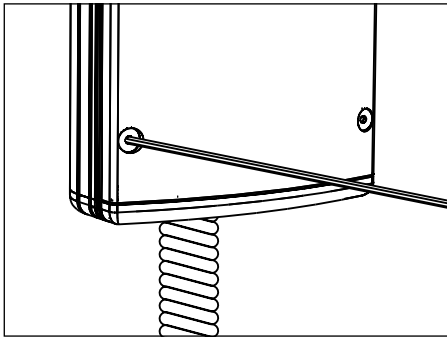


10. Slide driver feet under two screws in UPM housing and tighten screws.

11. Reinstall #8-32 screw on other side of driver and tighten to secure driver in UPM housing.



12. Connect secondary leads to lamp leads using pre-wired factory quick disconnect.



13. Make sure UPM housing gasket is free of any dirt or debris. Attach the faceplate by tightening the (4) #6-32 captive screws evenly to using a 5/64" Allen wrench.

**IMPORTANT SAFETY INFORMATION LISTED ON REVERSE
READ, FOLLOW, AND SAVE ALL SAFETY AND INSTALLATION INSTRUCTIONS**

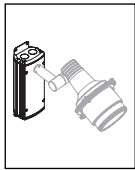


TEKA ILLUMINATION

40429 Brickyard Drive • Madera, CA 93636 • USA
559.438.5800 • FAX 559.438.5900
www.tekaillumination.com • info@tekaillumination.com

RELEASED
9-29-17

REFERENCE NUMBER
INS-2643-00



PM2 SURFACE MOUNT™ Driver Housing

Installation Instructions



Warning



High Voltage



Hot Surface

NEEDED
FOR
INSTALLATION:

- 1/8" & 5/64" Allen wrench
- Waterproof Wire Connectors
- Hammer
- Phillips screwdriver
- 1/4" drill bit and drill
- Mounting hardware

By others

INSTRUCTIONS PERTAINING TO A RISK OF FIRE, OR INJURY TO PERSONS IMPORTANT SAFETY INSTRUCTIONS

Lighted fixture is HOT!

WARNING - To reduce the risk of FIRE OR INJURY TO PERSONS:

Turn off/unplug and allow to cool before replacing LED. Fixture gets HOT quickly! Contact only switch/plug when turning on. Do not touch hot lens, guard, or enclosure. Keep fixture away from materials that may burn. Do not operate the luminaire fitting with a missing or damaged shield. Do not touch the source at any time. Use a soft cloth or gloves. Oil from skin may cause damage.

SAVE THESE INSTRUCTIONS

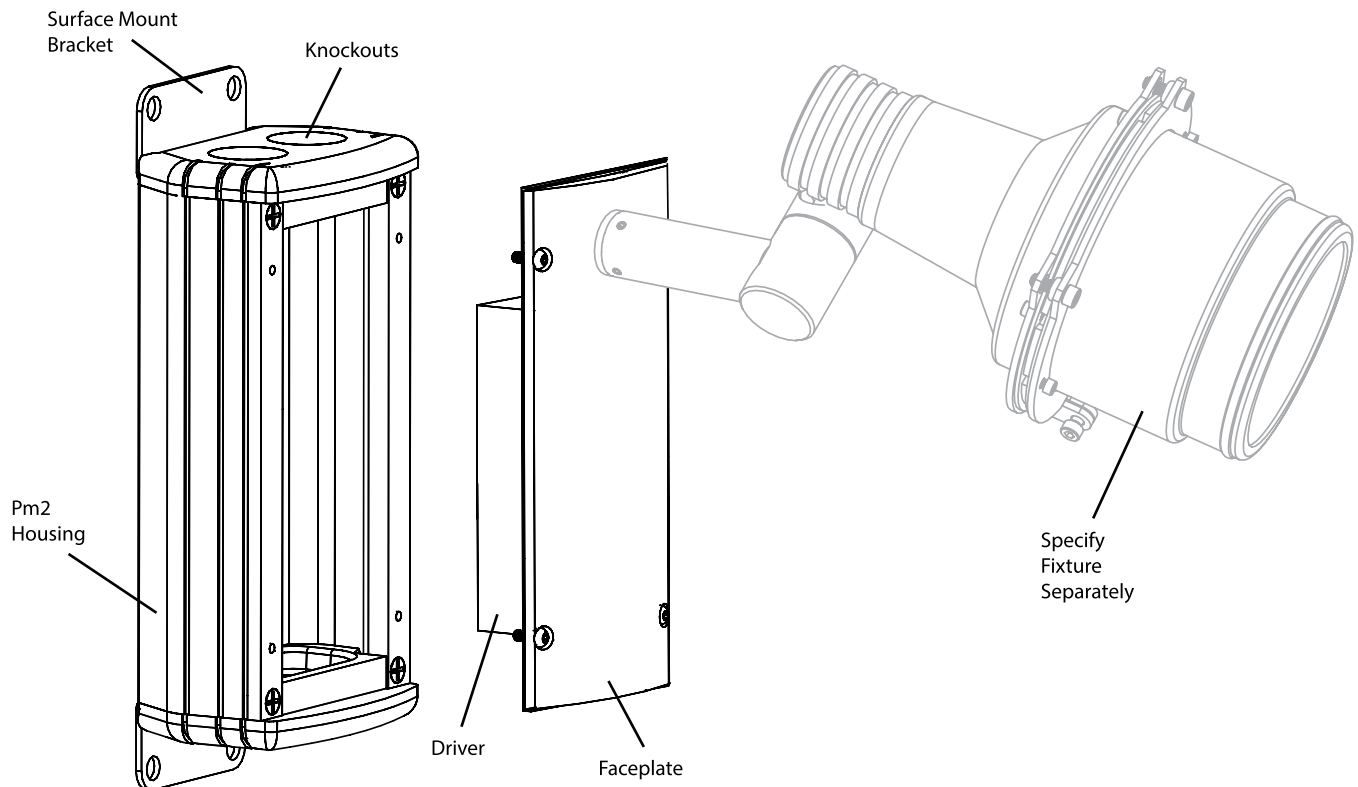
IMPORTANT SAFETY INFORMATION - READ, FOLLOW, AND SAVE ALL SAFETY AND INSTALLATION INSTRUCTIONS

- Product must be installed by a qualified person in a manner consistent with its intended use and in compliance with the National Electrical Code, Canadian Electrical Code, and all Local and Provincial Codes.
- Follow product label information and instructions.
- Qualified Personnel with appropriate personal protective equipment must perform all servicing of this product.
- Before wiring to power supply and during servicing, turn off and lock out power at fuse or circuit breaker before service.
- The use of accessory equipment not recommended by the manufacturer or installed contrary to instructions may cause an unsafe condition. The use of damaged components may cause an unsafe condition and void product warranty.

- Do not block light emanating from product in whole or part, as this may cause an unsafe condition.
- Never operate the fixture with missing or damaged lens. Lens must be cleaned on regular basis.
- Entire fixture may become extremely hot. Do not touch hot lens or fixture body.
- Replace LED assembly only with correct wattage and type of power supply appropriate for LED assembly.
- All gaskets, o-rings and sealing surfaces must be kept clean during installation and service; failure to do this may cause an unsafe condition and void product warranty.

IMPORTANT LISTINGS AND CERTIFICATIONS

- Suitable for wet locations



* UPM is covered in whole or in part by US patent #6,940,012

IMPORTANT SAFETY INFORMATION - READ, FOLLOW, AND SAVE THESE INSTALLATION INSTRUCTIONS

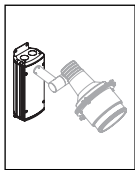
TEKA ILLUMINATION

40429 Brickyard Drive • Madera, CA 93636 • USA
559.438.5800 • FAX 559.438.5900
www.tekaillumination.com • info@tekaillumination.com

RELEASED
9-29-17

REFERENCE NUMBER
INS-2644-00

THIS DOCUMENT CONTAINS PROPRIETARY INFORMATION OF TEKA ILLUMINATION, INC. AND ITS RECEIPT OR POSSESSION DOES NOT CONVEY ANY RIGHTS TO REPRODUCE, DISCLOSE ITS CONTENTS, OR TO MANUFACTURE, USE OR SELL ANYTHING IT MAY DESCRIBE. REPRODUCTION, DISCLOSURE OR USE WITHOUT SPECIFIC WRITTEN AUTHORIZATION OF TEKA ILLUMINATION, INC. IS STRICTLY FORBIDDEN.

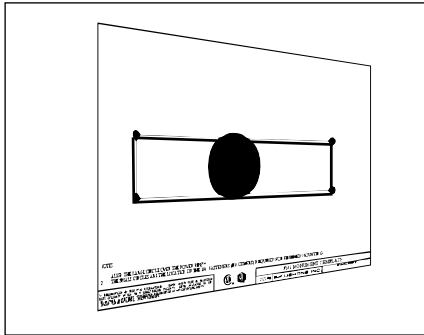


UNIVERSAL POWER MODULE
UPM

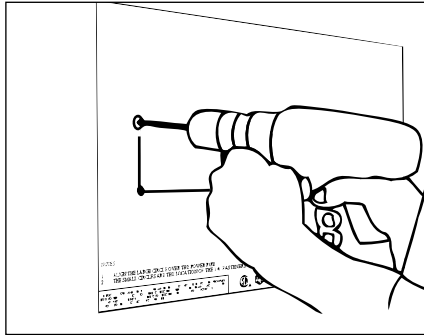
Installation Instructions



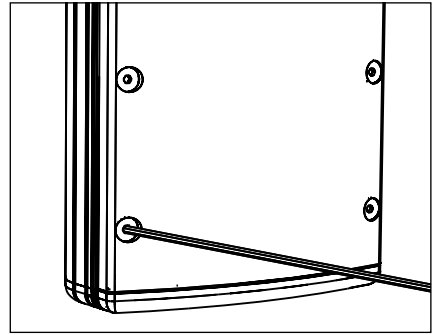
PM2 SURFACE MOUNT™ Driver Housing



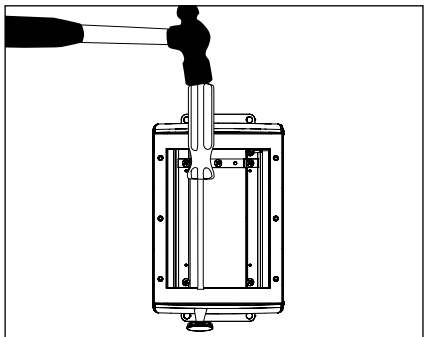
1. Prepare final mounting position according to designed lighting plan.



2. Drill holes into surface for 1/4" fasteners (By Others) on locations needed.

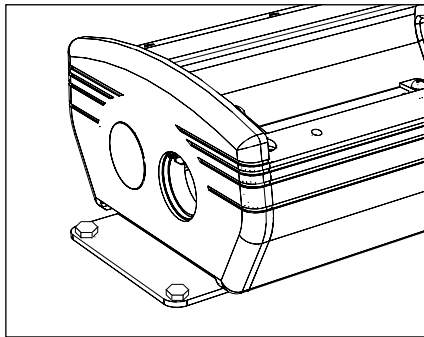


3. Loosen (4) #6-32 captive screws using a 5/64" Allen wrench and disconnect quick disconnect to remove faceplate of UPM housing.



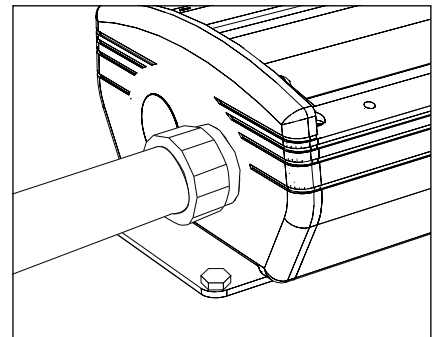
4. Remove Patented Knockout(s) as necessary from the inside of the UPM housing. Leave remaining unused knockouts in place to maintain seal.

NOTE: Patented design featuring a silicone 'O' Ring allowing knockout to be tapped back into place to renew seal integrity.



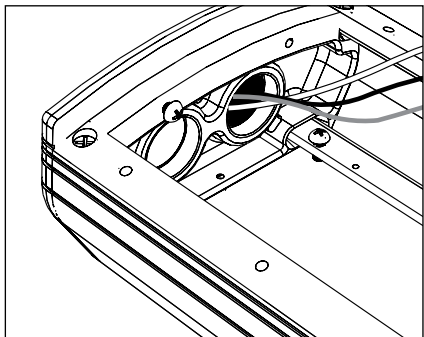
5. Attach the UPM housing at mounting brackets with 1/4" fasteners (By Others). Use suitable mounting hardware for surface.

NOTE: Many methods exist to bolt to a flat surface. The fixture is provided with mounting brackets with 1/4" holes.

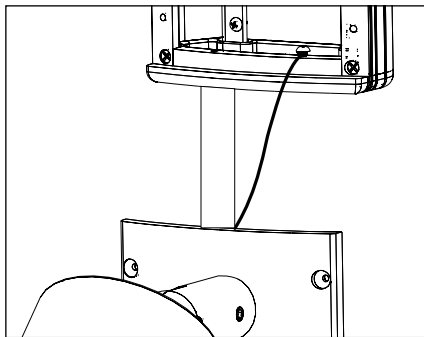


6. Connect 3/4" conduit connector through female threaded conduit entry.

NOTE: Surface conduit is a common entrance for water if not properly sealed. Seal connector threads and conduit with a suitable sealant (Teflon tape, adhesive, etc.). Sealing the conduit after knockouts are removed is required to maintain warranty.

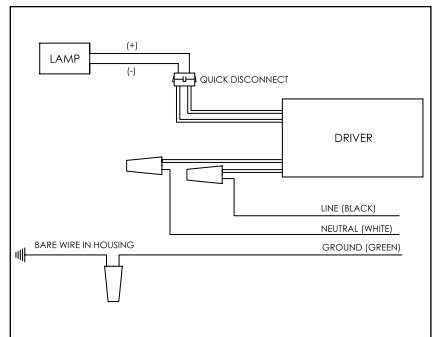


7. Pull branch circuit wiring necessary for installation (By Others.)



8. Attach tether wire under screw head at the base of the UPM housing and tighten. Slowly lower the faceplate until tether is taut.

NOTE: Faceplate tether supplied with UPM is designed as an installation aid and NOT a safety cable. Do not add weight to, or drop faceplate.

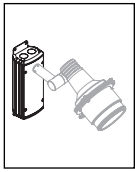


WIRING DIAGRAM

9. Use waterproof wire connectors (By Others) to connect driver primary leads to branch circuit wires. Connect incoming ground to ground wire provided in UPM housing. See wiring diagram.

**IMPORTANT SAFETY INFORMATION LISTED ON REVERSE
READ, FOLLOW, AND SAVE ALL SAFETY AND INSTALLATION INSTRUCTIONS**

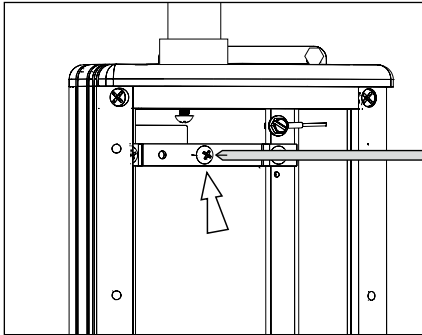




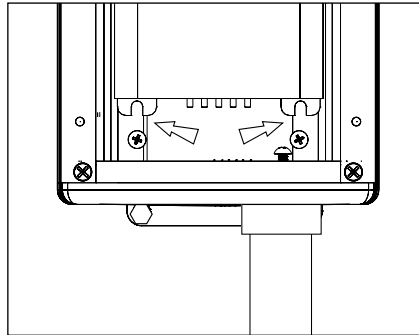
Installation Instructions



PM2 SURFACE MOUNT™ Driver Housing

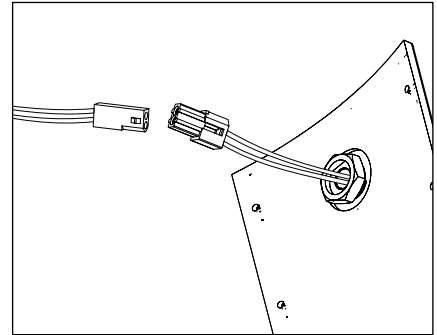


11. Remove the #8-32 screw in UPM housing using Phillips screwdriver.

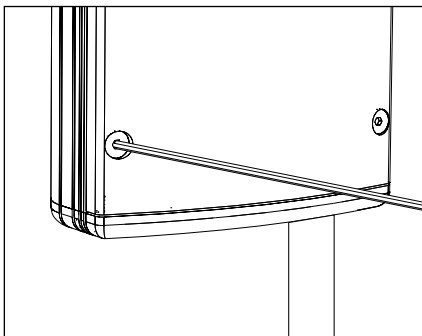


11. Slide driver feet under two screws in UPM housing and tighten screws using Phillips screwdriver.

12. Reinstall #8-32 screw on other side of driver and tighten to secure driver to UPM housing.



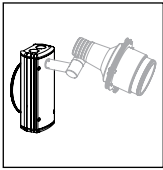
13. Connect secondary leads from driver to lamp leads using pre-wired factory quick disconnect.



14. Make sure UPM housing gasket is free of any dirt or debris. Attach the faceplate by tightening the (4) #6-32 captive screws evenly using a 5/64" Allen wrench.

**IMPORTANT SAFETY INFORMATION LISTED ON REVERSE
READ, FOLLOW, AND SAVE ALL SAFETY AND INSTALLATION INSTRUCTIONS**





UNIVERSAL POWER MODULE
UPM



PM2 ROUND CAMLOCK™ Driver Housing

Installation Instructions



Warning



High Voltage



Hot Surface

- NEEDED FOR INSTALLATION:**
- 1/8" & 9/64" Allen Wrench
 - Waterproof Wire Connectors
 - Phillips Screwdriver
 - Level

By others

INSTRUCTIONS PERTAINING TO A RISK OF FIRE, OR INJURY TO PERSONS IMPORTANT SAFETY INSTRUCTIONS

Lighted fixture is HOT!

WARNING - To reduce the risk of FIRE OR INJURY TO PERSONS:

Turn off/unplug and allow to cool before replacing LED. Fixture gets HOT quickly! Contact only switch/plug when turning on. Do not touch hot lens, guard, or enclosure. Keep fixture away from materials that may burn. Do not operate the luminaire fitting with a missing or damaged shield. Do not touch the source at any time. Use a soft cloth or gloves. Oil from skin may cause damage.

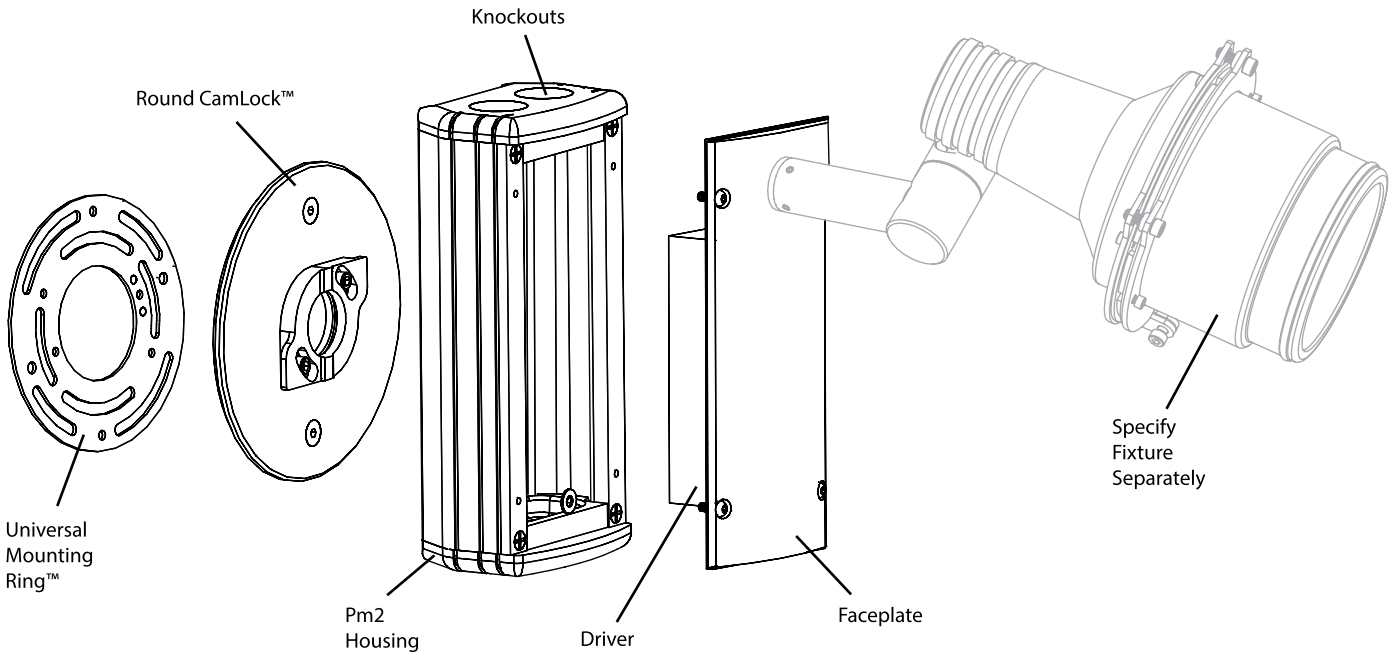
SAVE THESE INSTRUCTIONS

IMPORTANT SAFETY INFORMATION - READ, FOLLOW, AND SAVE ALL SAFETY AND INSTALLATION INSTRUCTIONS

- Product must be installed by a qualified person in a manner consistent with its intended use and in compliance with the National Electrical Code, Canadian Electrical Code, and all Local and Provincial Codes.
- Follow product label information and instructions.
- Qualified Personnel with appropriate personal protective equipment must perform all servicing of this product.
- Before wiring to power supply and during servicing, turn off and lock out power at fuse or circuit breaker before service.
- The use of accessory equipment not recommended by the manufacturer or installed contrary to instructions may cause an unsafe condition. The use of damaged components may cause an unsafe condition and void product warranty.
- Do not block light emanating from product in whole or part, as this may cause an unsafe condition.
- Never operate the fixture with missing or damaged lens. Lens must be cleaned on regular basis.
- Entire fixture may become extremely hot. Do not touch hot lens or fixture body.
- Replace LED assembly only with correct wattage and type of power supply appropriate for LED assembly.
- All gaskets, o-rings and sealing surfaces must be kept clean during installation and service; failure to do this may cause an unsafe condition and void product warranty.

IMPORTANT LISTINGS AND CERTIFICATIONS

- Suitable for wet locations



* UPM is covered in whole or in part by US patent #6,940,012

IMPORTANT SAFETY INFORMATION - READ, FOLLOW, AND SAVE THESE INSTALLATION INSTRUCTIONS

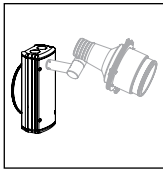
TEKA ILLUMINATION

40429 Brickyard Drive • Madera, CA 93636 • USA
559.438.5800 • FAX 559.438.5900
www.tekaillumination.com • info@tekaillumination.com

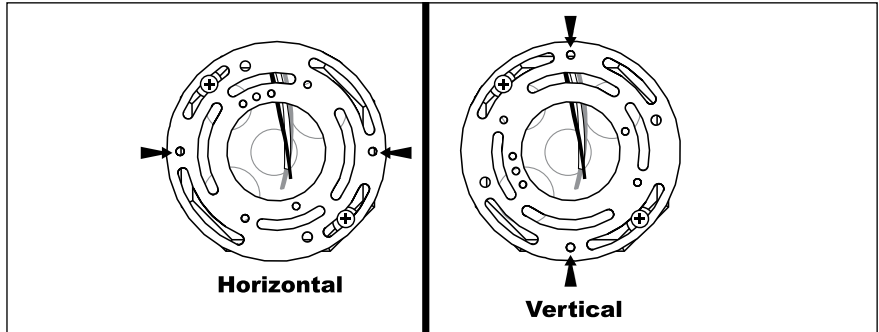
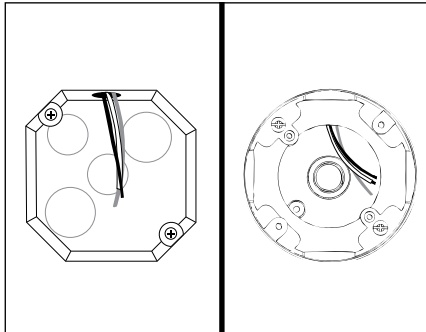
RELEASED
9-29-17

REFERENCE NUMBER
INS-2645-00

THIS DOCUMENT CONTAINS PROPRIETARY INFORMATION OF TEKA ILLUMINATION, INC. AND ITS RECEIPT OR POSSESSION DOES NOT CONVEY ANY RIGHTS TO REPRODUCE, DISCLOSE ITS CONTENTS, OR TO MANUFACTURE, USE OR SELL ANYTHING IT MAY DESCRIBE. REPRODUCTION, DISCLOSURE OR USE WITHOUT SPECIFIC WRITTEN AUTHORIZATION OF TEKA ILLUMINATION, INC. IS STRICTLY FORBIDDEN.



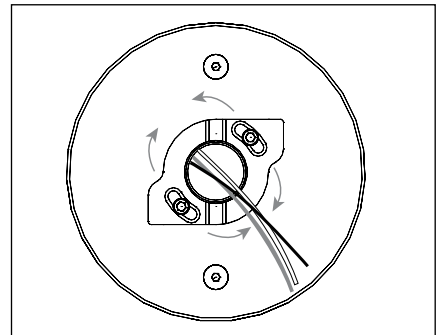
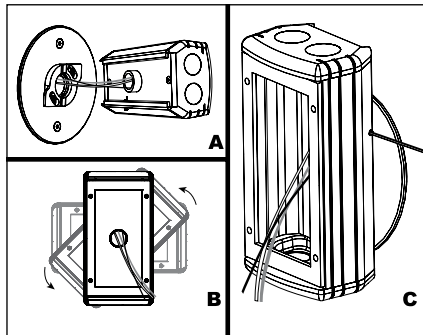
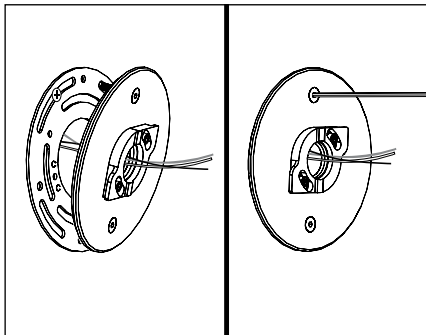
Installation Instructions



1. Install standard 4" octagonal/round recessed junction box in the final fixture location according to designed lighting plan.
2. Pull branch circuit wiring necessary for installation (By Others.)

3. Install universal mounting ring.

⚠ IMPORTANT!! Orientation of universal ring will affect orientation of UPM! Take note of mounting plate holes (indicated with arrows) on the universal ring holes to mount UPM in correct orientation.

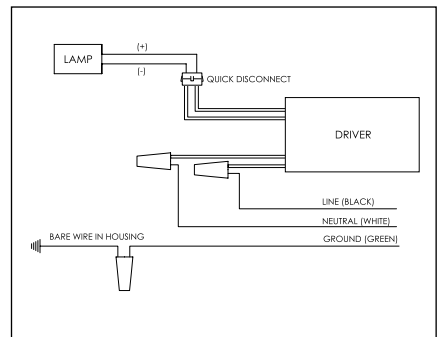
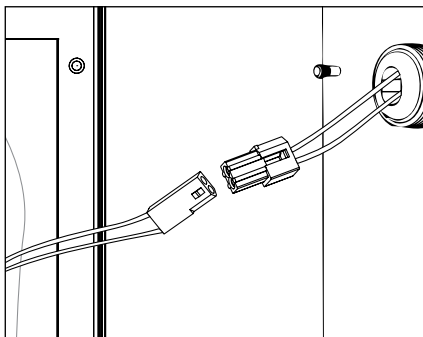
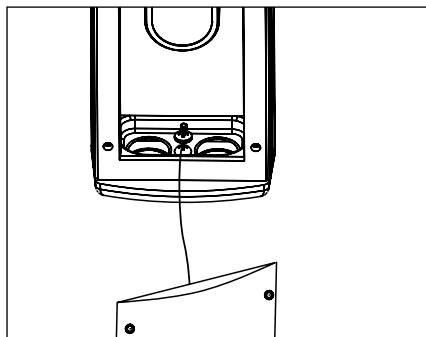


4. Feed branch circuit wiring through mounting plate with CamLock™ assembly. Attach mounting plate with supplied (2) #10-24 stainless steel hex drive fasteners to universal ring using 1/8" Allen wrench.

5. Feed branch circuit wiring into UPM housing. Install housing on CamLock™ at 90° to finished orientation as shown. (Figure A)

7. If UPM housing is not level, remove UPM housing; loosen but **DO NOT REMOVE** (2) #8-32 screws with 9/64" Allen wrench on CamLock™ assembly. Adjust CamLock™ assembly up to 30° as needed to level. Tighten the screws and reattach UPM housing.

6. Rotate housing 90° counter-clockwise (Figure B). Tighten set screw with 5/64" Allen wrench on outside of UPM housing to lock in place. (Figure C)



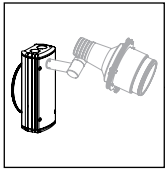
8. Attach tether wire under screw head at the base of the UPM housing. Slowly lower the faceplate until tether is taut.

9. Use waterproof wire connectors (By Others) to connect driver primary leads to branch circuit wires. Connect incoming ground to ground wire provided in UPM housing. **See wiring diagram.**

⚠ NOTE: Faceplate tether supplied with UPM is designed as an installation aid and NOT a safety cable. Do not add weight to, or drop faceplate.

**IMPORTANT SAFETY INFORMATION LISTED ON REVERSE
READ, FOLLOW, AND SAVE ALL SAFETY AND INSTALLATION INSTRUCTIONS**



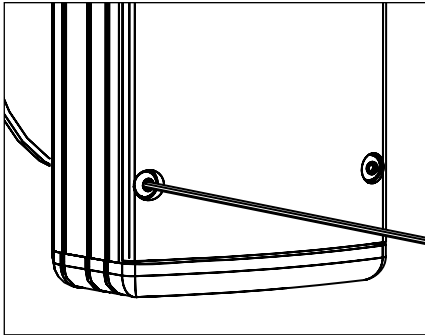


UNIVERSAL POWER MODULE
UPM

Installation Instructions



PM2 ROUND CAMLOCK™ Driver Housing



10. Make sure UPM housing gasket is free of any dirt or debris. Attach the faceplate by tightening the (4) #6-32 captive screws evenly using a 5/64" Allen wrench.

**IMPORTANT SAFETY INFORMATION LISTED ON REVERSE
READ, FOLLOW, AND SAVE ALL SAFETY AND INSTALLATION INSTRUCTIONS**

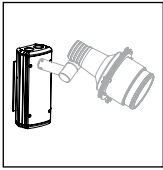


TEKA ILLUMINATION

40429 Brickyard Drive • Madera, CA 93636 • USA
559.438.5800 • FAX 559.438.5900
www.tekaillumination.com • info@tekaillumination.com

RELEASED
9-29-17

REFERENCE NUMBER
INS-2645-00



PM2 RECTANGULAR CAMLOCK™ Driver Housing

Installation Instructions



Warning



High Voltage



Hot Surface

- NEEDED FOR INSTALLATION:**
- 1/8" & 9/64" Allen Wrench
 - Waterproof Wire Connectors
 - Phillips Screwdriver
 - Level

By others

INSTRUCTIONS PERTAINING TO A RISK OF FIRE, OR INJURY TO PERSONS IMPORTANT SAFETY INSTRUCTIONS

Lighted fixture is HOT!

WARNING - To reduce the risk of FIRE OR INJURY TO PERSONS:

Turn off/unplug and allow to cool before replacing LED. Fixture gets HOT quickly! Contact only switch/plug when turning on. Do not touch hot lens, guard, or enclosure. Keep fixture away from materials that may burn. Do not operate the luminaire fitting with a missing or damaged shield. Do not touch the source at any time. Use a soft cloth or gloves. Oil from skin may cause damage.

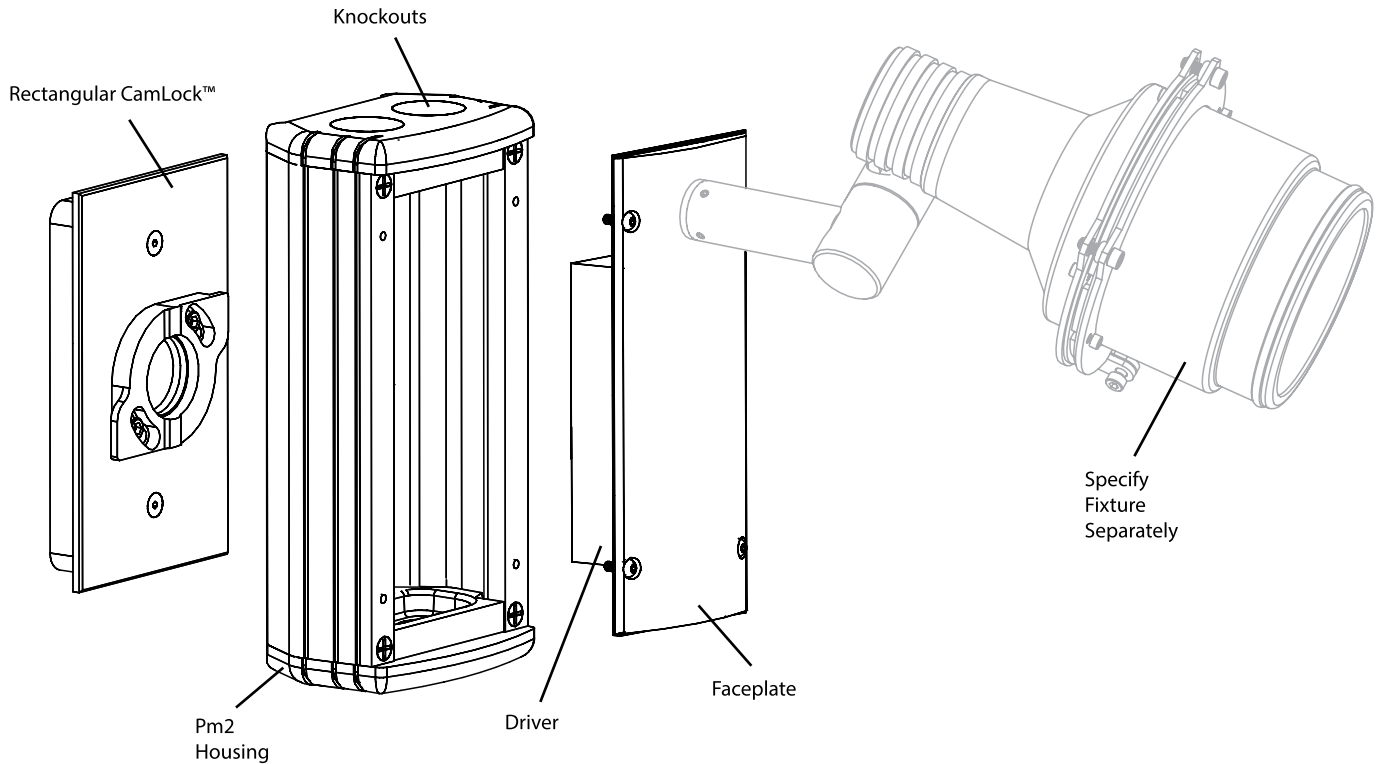
SAVE THESE INSTRUCTIONS

IMPORTANT SAFETY INFORMATION - READ, FOLLOW, AND SAVE ALL SAFETY AND INSTALLATION INSTRUCTIONS

- Product must be installed by a qualified person in a manner consistent with its intended use and in compliance with the National Electrical Code, Canadian Electrical Code, and all Local and Provincial Codes.
- Follow product label information and instructions.
- Qualified Personnel with appropriate personal protective equipment must perform all servicing of this product.
- Before wiring to power supply and during servicing, turn off and lock out power at fuse or circuit breaker before service.
- The use of accessory equipment not recommended by the manufacturer or installed contrary to instructions may cause an unsafe condition. The use of damaged components may cause an unsafe condition and void product warranty.
- Do not block light emanating from product in whole or part, as this may cause an unsafe condition.
- Never operate the fixture with missing or damaged lens. Lens must be cleaned on regular basis.
- Entire fixture may become extremely hot. Do not touch hot lens or fixture body.
- Replace LED assembly only with correct wattage and type of power supply appropriate for LED assembly.
- All gaskets, o-rings and sealing surfaces must be kept clean during installation and service; failure to do this may cause an unsafe condition and void product warranty.

IMPORTANT LISTINGS AND CERTIFICATIONS

- Suitable for wet locations

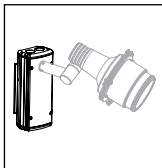


* UPM is covered in whole or in part by US patent #6,940,012

IMPORTANT SAFETY INFORMATION - READ, FOLLOW, AND SAVE THESE INSTALLATION INSTRUCTIONS

TEKA ILLUMINATION	40429 Brickyard Drive • Madera, CA 93636 • USA 559.438.5800 • FAX 559.438.5900 www.tekailumination.com • info@tekailumination.com	RELEASED 9-29-17	REFERENCE NUMBER INS-2645-01
--------------------------	---	---------------------	---------------------------------

THIS DOCUMENT CONTAINS PROPRIETARY INFORMATION OF TEKA ILLUMINATION, INC. AND ITS RECEIPT OR POSSESSION DOES NOT CONVEY ANY RIGHTS TO REPRODUCE, DISCLOSE ITS CONTENTS, OR TO MANUFACTURE, USE OR SELL ANYTHING IT MAY DESCRIBE. REPRODUCTION, DISCLOSURE OR USE WITHOUT SPECIFIC WRITTEN AUTHORIZATION OF TEKA ILLUMINATION, INC. IS STRICTLY FORBIDDEN.



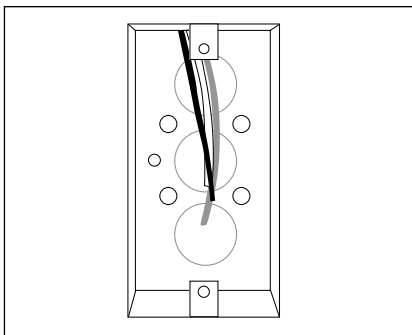
UNIVERSAL POWER MODULE
UPM

THE POWER OF



PM2 RECTANGULAR CAMLOCK™ Driver Housing

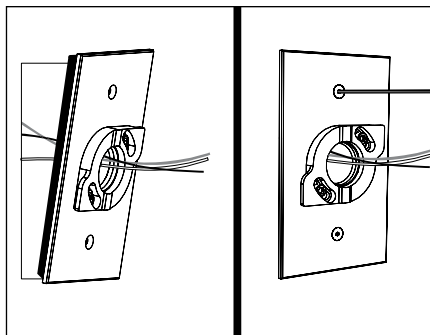
Installation Instructions



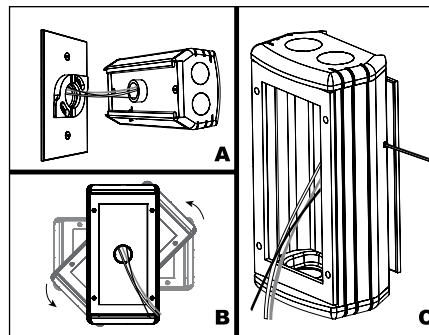
1. Install standard 4.5" x 2.85" recessed junction box (By Others) in the final fixture location according to designed lighting plan.

NOTE: Vertical or horizontal installation of recessed junction box determines orientation of UPM.

2. Pull branch circuit wiring necessary for installation (By Others.)

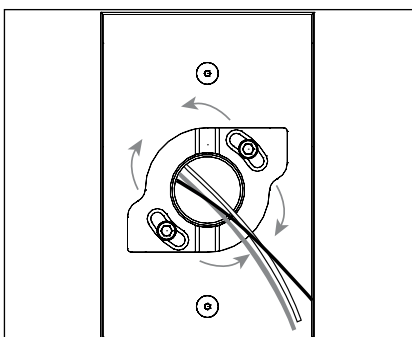


3. Feed branch circuit wiring and lamp leads to remote mounted fixture through mounting plate with CamLock™ assembly. Attach mounting plate with supplied (2) #6-32 stainless steel hex drive fasteners to recessed junction box using a 5/64" Allen wrench.

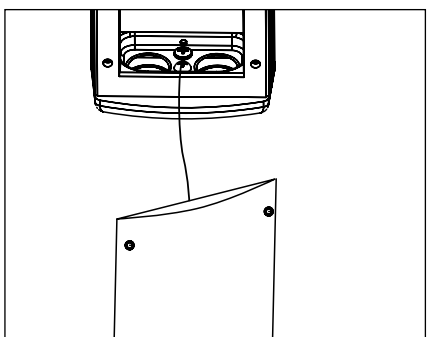


4. Feed wire into UPM housing. Install housing on CamLock™ at 90° to finished orientation as shown. (Figure A)

5. Rotate housing 90° counter-clockwise (Figure B). Tighten set screw with 5/64" Allen wrench on outside of UPM housing to lock in place. (Figure C)

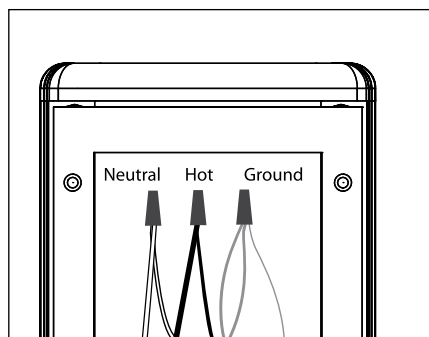


6. If UPM housing is not level, remove UPM housing; loosen but **DO NOT REMOVE** (2) #8-32 screws with 9/64" Allen wrench on CamLock™ assembly. Adjust CamLock™ assembly up to 30° as needed to level. Tighten the screws and reattach UPM housing.

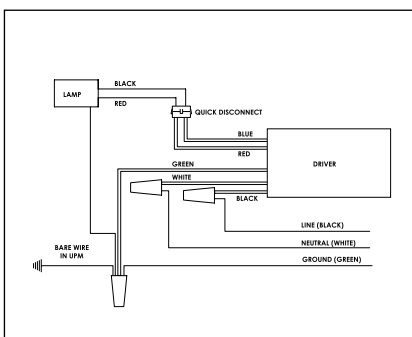


7. Attach tether wire under screw head at the base of the UPM housing and tighten. Slowly lower the faceplate until tether is taut.

NOTE: Faceplate tether supplied with UPM is designed as an installation aid and NOT a safety cable. Do not add weight to, or drop faceplate.

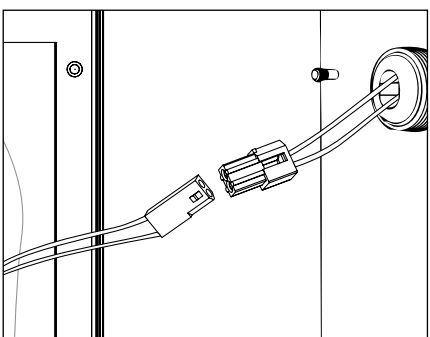


8. Use wire connectors (By Others) to connect driver primary leads to branch circuit wires. Connect incoming ground and driver ground to ground wire provided in UPM housing. See wiring diagram.

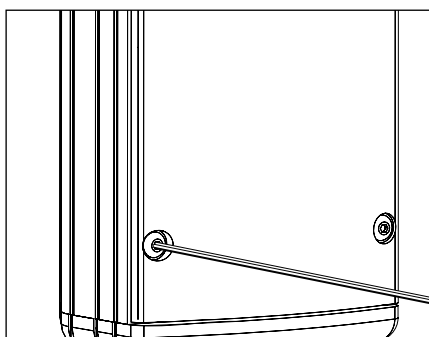


Wiring Diagram.

9. Pull lamp leads into UPM housing and connect to driver secondary leads using approved wire connectors (By Others).



10. Use waterproof wire connectors (By Others) to connect driver primary leads to branch circuit wires. Connect incoming ground to ground wire provided in UPM housing. **See wiring diagram.**



11. Make sure UPM housing gasket is free of any dirt or debris. Attach the faceplate by tightening the (4) #6-32 captive screws evenly using a 5/64" Allen wrench.

**IMPORTANT SAFETY INFORMATION LISTED ON REVERSE
READ, FOLLOW, AND SAVE ALL SAFETY AND INSTALLATION INSTRUCTIONS**

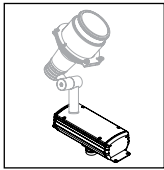


TEKA ILLUMINATION

40429 Brickyard Drive • Madera, CA 93636 • USA
559.438.5800 • FAX 559.438.5900
www.tekaillumination.com • info@tekaillumination.com

RELEASED
9-29-17

REFERENCE NUMBER
INS-2645-01



PM2 MONUMENT (Power Pipe™) Driver Housing

Installation Instructions



Warning



High Voltage



Hot Surface

NEEDED FOR INSTALLATION:

By others

- Waterproof Wire Connectors
- Mounting Hardware
- 1/4" Drill Bit and Drill

INSTRUCTIONS PERTAINING TO A RISK OF FIRE, OR INJURY TO PERSONS IMPORTANT SAFETY INSTRUCTIONS

Lighted fixture is HOT! WARNING - To reduce the risk of FIRE OR INJURY TO PERSONS:

Turn off/unplug and allow to cool before replacing LED. Fixture gets HOT quickly! Contact only switch/plug when turning on. Do not touch hot lens, guard, or enclosure. Keep fixture away from materials that may burn. Do not operate the luminaire fitting with a missing or damaged shield. Do not touch the source at any time. Use a soft cloth or gloves. Oil from skin may cause damage.

SAVE THESE INSTRUCTIONS

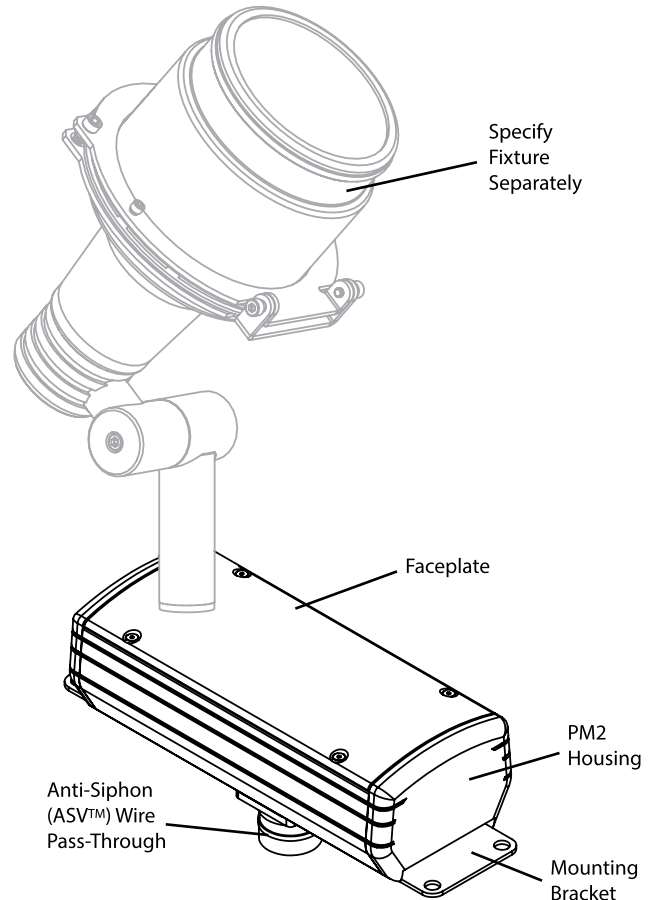
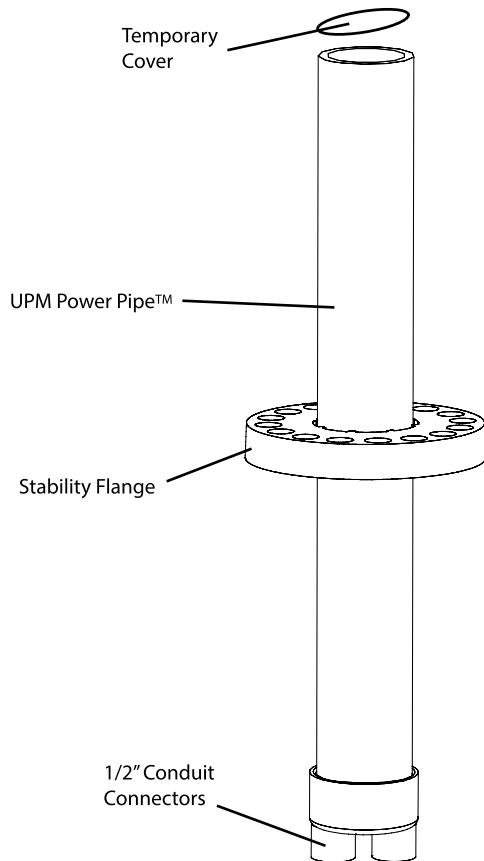
IMPORTANT SAFETY INFORMATION - READ, FOLLOW, AND SAVE ALL SAFETY AND INSTALLATION INSTRUCTIONS

- Product must be installed by a qualified person in a manner consistent with its intended use and in compliance with the National Electrical Code, Canadian Electrical Code, and all Local and Provincial Codes.
- Follow product label information and instructions.
- Qualified Personnel with appropriate personal protective equipment must perform all servicing of this product.
- Before wiring to power supply and during servicing, turn off and lock out power at fuse or circuit breaker before service.
- The use of accessory equipment not recommended by the manufacturer or installed contrary to instructions may cause an unsafe condition. The use of damaged components may cause an unsafe condition and void product warranty.
- Do not block light emanating from product in whole or part, as this may cause an unsafe condition.
- Never operate the fixture with missing or damaged lens. Lens must be cleaned on regular basis.
- Entire fixture may become extremely hot. Do not touch hot lens or fixture body.
- Replace LED assembly only with correct wattage and type of power supply appropriate for LED assembly.
- All gaskets, o-rings and sealing surfaces must be kept clean during installation and service; failure to do this may cause an unsafe condition and void product warranty.

IMPORTANT LISTINGS AND CERTIFICATIONS

- Suitable for wet locations

Proper soil preparation is recommended before installation. See the DIG-IT guide at www.tekaiillumination.com/dig-it for more information.



* UPM is covered in whole or in part by US patent #6,940,012

IMPORTANT SAFETY INFORMATION - READ, FOLLOW, AND SAVE THESE INSTALLATION INSTRUCTIONS

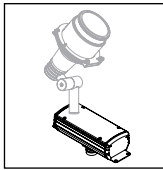
TEKA ILLUMINATION

40429 Brickyard Drive • Madera, CA 93636 • USA
559.438.5800 • FAX 559.438.5900
www.tekaiillumination.com • info@tekaiillumination.com

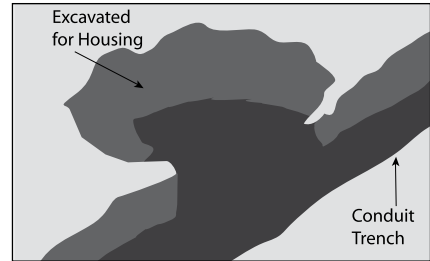
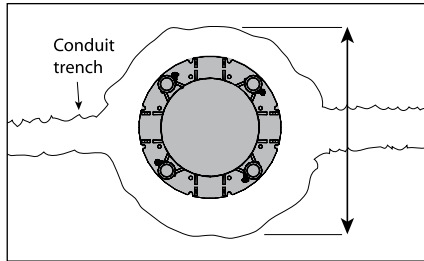
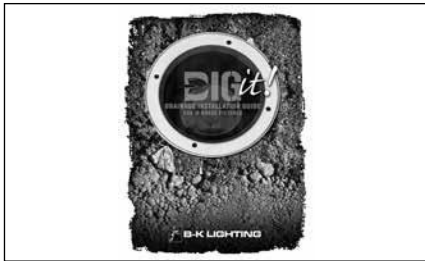
RELEASED
9-29-17

REFERENCE NUMBER
INS-2646-00

THIS DOCUMENT CONTAINS PROPRIETARY INFORMATION OF TEKA ILLUMINATION, INC. AND ITS RECEIPT OR POSSESSION DOES NOT CONVEY ANY RIGHTS TO REPRODUCE, DISCLOSE ITS CONTENTS, OR TO MANUFACTURE, USE OR SELL ANYTHING IT MAY DESCRIBE. REPRODUCTION, DISCLOSURE OR USE WITHOUT SPECIFIC WRITTEN AUTHORIZATION OF TEKA ILLUMINATION, INC. IS STRICTLY FORBIDDEN.



Soil Prep

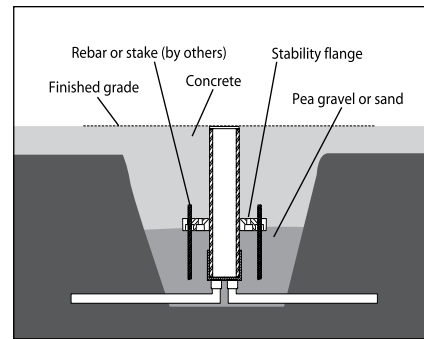
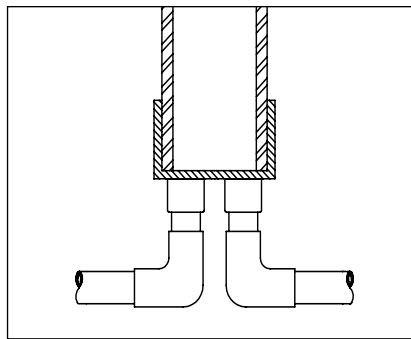
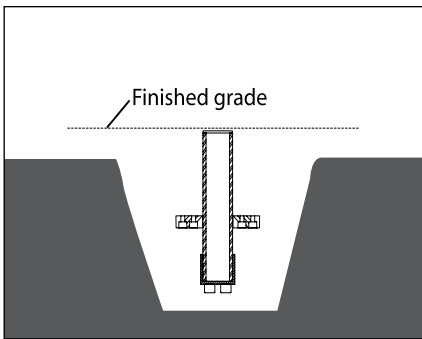


A. Determine Soil Type by referencing DIG-IT Guide. Prep soil according to DIG-IT Guide.

B. Dig hole 10" wide and 24" deep.

C. Prep soil according to DIG-IT Guide.

POWER PIPE™ INSTALLATION



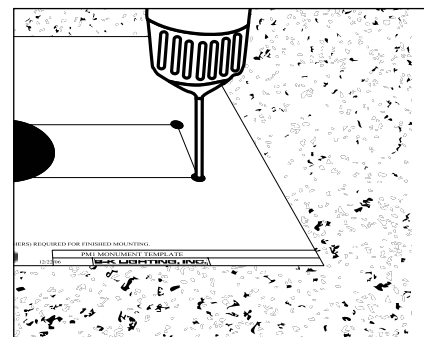
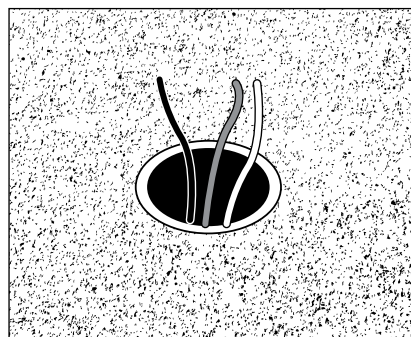
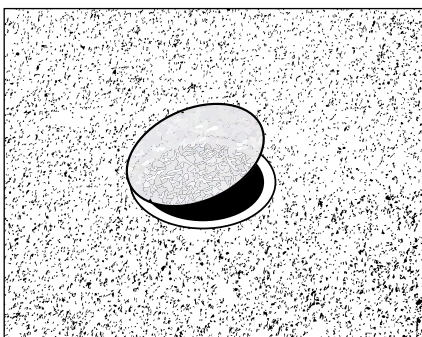
1. Excavate trench according to designed lighting plan. Dig hole a minimum of 24" deep and 10" wide to accommodate Power Pipe™ at desired fixture locations.

2. Connect conduit to the 1/2" conduit couplers attached to the bottom of the Power Pipe™. Place Power Pipe™ in hole.

3. Back fill with pea gravel or sand prior to pour.

NOTE: The Power Pipe™ must be flush to finished grade. Use stability flange to aid in installation of Power Pipe™ as shown.

WARNING: UPM housing for installation onto concrete only. Installation of housing in direct contact with soil will void product warranty.



4. Pour concrete (By Others).

6. Pull branch circuit wiring necessary for installation (By Others).

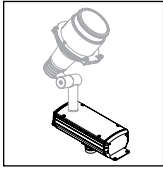
7. Drill holes into surface for 1/4" fasteners (By Others) on locations needed.

WARNING: Power Pipe™ must be flush to finished grade!

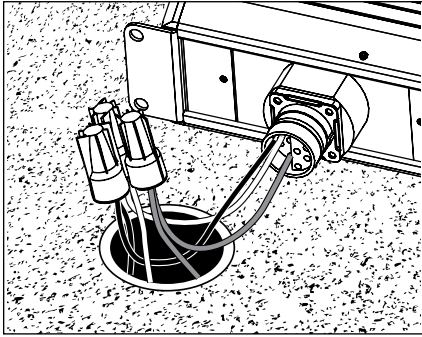
5. Once concrete has cured and fixture is ready to be installed, remove temporary cover if required and trim excess Power Pipe™ material above grade using a saw or file.

**IMPORTANT SAFETY INFORMATION LISTED ON REVERSE
READ, FOLLOW, AND SAVE ALL SAFETY AND INSTALLATION INSTRUCTIONS**

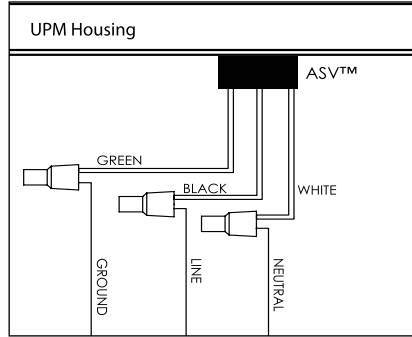




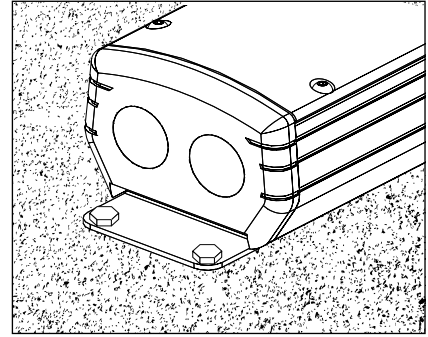
Installation Instructions



8. Use waterproof wire nuts provided to connect branch circuit wiring to the anti-siphon (ASV™) wire pass-through located on the bottom of the UPM housing. **See wiring diagram.**



WIRING DIAGRAM



9. Anchor the UPM housing with mounting brackets provided using 1/4" fasteners (By Others).

**IMPORTANT SAFETY INFORMATION LISTED ON REVERSE
READ, FOLLOW, AND SAVE ALL SAFETY AND INSTALLATION INSTRUCTIONS**

