

Round Back Box Installation Instructions



Warning



High Voltage



Hot Surface

TOOLS NEEDED:	 1/8" Allen Wrench
	 Phillips Screwdriver
	 Waterproof Wire Connectors
By Others	

INSTRUCTIONS PERTAINING TO A RISK OF FIRE, OR INJURY TO PERSONS IMPORTANT SAFETY INSTRUCTIONS

Lighted lamp is HOT!
WARNING - To reduce the risk of FIRE OR INJURY TO PERSONS:
 Turn off/unplug and allow to cool before replacing lamp. Lamp gets HOT quickly! Contact only switch/plug when turning on.
 Do not touch hot lens, guard, or enclosure (see diagram/picture).
 Keep lamp away from materials that may burn.
 Do not touch the lamp at any time. Use a soft cloth. Oil from skin may damage lamp.
 Do not operate the luminaire fitting with a missing or damaged shield.

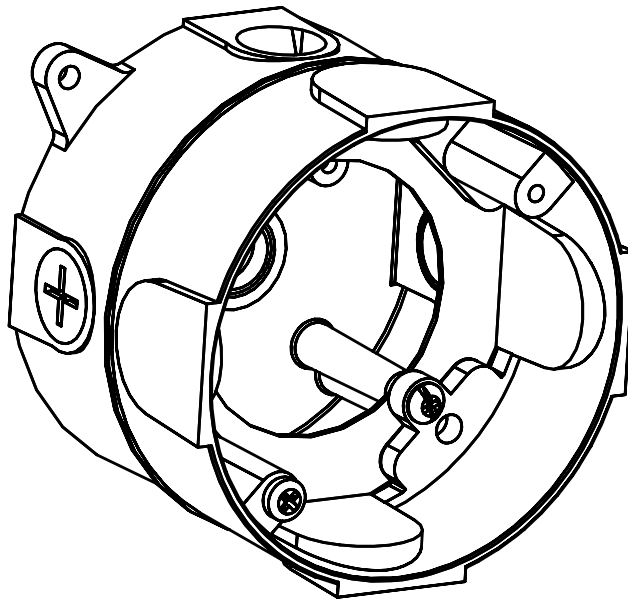
SAVE THESE INSTRUCTIONS

IMPORTANT SAFETY INFORMATION - READ, FOLLOW, AND SAVE ALL SAFETY AND INSTALLATION INSTRUCTIONS

- Product must be installed by a qualified person in a manner consistent with its intended use and in compliance with the National Electrical Code, Canadian Electrical Code, and all Local and Provincial Codes.
- Follow product label information and instructions.
- Qualified Personnel must perform all servicing or relamping of this product.
- Before wiring to power supply and during servicing or relamping, turn off power at fuse or circuit breaker before service.
- The use of accessory equipment not recommended by the manufacturer or installed contrary to instructions may cause an unsafe condition. The use of damaged components may cause an unsafe condition and void product warranty.
- Do not block light emanating from product in whole or part, as this may cause an unsafe condition.
- Never operate the fixture with missing or damaged lens. Lens must be cleaned on regular basis.
- Entire fixture may become extremely hot. Do not touch hot lens or fixture body. Do not touch the lamp at any time. Use a clean, dry, soft cloth to handle the lamp. Oil from skin may damage the lamp and cause it to rupture.
- Replace lamp only with correct wattage and type of lamp marked on fixture label.
- All gaskets, o-rings and sealing surfaces must be kept clean during installation and service; failure to do this may cause an unsafe condition and void product warranty.

IMPORTANT LISTINGS AND CERTIFICATIONS

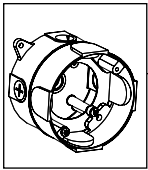
• Suitable for wet location • Additionally suitable for mounting within 4 ft. of the ground



IMPORTANT SAFETY INFORMATION - READ, FOLLOW, AND SAVE THESE INSTALLATION INSTRUCTIONS

TEKA ILLUMINATION	40429 Brickyard Drive • Madera, CA 93636 • USA 559.438.5800 • FAX 559.438.5900 www.tekaillumination.com • info@tekaillumination.com	PRELIMINARY 8-6-13	REFERENCE NUMBER INS000938

THIS DOCUMENT CONTAINS PROPRIETARY INFORMATION OF B-K LIGHTING, INC. AND ITS RECEIPT OR POSSESSION DOES NOT CONVEY ANY RIGHTS TO REPRODUCE, DISCLOSE ITS CONTENTS, OR TO MANUFACTURE, USE OR SELL ANYTHING IT MAY DESCRIBE. REPRODUCTION, DISCLOSURE OR USE WITHOUT SPECIFIC WRITTEN AUTHORIZATION OF B-K LIGHTING, INC. IS STRICTLY FORBIDDEN.

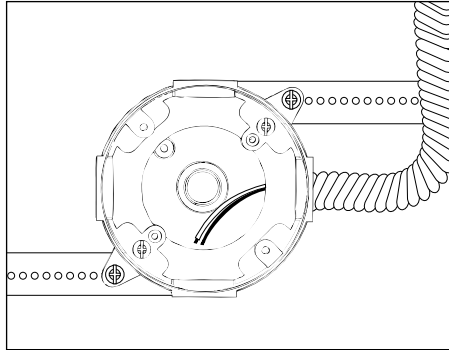


Round Back Box Installation Instructions

PROJECT:	
TYPE:	

Phase 1 - Rough In

Installation of Back box



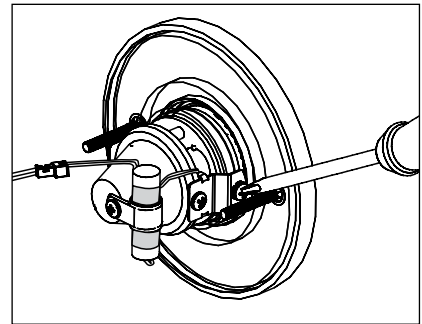
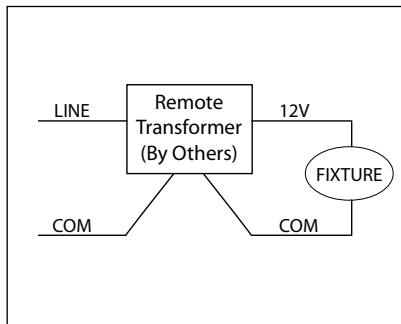
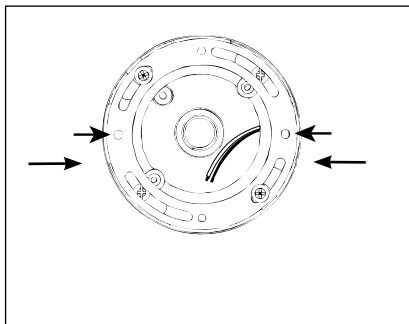
Additional Info

- Please follow National and Local electrical codes for your area.
- 4" round cast box is provided with Five (5) 1/2" threaded hubs for conduit entry (4 on sides and one on back of box).
- Suitable for through wire.
- Suitable for installation into combustible materials.
- Rated for 90° C.

Please refer to the low voltage design guide at www.bklighting.com/lvguide before installation for proper wire selection.

1. Install Conduit (by others) to be used with this product.
2. Install junction box so that front face is flush with finished wall or ceiling.
3. Connect box to conduit and pull wires for connections (See Wiring diagram).

Phase 2 - Finish Installation of Fixture with Remote Transformer



1. Remove #10-24 Stainless Steel Phillips screws from mounted back box. Install universal mounting ring (supplied with faceplate) using #10-24 screws onto back box. Align faceplate mounting holes to final mounting position. See wiring diagram.
2. Make two connections from remote 12V transformer to LED source leads (18 gauge wire) using proper wire connectors (By Others).
3. To aim adjustable bracket -loosen the two (2) phillip screws attaching the adjustable bracket to the faceplate. Aim to desired position. Tighten two (2) phillip screws to lock in place when desired angle is set.

**IMPORTANT SAFETY INFORMATION LISTED ON REVERSE
READ, FOLLOW, AND SAVE ALL SAFETY AND INSTALLATION INSTRUCTIONS**

