

TMC - TREE MOUNT CANOPY



Warning



Hot Surface



Low Voltage

TOOLS NEEDED:



- 5/64" Allen Wrench
- Waterproof Wire Connectors
- Mounting Hardware
- Drill Bit and Drill

By Others

INSTRUCTIONS PERTAINING TO A RISK OF FIRE, OR INJURY TO PERSONS IMPORTANT SAFETY INSTRUCTIONS

Lighted lamp is HOT!
WARNING - To reduce the risk of FIRE OR INJURY TO PERSONS: Turn off/unplug and allow to cool before replacing lamp. Lamp gets HOT quickly! Contact only switch/plug when turning on.
 Do not touch hot lens, guard, or enclosure (see diagram/picture).
 Keep lamp away from materials that may burn. Do not touch the lamp at any time. Use a soft cloth. Oil from skin may damage lamp.
 Do not operate the luminaire fitting with a missing or damaged shield.

SAVE THESE INSTRUCTIONS

IMPORTANT SAFETY INFORMATION - READ, FOLLOW, AND SAVE ALL SAFETY AND INSTALLATION INSTRUCTIONS

- Product must be installed by a qualified person in a manner consistent with its intended use and in compliance with the National Electrical Code, Canadian Electrical Code, and all Local and Provincial Codes.
- Follow product label information and instructions.
- Qualified Personnel must perform all servicing or relamping of this product.
- Before wiring to power supply and during servicing or relamping, turn off power at fuse or circuit breaker before service.
- The use of accessory equipment not recommended by the manufacturer or installed contrary to instructions may cause an unsafe condition. The use of damaged components may cause an unsafe condition and void product warranty.
- Do not block light emanating from product in whole or part, as this may cause an unsafe condition.
- Never operate the fixture with missing or damaged lens. Lens must be cleaned on regular basis.
- Entire fixture may become extremely hot. Do not touch hot lens or fixture body. Do not touch the lamp at any time. Use a clean, dry, soft cloth to handle the lamp. Oil from skin may damage the lamp and cause it to rupture.
- Replace lamp only with correct wattage and type of lamp marked on fixture label.
- All gaskets, o-rings and sealing surfaces must be kept clean during installation and service; failure to do this may cause an unsafe condition and void product warranty.

IMPORTANT LISTINGS AND CERTIFICATIONS

Please refer to the low voltage design guide at www.tekaillumination.com/lvguide before installation for proper wire selection.

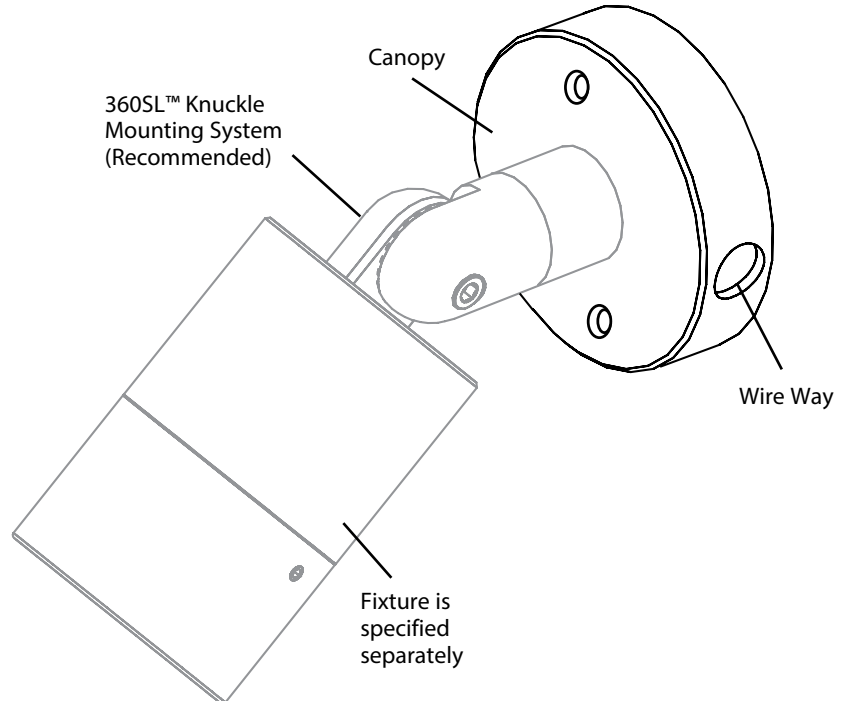
WARNING

360SL™ Knuckle Mounting System recommended for use with TMC.

Installed TMC wireway hole must face the side or downwards. Do not install wireway upwards in outdoor installation.

Failure to comply with requirements will void product warranty.

TMC- Tree Mount Canopy



IMPORTANT SAFETY INFORMATION - READ, FOLLOW, AND SAVE THESE INSTALLATION INSTRUCTIONS

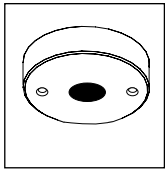
TEKA ILLUMINATION

40429 Brickyard Drive • Madera, CA 93636 • USA
 559.438.5800 • FAX 559.438.5900
www.tekaillumination.com • info@tekaillumination.com

RELEASED
 9-8-17

REFERENCE NUMBER
 INS-2138-00

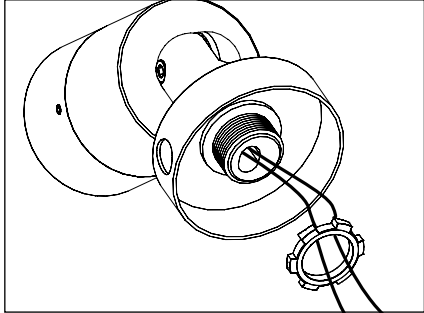
THIS DOCUMENT CONTAINS PROPRIETARY INFORMATION OF TEKA ILLUMINATION, INC. AND ITS RECEIPT OR POSSESSION DOES NOT CONVEY ANY RIGHTS TO REPRODUCE, DISCLOSE ITS CONTENTS, OR TO MANUFACTURE, USE OR SELL ANYTHING IT MAY DESCRIBE. REPRODUCTION, DISCLOSURE OR USE WITHOUT SPECIFIC WRITTEN AUTHORIZATION OF TEKA ILLUMINATION, INC. IS STRICTLY FORBIDDEN.



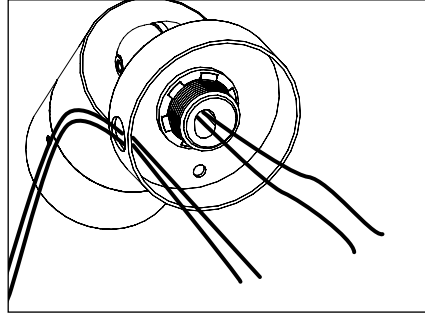
TMC - TREE MOUNT CANOPY

PROJECT:	
TYPE:	

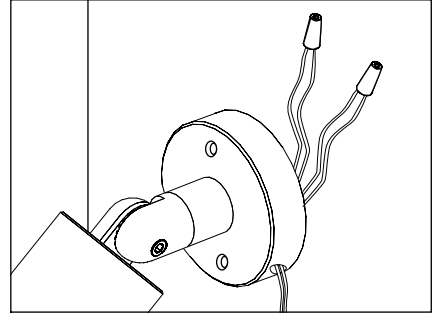
TMC - Tree Mount Installation



1. Mount knuckle onto canopy by securing 1/2" NPS stem with provided locknut.



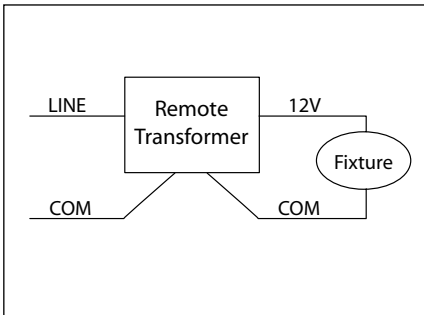
2. Run low voltage wiring from remote transformer to the fixture through the wire entry on the canopy.




3. Make watertight connections from remote transformer to fixture source leads using waterproof wire connectors (By Others). See wiring diagram.

⚠ **Canopy must be mounted vertically and with wireway entry facing to the side or downwards. Do not install facing upwards in outdoor installation.**

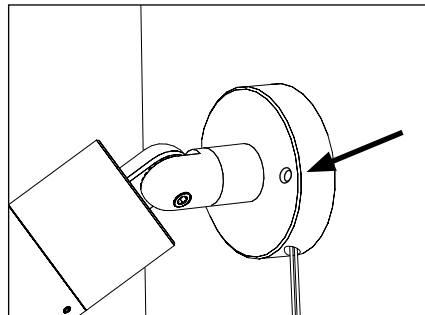
⚠ **NOTE: Contractor is responsible for executing water tight splice.**



WIRING DIAGRAM

⚠ **LED - For use with 12VAC  remote transformer or magnetic transformers only. TEKA Illumination cannot guarantee performance with third party manufacturers' transformers.**

⚠ **Low Voltage - For use with 12VAC remote transformer.**



4. Secure canopy to surface using appropriate hardware for the application. (Hardware by Others) Canopy must be flush with surface.

⚠ **Canopy must be mounted vertically and with wireway entry facing to the side or downwards. Do not install facing upwards in outdoor installation.**

**IMPORTANT SAFETY INFORMATION LISTED ON REVERSE
READ, FOLLOW, AND SAVE ALL SAFETY AND INSTALLATION INSTRUCTIONS**

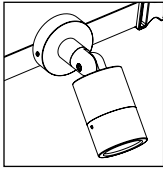


TEKA ILLUMINATION

40429 Brickyard Drive • Madera, CA 93636 • USA
559.438.5800 • FAX 559.438.5900
www.tekaillumination.com • info@tekaillumination.com

RELEASED
9-8-17

REFERENCE NUMBER
INS-2138-00



TREE STRAP TMC



Warning



Hot Surface



Low Voltage

**TOOLS
NEEDED:**



Waterproof Wire Connectors

By Others

INSTRUCTIONS PERTAINING TO A RISK OF FIRE, OR INJURY TO PERSONS IMPORTANT SAFETY INSTRUCTIONS

Lighted lamp is HOT!

WARNING - To reduce the risk of FIRE OR INJURY TO PERSONS:
Turn off/unplug and allow to cool before replacing lamp.
Lamp gets HOT quickly! Contact only switch/plug when
turning on.

Do not touch hot lens, guard, or enclosure (see diagram/
picture).

Keep lamp away from materials that may burn.
Do not touch the lamp at any time. Use a soft cloth. Oil
from skin may damage lamp.
Do not operate the luminaire fitting with a missing or
damaged shield.

SAVE THESE INSTRUCTIONS

IMPORTANT SAFETY INFORMATION - READ, FOLLOW, AND SAVE ALL SAFETY AND INSTALLATION INSTRUCTIONS

- Product must be installed by a qualified person in a manner consistent with its intended use and in compliance with the National Electrical Code, Canadian Electrical Code, and all Local and Provincial Codes.
- Follow product label information and instructions.
- Qualified Personnel must perform all servicing or relamping of this product.
- Before wiring to power supply and during servicing or relamping, turn off power at fuse or circuit breaker before service.
- The use of accessory equipment not recommended by the manufacturer or installed contrary to instructions may cause an unsafe condition. The use of damaged components may cause an unsafe condition and void product warranty.
- Do not block light emanating from product in whole or part, as this may cause an unsafe condition.
- Never operate the fixture with missing or damaged lens. Lens must be cleaned on regular basis.
- Entire fixture may become extremely hot. Do not touch hot lens or fixture body. Do not touch the lamp at any time. Use a clean, dry, soft cloth to handle the lamp. Oil from skin may damage the lamp and cause it to rupture.
- Replace lamp only with correct wattage and type of lamp marked on fixture label.
- All gaskets, o-rings and sealing surfaces must be kept clean during installation and service; failure to do this may cause an unsafe condition and void product warranty.

IMPORTANT LISTINGS AND CERTIFICATIONS

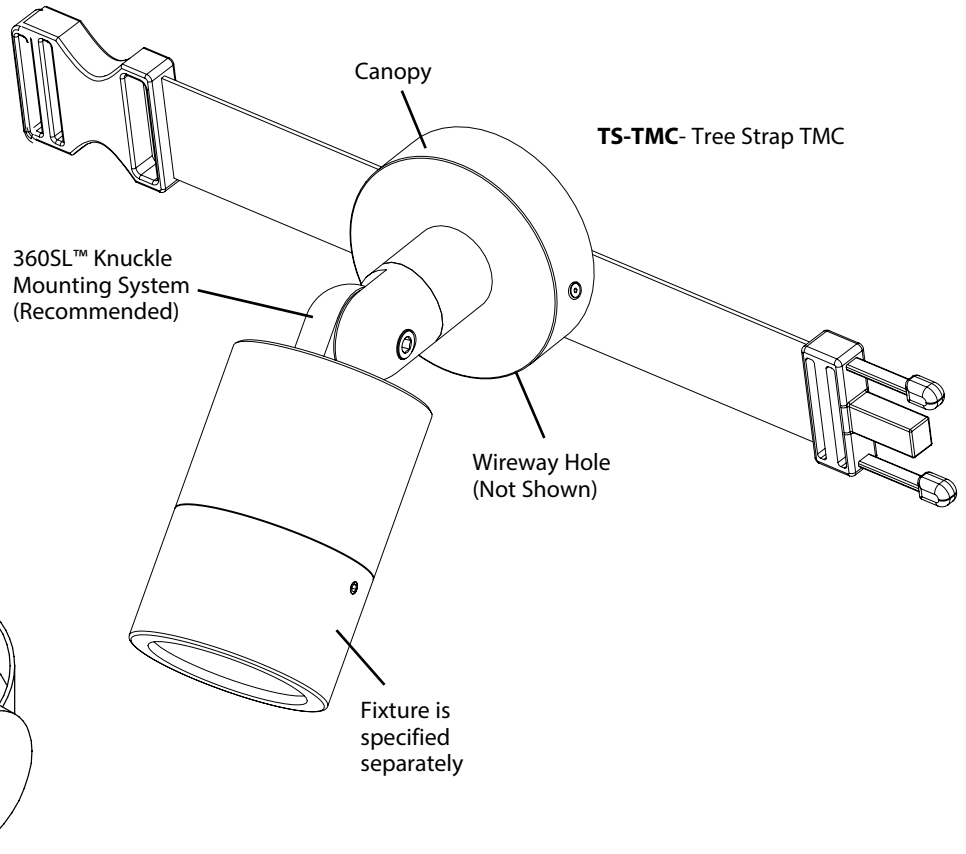
Please refer to the low voltage design guide at www.tekaillumination.com/lvguide before installation for proper wire selection.

⚠ WARNING

360SL™ Knuckle Mounting System
recommended for use with TS-TMC.

**Installed TS-TMC wireway holes must
face downwards. Do not install wireway
upwards in outdoor installation.**

**Failure to comply with requirements will
void product warranty.**



IMPORTANT SAFETY INFORMATION - READ, FOLLOW, AND SAVE THESE INSTALLATION INSTRUCTIONS

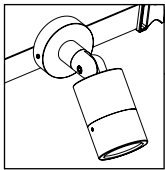
TEKA ILLUMINATION

40429 Brickyard Drive • Madera, CA 93636 • USA
559.438.5800 • FAX 559.438.5900
www.tekaillumination.com • info@tekaillumination.com

RELEASED
9-8-17

REFERENCE NUMBER
INS-2136-00

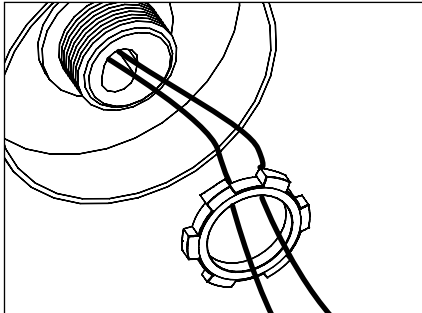
THIS DOCUMENT CONTAINS PROPRIETARY INFORMATION OF TEKA ILLUMINATION, INC. AND ITS RECEIPT OR POSSESSION DOES NOT CONVEY ANY RIGHTS TO REPRODUCE, DISCLOSE ITS CONTENTS, OR TO MANUFACTURE, USE OR SELL ANYTHING IT MAY DESCRIBE. REPRODUCTION, DISCLOSURE OR USE WITHOUT SPECIFIC WRITTEN AUTHORIZATION OF TEKA ILLUMINATION, INC. IS STRICTLY FORBIDDEN.



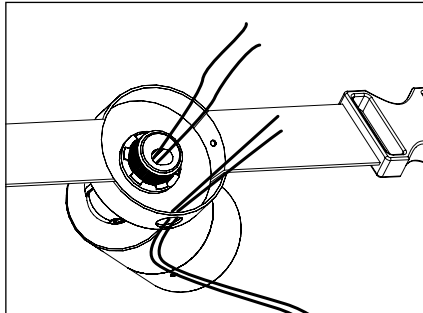
TREE STRAP TMC

PROJECT:	
TYPE:	

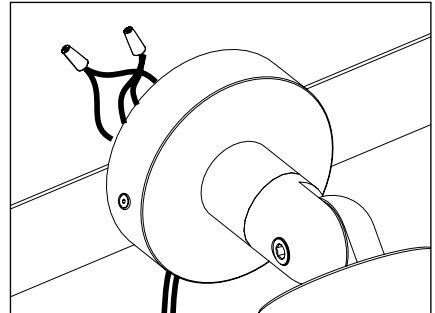
Tree Strap Installation



1. Mount knuckle onto canopy by securing 1/2" NPS stem with provided locknut.

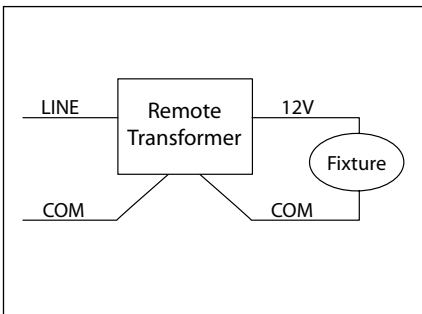


2. Run low voltage wiring from remote transformer (By Others) to the fixture through the wire entry of the canopy.



3. Make watertight connections using waterproof wire connectors to connect remote transformer leads to fixture leads. **See wiring diagram.**

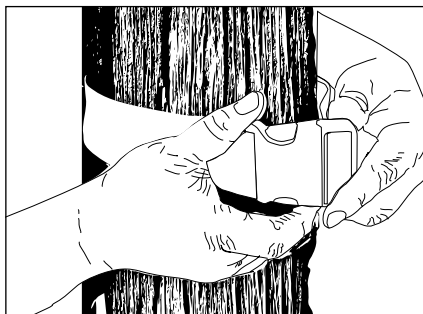
⚠ Contractor is responsible for watertight connections.



WIRING DIAGRAM

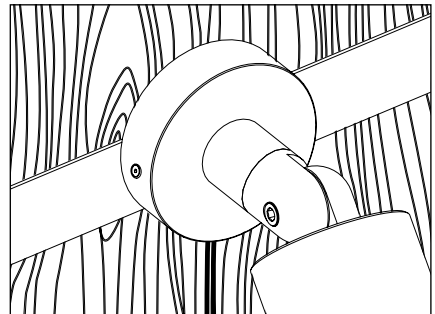
⚠ LED - For use with 12VAC **BISSSEL** remote transformer or magnetic transformers only. TEKA Illumination cannot guarantee performance with third party manufacturers' transformers.

⚠ Low Voltage - For use with 12VAC remote transformer.



4. Place connections into TS-TMC canopy. Use adjustable strap provided to attach TS-TMC with fixture to tree.

⚠ Canopy must be mounted vertically and with wire entry facing downwards. Other mounting orientations will void warranty.



5. Tighten by pulling on the adjustable strap until secure.

⚠ Canopy should be flush with tree surface.

**IMPORTANT SAFETY INFORMATION LISTED ON REVERSE
READ, FOLLOW, AND SAVE ALL SAFETY AND INSTALLATION INSTRUCTIONS**

