

# CITADEL BOLLARD™ (CTB)



Warning



Hot Surface



Wear Gloves



High Voltage

NEEDED FOR INSTALLATION:

- 5/64", 9/64" & 3/32" Allen Wrench
- Waterproof Wire Connectors
- Mounting Hardware
- Gloves
- Adjustable Crescent Wrench
- Silicone Sealant

By Others

## IMPORTANT SAFETY INFORMATION - READ, FOLLOW, AND SAVE THESE INSTALLATION INSTRUCTIONS



**IMPORTANT - WEAR GLOVES TO AVOID GETTING FINGERPRINTS ON THIS PRODUCT. MANY TEKA ILLUMINATION PRODUCTS ARE DESIGNED TO NATURALLY PATINA. OILS FROM YOUR SKIN WILL ACCELERATE THIS PROCESS WHERE TOUCHED AND ARE NEARLY IMPOSSIBLE TO REMOVE. THIS PROCESS OCCURS OVER TIME AND IS DETERMINED BY THE INSTALLATION ENVIRONMENT.**

### INSTRUCTIONS PERTAINING TO A RISK OF FIRE, OR INJURY TO PERSONS IMPORTANT SAFETY INSTRUCTIONS

**Lighted fixture is HOT!**

**WARNING - To reduce the risk of FIRE OR INJURY TO PERSONS:**

Turn off/unplug and allow to cool before replacing LED. Fixture gets HOT quickly! Contact only switch/plug when turning on. Do not touch hot lens, guard, or enclosure. Keep fixture away from materials that may burn. Do not operate the luminaire fitting with a missing or damaged shield. Do not touch the source at any time. Use a soft cloth or gloves. Oil from skin may cause damage.

**SAVE THESE INSTRUCTIONS**

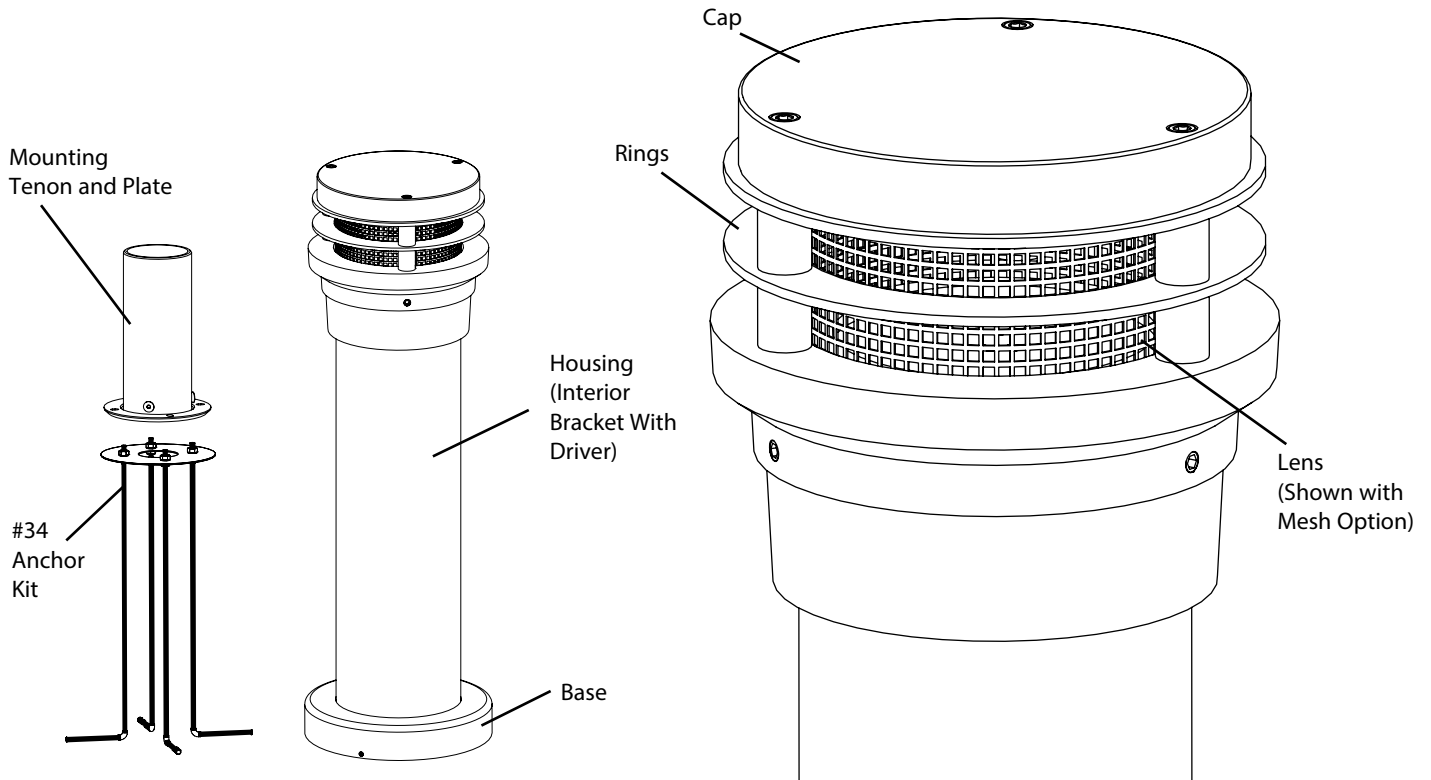
### IMPORTANT SAFETY INFORMATION - READ, FOLLOW, AND SAVE ALL SAFETY AND INSTALLATION INSTRUCTIONS

- Product must be installed by a qualified person in a manner consistent with its intended use and in compliance with the National Electrical Code, Canadian Electrical Code, and all Local and Provincial Codes.
- Follow product label information and instructions.
- Qualified Personnel with appropriate personal protective equipment must perform all servicing of this product.
- Before wiring to power supply and during servicing, turn off and lock out power at fuse or circuit breaker before service.
- The use of accessory equipment not recommended by the manufacturer or installed contrary to instructions may cause an unsafe condition. The use of damaged components may cause an unsafe condition and void product warranty.
- Do not block light emanating from product in whole or part, as this may cause an unsafe condition.
- Never operate the fixture with missing or damaged lens. Lens must be cleaned on regular basis.
- Entire fixture may become extremely hot. Do not touch hot lens or fixture body.
- Replace LED assembly only with correct wattage and type of power supply appropriate for LED assembly.
- All gaskets, o-rings and sealing surfaces must be kept clean during installation and service; failure to do this may cause an unsafe condition and void product warranty.

### IMPORTANT LISTINGS AND CERTIFICATIONS

- Suitable for wet locations

**Proper soil preparation is recommended before installation. See the DIG-IT guide at [www.tekaillumination.com/dig-it](http://www.tekaillumination.com/dig-it) for more information.**



## IMPORTANT SAFETY INFORMATION - READ, FOLLOW, AND SAVE THESE INSTALLATION INSTRUCTIONS

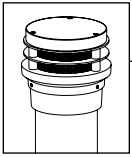
**TEKA** ILLUMINATION

40429 Brickyard Drive • Madera, CA 93636 • USA  
559.438.5800 • FAX 559.438.5900  
[www.tekaillumination.com](http://www.tekaillumination.com) • [info@tekaillumination.com](mailto:info@tekaillumination.com)

DATE  
10-9-17

REFERENCE NUMBER  
INS-2676-00

THIS DOCUMENT CONTAINS PROPRIETARY INFORMATION OF TEKA ILLUMINATION AND ITS RECEIPT OR POSSESSION DOES NOT CONVEY ANY RIGHTS TO REPRODUCE, DISCLOSE ITS CONTENTS, OR TO MANUFACTURE, USE OR SELL ANYTHING IT MAY DESCRIBE. REPRODUCTION, DISCLOSURE OR USE WITHOUT SPECIFIC WRITTEN AUTHORIZATION OF TEKA ILLUMINATION IS STRICTLY FORBIDDEN.



**B-K LIGHTING**  
SOLID STATE LIGHTING

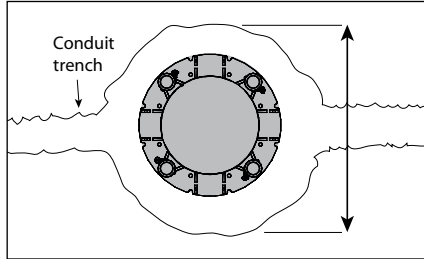


# CITADEL BOLLARD™ (CTB)

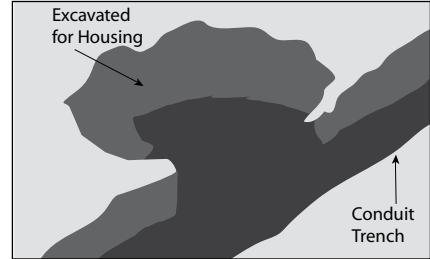
## Soil Prep



A. Determine Soil Type by referencing DIG-IT Guide. Prep soil according to DIG-IT Guide.

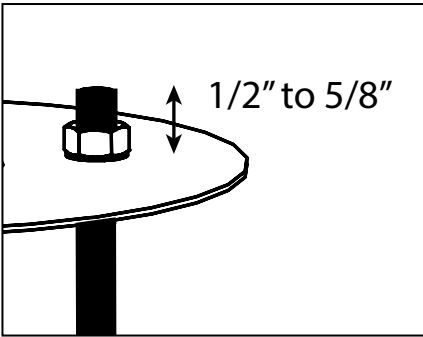


B. Dig hole 10" wide and 24" deep.

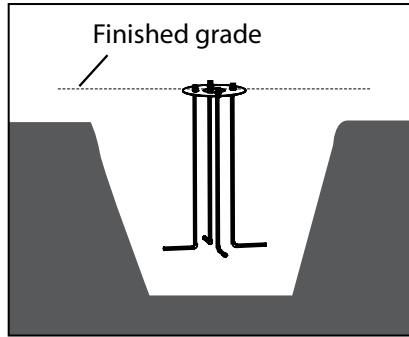


C. Prep soil according to DIG-IT Guide.

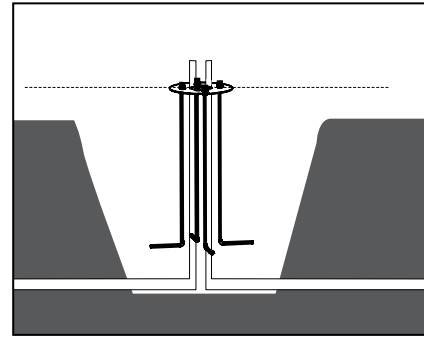
## Anchor Kit Installation



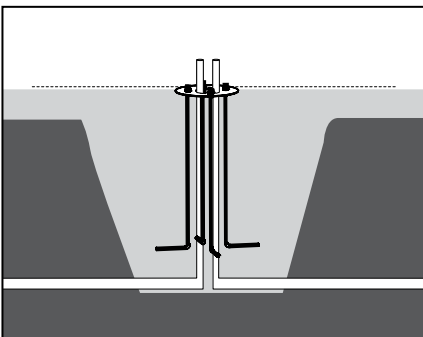
1. Adjusted anchor bolts to project at least 1/2" but no more than 5/8" above the anchor plate after installation. The four (4) 1/4-20 nuts on top of the plate may be left in place while concrete is poured.



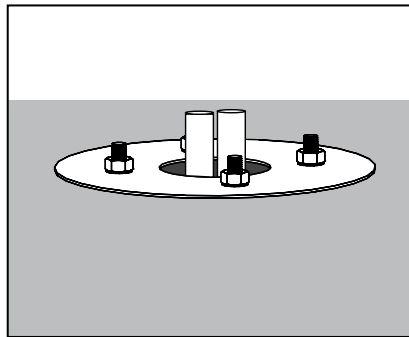
2. Install anchor plate and bolt assembly flush with the finished grade.



3. Run conduit inside of the anchor plate center hole prior to pouring concrete. The conduit may project above the finished surface of the concrete by 3/8" maximum.



4. With the conduits in place and the anchor plate properly positioned, secured and leveled, concrete may be poured.



5. The fixture may be installed by removing the four (4) 1/4-20 nuts and re-using them to secure the fixture mounting base assembly. Trim conduit as needed.

**IMPORTANT SAFETY INFORMATION LISTED ON REVERSE  
READ, FOLLOW, AND SAVE ALL SAFETY AND INSTALLATION INSTRUCTIONS**

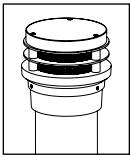


**TEKA** ILLUMINATION

40429 Brickyard Drive • Madera, CA 93636 • USA  
559.438.5800 • FAX 559.438.5900  
www.tekailumination.com • info@tekailumination.com

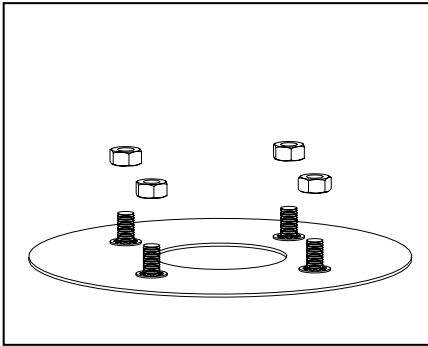
DATE  
10-9-17

REFERENCE NUMBER  
INS-2676-00

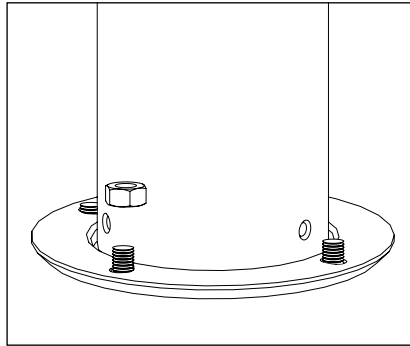


# CITADEL BOLLARD™ (CTB)

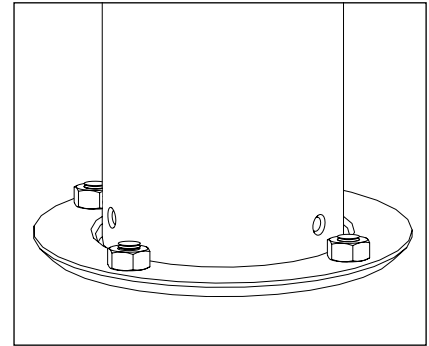
## Base & Tenon Installation



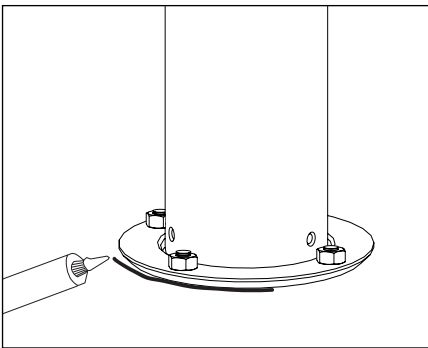
1. Remove 1/4-20 nuts from installed #34 anchor kit with adjustable crescent wrench.



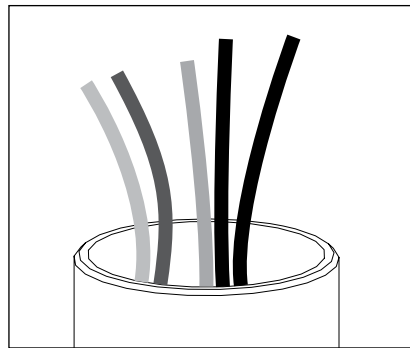
2. Line up then place base over installed 1/4-20 nuts.



3. Secure to anchor bolts with the 1/4-20 nuts and lockwashers provided with the anchor kit using adjustable crescent wrench.

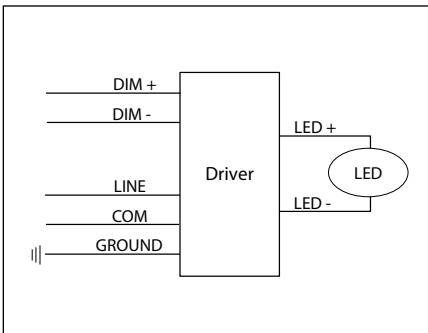


4. Seal as per NEC with waterproof silicone sealant (By Others).



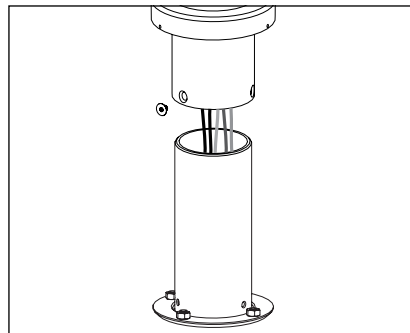
5. Pull primary branch circuit wiring and any additional dimming controls or other wiring necessary for installation (By Others.)

## Standard Installation

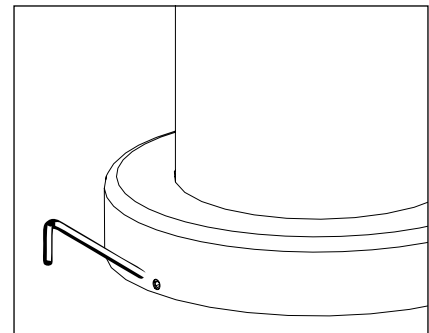


### WIRING DIAGRAM

1. Make connections from primary branch circuit to driver primary leads using watertight wire connectors (By Others). Connect green fixture ground wire to green primary ground wire. Secondary side is factory wired. Connect incoming dimming controls (By Others) to dimming controls on primary side of driver. **See wiring diagram.**



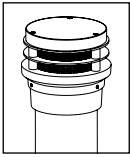
2. Place wiring connections inside of tenon. Secure fixture body to tenon with three (3) 1/4-20 set screws using 3/16" Allen wrench.



3. Slide decorative base over mounting tenon and base, then secure with three (3) #8-32 set screws using 5/64" Allen wrench.

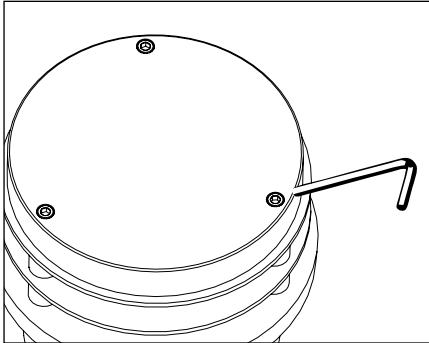
**IMPORTANT SAFETY INFORMATION LISTED ON REVERSE  
READ, FOLLOW, AND SAVE ALL SAFETY AND INSTALLATION INSTRUCTIONS**



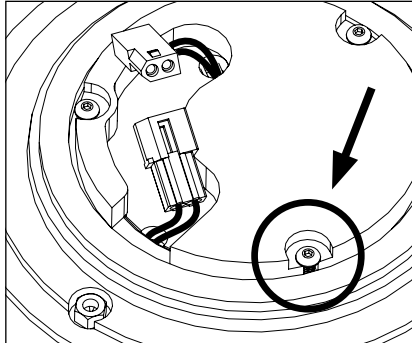


# CITADEL BOLLARD™ (CTB)

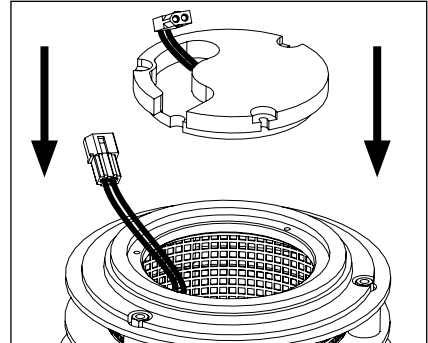
## Replacing LED Assembly



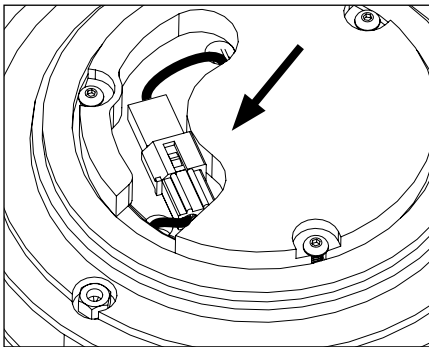
1. Loosen three (3) #8-32 set screws on cap using 9/64" Allen wrench.



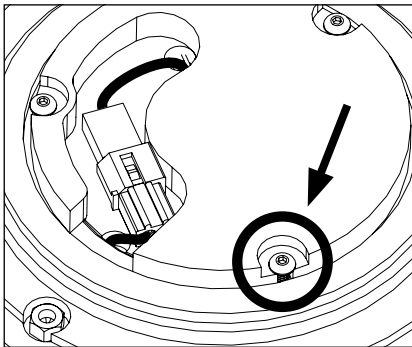
2. Disconnect quick disconnects at top of heatsink. Do not pull too hard.  
3. Loosen three (3) #4-40 screws at top of heatsink using 3/32" Allen wrench. Carefully pull up heatsink with LED assembly.



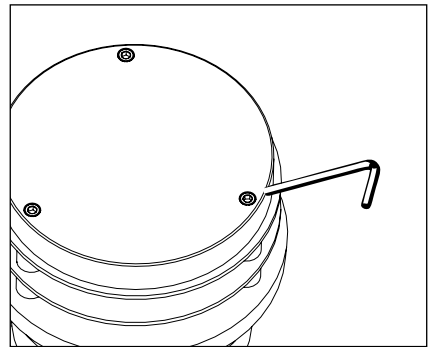
4. Drop in new heatsink and LED assembly.



5. Reconnect quick disconnects at top of heatsink.



6. Tighten three (3) screws at top of heatsink using 3/32" Allen wrench.



7. Place cap back on fixture body. Tighten three (3) #8-32 set screws on cap using 9/64" Allen wrench.

**IMPORTANT SAFETY INFORMATION LISTED ON REVERSE  
READ, FOLLOW, AND SAVE ALL SAFETY AND INSTALLATION INSTRUCTIONS**

