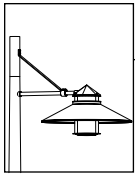


LWB POLE MOUNT - TR5 (LBW-TR5)



Warning



Hot Surface



High Voltage

NEEDED
FOR
INSTALLATION:

5/32", 5/64" & 0.050" Allen Wrench

IMPORTANT SAFETY INFORMATION - READ, FOLLOW, AND SAVE THESE INSTALLATION INSTRUCTIONS

INSTRUCTIONS PERTAINING TO A RISK OF FIRE, OR INJURY TO PERSONS IMPORTANT SAFETY INSTRUCTIONS

Lighted fixture is HOT!

WARNING - To reduce the risk of FIRE OR INJURY TO PERSONS:

Turn off/unplug and allow to cool before replacing LED. Fixture gets HOT quickly! Contact only switch/plug when turning on. Do not touch hot lens, guard, or enclosure. Keep fixture away from materials that may burn. Do not operate the luminaire fitting with a missing or damaged shield. Do not touch the source at any time. Use a soft cloth or gloves. Oil from skin may cause damage.

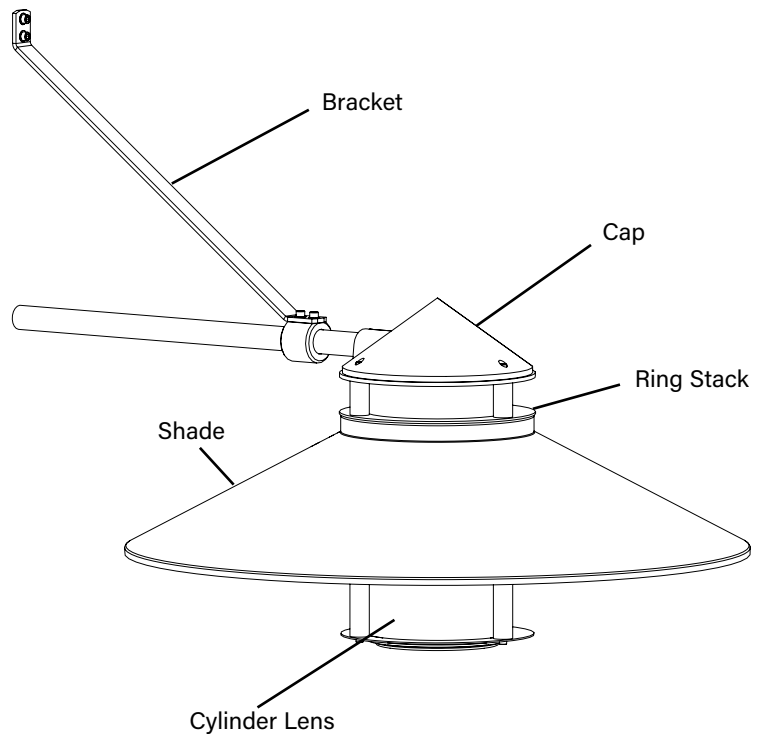
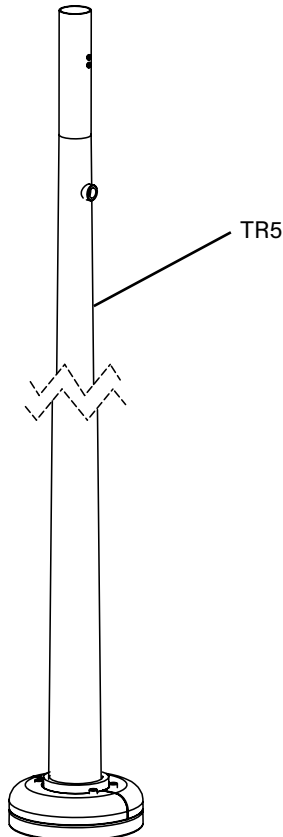
SAVE THESE INSTRUCTIONS

IMPORTANT SAFETY INFORMATION - READ, FOLLOW, AND SAVE ALL SAFETY AND INSTALLATION INSTRUCTIONS

- Product must be installed by a qualified person in a manner consistent with its intended use and in compliance with the National Electrical Code, Canadian Electrical Code, and all Local and Provincial Codes.
- Follow product label information and instructions.
- Qualified Personnel with appropriate personal protective equipment must perform all servicing of this product.
- Before wiring to power supply and during servicing, turn off and lock out power at fuse or circuit breaker before service.
- The use of accessory equipment not recommended by the manufacturer or installed contrary to instructions may cause an unsafe condition. The use of damaged components may cause an unsafe condition and void product warranty.
- Do not block light emanating from product in whole or part, as this may cause an unsafe condition.
- Never operate the fixture with missing or damaged lens. Lens must be cleaned on regular basis.
- Entire fixture may become extremely hot. Do not touch hot lens or fixture body.
- Replace LED assembly only with correct wattage and type of power supply appropriate for LED assembly.
- All gaskets, o-rings and sealing surfaces must be kept clean during installation and service; failure to do this may cause an unsafe condition and void product warranty.

IMPORTANT LISTINGS AND CERTIFICATIONS

- Suitable for wet locations



IMPORTANT SAFETY INFORMATION - READ, FOLLOW, AND SAVE THESE INSTALLATION INSTRUCTIONS

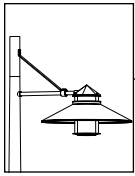
TEKA ILLUMINATION

40429 Brickyard Drive • Madera, CA 93636 • USA
559.438.5800 • FAX 559.438.5900
www.tekaillumination.com • info@tekaillumination.com

RELEASE DATE
08/03/2021

REFERENCE NUMBER
INS-2847-00

THIS DOCUMENT CONTAINS PROPRIETARY INFORMATION OF TEKA ILLUMINATION AND ITS RECEIPT OR POSSESSION DOES NOT CONVEY ANY RIGHTS TO REPRODUCE, DISCLOSE ITS CONTENTS, OR TO MANUFACTURE, USE OR SELL ANYTHING IT MAY DESCRIBE. REPRODUCTION, DISCLOSURE OR USE WITHOUT SPECIFIC WRITTEN AUTHORIZATION OF TEKA ILLUMINATION IS STRICTLY FORBIDDEN.



LWB POLE MOUNT - TR5 (LBW-TR5)

Installation Instructions

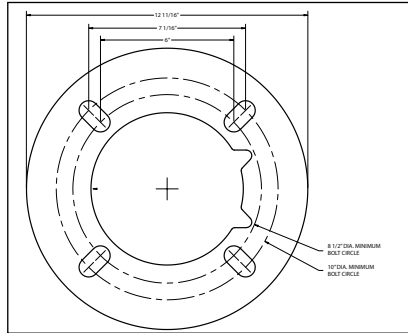
Phase 1 - Install Pole

Installation of pole.

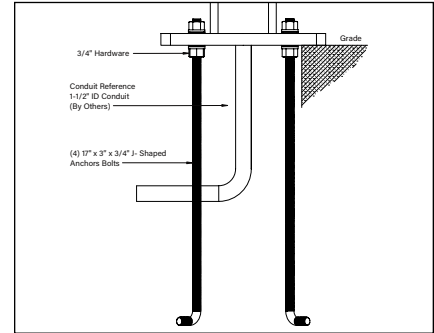
1. Install pole according to lighting plan. Install conduit (by others) to be used with this product.
2. Pull wiring necessary for installation (by others.)

⚠ Leave sufficient wire length in the pole for future service.

⚠ Install as per NEC for location.

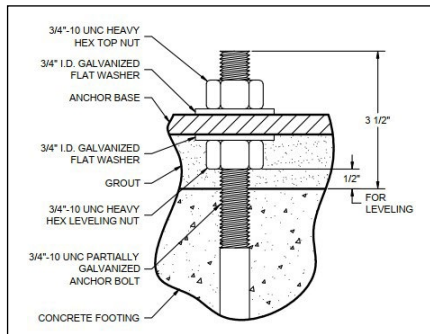


1. Mounting base is 12-11/16" round with a bolt circle of 8-1/2" to 10" in diameter.

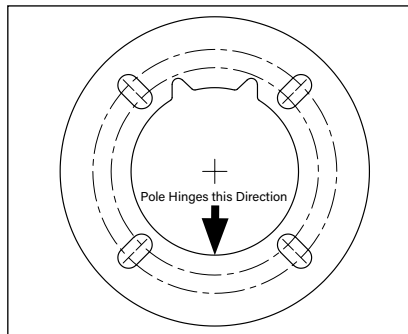


2. Dig hole for conduit installation and deep enough for anchor bolts and concrete footing. See anchor bolt detail step.

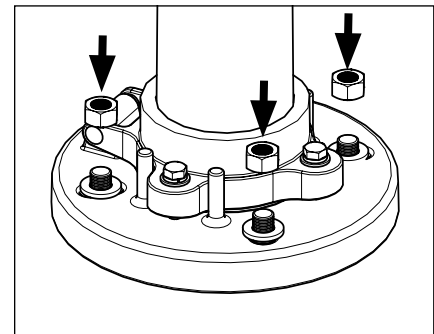
Adequate drainage must be provided in concrete foundation or grout.



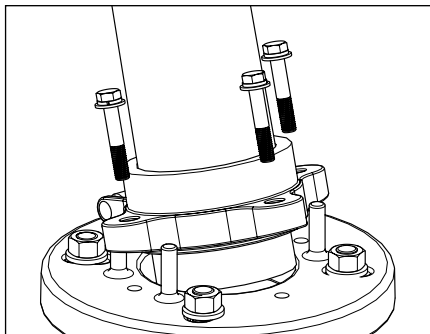
3. Install anchor bolts according to detail to allow pole leveling. Use caution when setting anchor bolts. Bolts must be vertically straight.



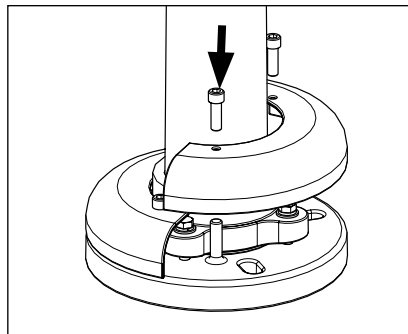
4. To assure proper operation of the hinge mechanism, the electrical supply conduit must not project more than 1-1/2" above the surface of the concrete.



5. Secure pole base to anchor bolts using provided hardware with anchor bolt kit. Tighten securely to prevent hardware from loosening.



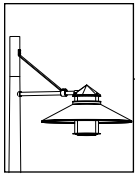
6. To tilt pole over hinge base, loosen the three (3) 1/2"-13 stainless bolts. Carefully lower pole into a resting position.



7. If pole comes with cover, place cover on the base of the pole. Secure with the four (4) 1/4"-20 hex screws using a 3/16" allen wrench.

**IMPORTANT SAFETY INFORMATION LISTED ON REVERSE
READ, FOLLOW, AND SAVE ALL SAFETY AND INSTALLATION
INSTRUCTIONS**

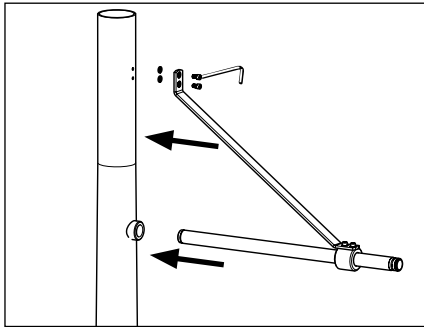




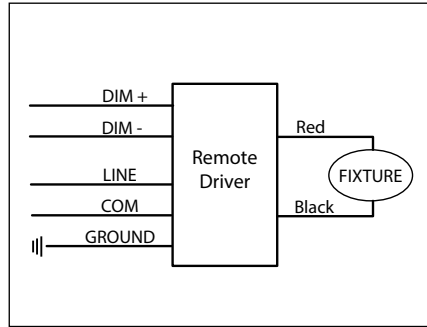
LWB POLE MOUNT - TR5 (LBW-TR5)

Installation Instructions

Phase 1 - Fixture Installation

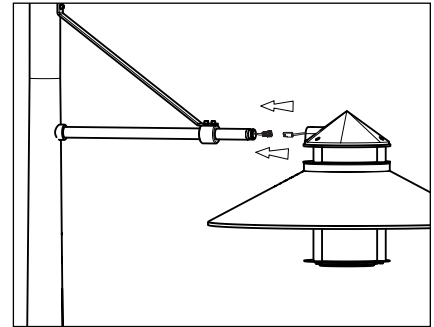


1. Attach threaded stem to pole. Attach support bracket to the stem. Bolt down support bracket to stem using the hardware provided and a bolt down bracket to pole using hardware provided with a 3/16 allen wrench.

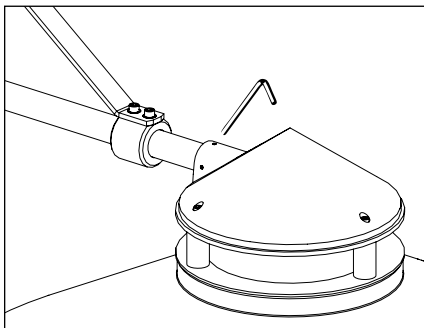


WIRING DIAGRAM

2. Connect remote driver secondary wiring to fixture leads using watertight wire connectors (by others) as per NEC. Place wiring and connections into junction box. **See wiring diagram.**



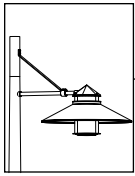
3. Connect secondary leads in stem with secondary leads from fixture body with quick disconnect.



4. Slide fixture body onto stem, then secure by tightening two (2) #8-32 set screws with a 5/64" allen wrench.

**IMPORTANT SAFETY INFORMATION LISTED ON REVERSE
READ, FOLLOW, AND SAVE ALL SAFETY AND INSTALLATION
INSTRUCTIONS**

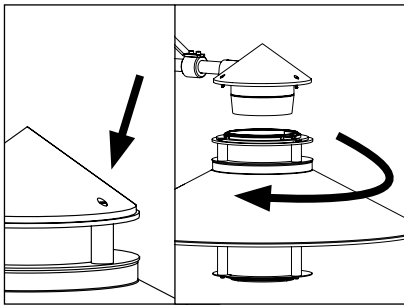




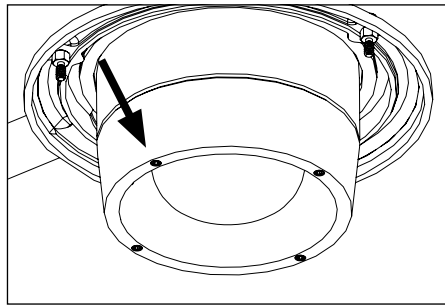
LWB POLE MOUNT - TR5 (LBW-TR5)

Installation Instructions

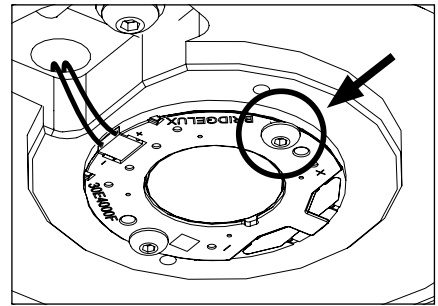
To Replace Components



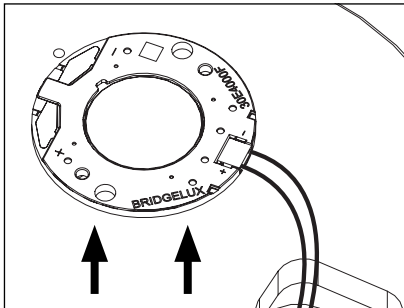
1. Loosen (3) #10-24 set screws on cap with a 5/32" allen wrench. Retain screws in cap.
Twist fixture body, then pull away.



2. Loosen four (4) #4-40 set screws on dome lens optic holder using a 0.050" allen wrench. Gently remove dome lens optic and optic holder.

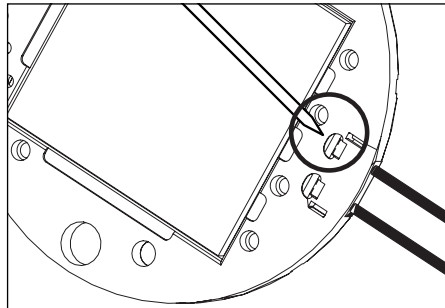


3. Loosen two (2) #4-40 screws with a 0.050" allen wrench. Gently pull optic holder off heatsink.



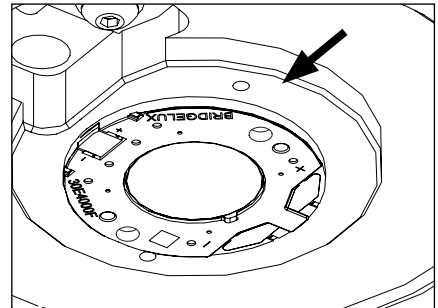
4. Carefully remove LED module from heatsink.

⚠ Do not pull on connector or wiring. Handle with care.



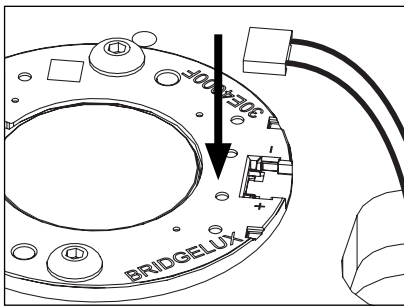
5. Use small pick tool to push connector off LED board through two small slots behind connector. Once loose, lift connector upwards and off board.

⚠ Fragile! Do not pull on connector or wiring. Handle with care.



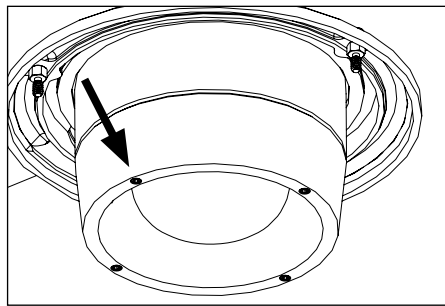
6. Spread thin, even layer of thermal paste on back of new LED module. Place new LED module on heatsink, lining up module with holes for screws.

Tighten two (2) #4-40 screws using a 0.050" allen wrench to secure LED module to heatsink.

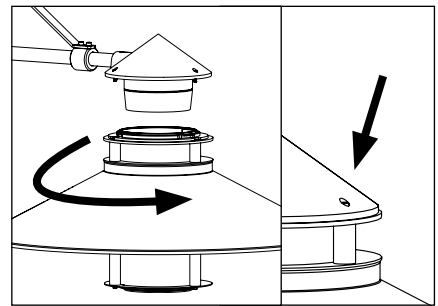


7. Press connector straight downwards into slot on module to snap into place.

⚠ Connector will only fit in one direction.



8. Place dome lens and optic holder back onto cap. Tighten four (4) #4-40 set screws on dome lens optic holder using a 0.050" allen wrench.



9. Line up body assembly ring to cap. Twist into cap to secure. Line up holes in body assembly with holes in cap. Secure by tightening three (3) #10-24 set screws with a 5/32" allen wrench.

⚠ Warning: Do not over tighten set screw. Doing so will compromise o-ring seal and will void warranty.

IMPORTANT SAFETY INFORMATION LISTED ON REVERSE READ, FOLLOW, AND SAVE ALL SAFETY AND INSTALLATION INSTRUCTIONS

