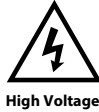


Power Pipe™ Stake



Warning



High Voltage



Hot Surface

POWER PIPE™ SYSTEM

NEEDED FOR INSTALLATION:



5/64" Allen Wrench

Waterproof Wire Connectors

Phillips Screwdriver

By Others

IMPORTANT SAFETY INFORMATION - READ, FOLLOW, AND SAVE THESE INSTALLATION INSTRUCTIONS



IMPORTANT - WEAR GLOVES TO AVOID GETTING FINGERPRINTS ON THIS PRODUCT. MANY TEKA ILLUMINATION PRODUCTS ARE DESIGNED TO NATURALLY PATINA. OILS FROM YOUR SKIN WILL ACCELERATE THIS PROCESS WHERE TOUCHED AND ARE NEARLY IMPOSSIBLE TO REMOVE. THIS PROCESS OCCURS OVER TIME AND IS DETERMINED BY THE INSTALLATION ENVIRONMENT.

INSTRUCTIONS PERTAINING TO A RISK OF FIRE, OR INJURY TO PERSONS IMPORTANT SAFETY INSTRUCTIONS

Lighted fixture is HOT!

WARNING - To reduce the risk of FIRE OR INJURY TO PERSONS:

Turn off/unplug and allow to cool before replacing LED. Fixture gets HOT quickly! Contact only switch/plug when turning on. Do not touch hot lens, guard, or enclosure. Keep fixture away from materials that may burn. Do not operate the luminaire fitting with a missing or damaged shield. Do not touch the source at any time. Use a soft cloth or gloves. Oil from skin may cause damage.

SAVE THESE INSTRUCTIONS

IMPORTANT SAFETY INFORMATION - READ, FOLLOW, AND SAVE ALL SAFETY AND INSTALLATION INSTRUCTIONS

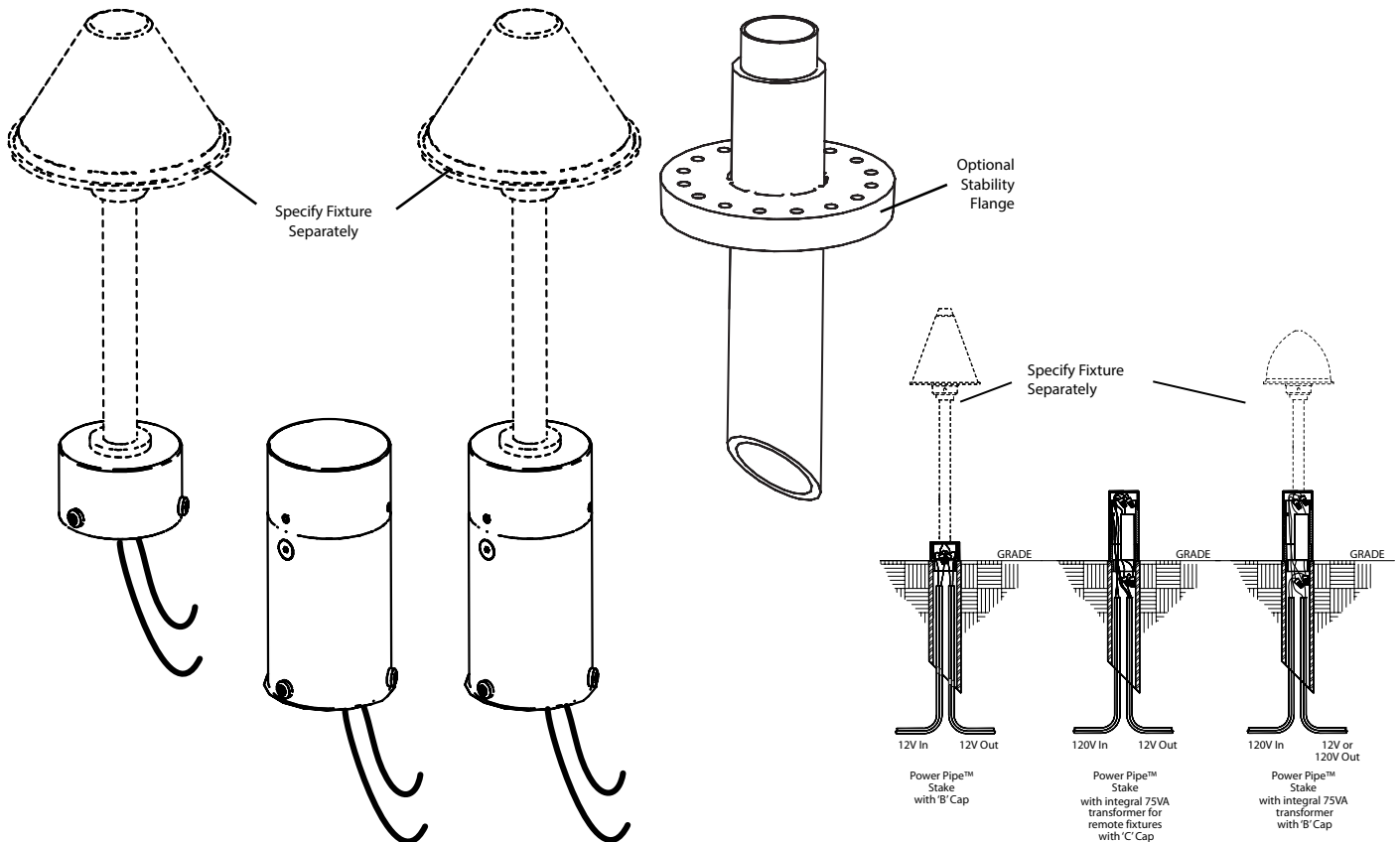
- Product must be installed by a qualified person in a manner consistent with its intended use and in compliance with the National Electrical Code, Canadian Electrical Code, and all Local and Provincial Codes.
- Follow product label information and instructions.
- Qualified Personnel with appropriate personal protective equipment must perform all servicing of this product.
- Before wiring to power supply and during servicing, turn off and lock out power at fuse or circuit breaker before service.
- The use of accessory equipment not recommended by the manufacturer or installed contrary to instructions may cause an unsafe condition. The use of damaged components may cause an unsafe condition and void product warranty.

- Do not block light emanating from product in whole or part, as this may cause an unsafe condition.
- Never operate the fixture with missing or damaged lens. Lens must be cleaned on regular basis.
- Entire fixture may become extremely hot. Do not touch hot lens or fixture body.
- Replace LED assembly only with correct wattage and type of power supply appropriate for LED assembly.
- All gaskets, o-rings and sealing surfaces must be kept clean during installation and service; failure to do this may cause an unsafe condition and void product warranty.

IMPORTANT LISTINGS AND CERTIFICATIONS

• Suitable for wet locations

Please refer to the low voltage design guide at www.tekaillumination.com/lvguide before installation for proper wire selection.



IMPORTANT SAFETY INFORMATION - READ, FOLLOW, AND SAVE THESE INSTALLATION INSTRUCTIONS

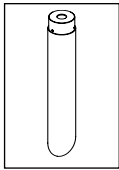
TEKA ILLUMINATION

40429 Brickyard Drive • Madera, CA 93636 • USA
559.438.5800 • FAX 559.438.5900
www.tekaillumination.com • info@tekaillumination.com

RELEASE DATE
9-12-17

DRAWING NUMBER
INS-001082

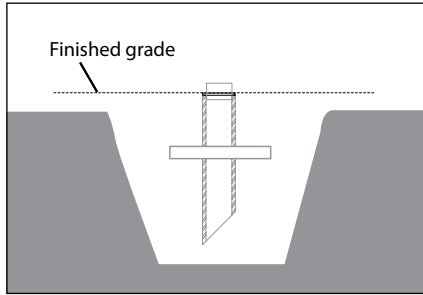
THIS DOCUMENT CONTAINS PROPRIETARY INFORMATION OF TEKA ILLUMINATION AND ITS RECEIPT OR POSSESSION DOES NOT CONVEY ANY RIGHTS TO REPRODUCE, DISCLOSE ITS CONTENTS, OR TO MANUFACTURE, USE OR SELL ANYTHING IT MAY DESCRIBE. REPRODUCTION, DISCLOSURE OR USE WITHOUT SPECIFIC WRITTEN AUTHORIZATION OF TEKA ILLUMINATION IS STRICTLY FORBIDDEN.



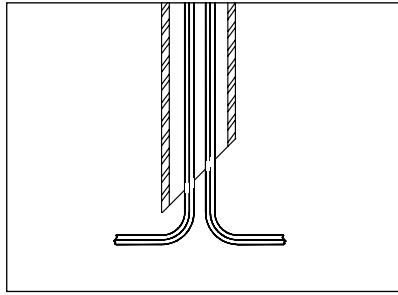
Power Pipe™ Stake

POWER PIPE™ SYSTEM

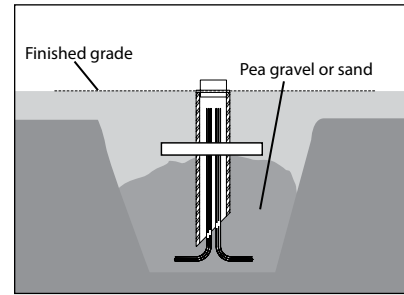
INSTALLATION OF POWER PIPE™ STAKE



1. Excavate trench according to designed lighting plan. Dig hole a minimum of 24" deep and 10" wide to accommodate Power Pipe™ at desired fixture locations.

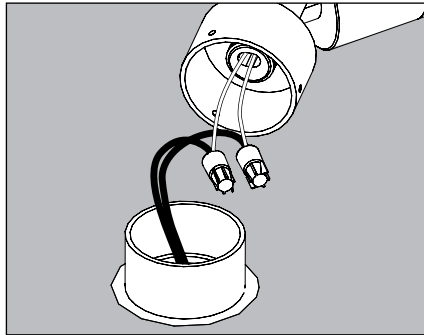


2. Route the necessary UL approved under ground branch circuit or low voltage wiring to Power Pipe™ necessary for appropriate installation. Leave enough length to make connections to lamp leads.

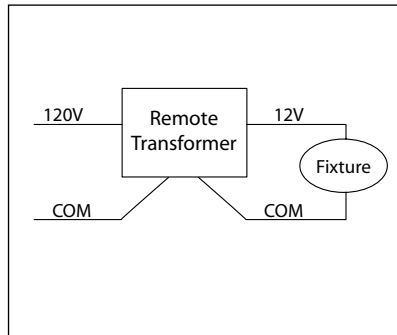


3. Back fill hole with soil and/or prep for concrete.
4. Pull branch circuit or low voltage wiring necessary for appropriate installation (By Others).

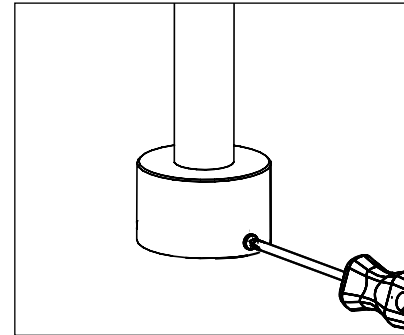
STAKE WITH "B" CAP:



1. Make watertight connections from remote magnetic transformer to fixture leads using waterproof wire connectors. (By Others)

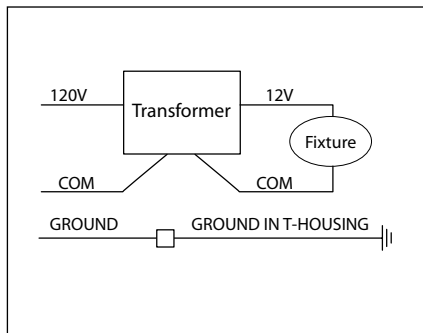


WIRING DIAGRAM

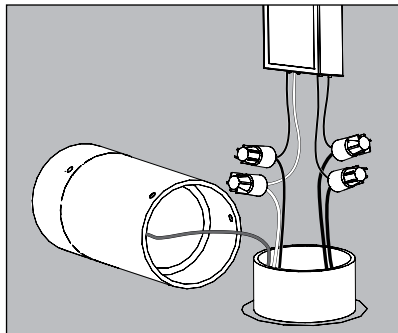


2. Attach B cap to Power Pipe™ with (3) #8-32 round head Phillips stainless steel screws at base to secure to Power Pipe™ with Phillips screwdriver.

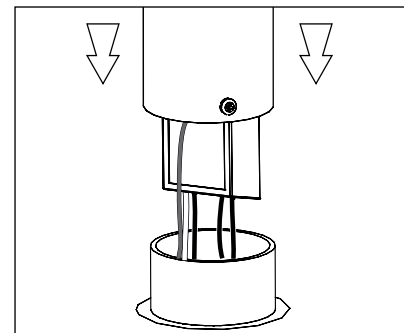
STAKE WITH INTEGRAL TRANSFORMER T-HOUSING WITH "C" CAP:



1. Make watertight connections from primary branch circuit to primary side of transformer using waterproof wire connectors. (By Others). Attach secondary leads from transformer to fixture leads using waterproof wire connectors. (By Others). **See wiring diagram.**



2. Attach ground from branch circuit to screw in transformer T-housing. Place transformer and connectors into T-housing.



3. Attach C cap and transformer T-housing to Power Pipe™ with (3) #8-32 round head Phillips stainless steel screws at base of housing to secure to Power Pipe™ with Phillips screwdriver.

**IMPORTANT SAFETY INFORMATION LISTED ON REVERSE
READ, FOLLOW, AND SAVE ALL SAFETY AND INSTALLATION INSTRUCTIONS**

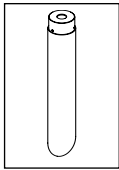
TEKA ILLUMINATION

40429 Brickyard Drive • Madera, CA 93636 • USA
559.438.5800 • FAX 559.438.5900
www.tekaillumination.com • info@tekaillumination.com

RELEASE DATE
9-12-17

DRAWING NUMBER
INS-001082

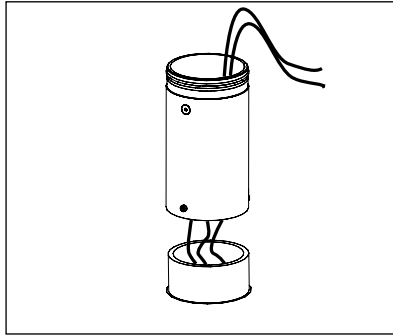
THIS DOCUMENT CONTAINS PROPRIETARY INFORMATION OF TEKA ILLUMINATION AND ITS RECEIPT OR POSSESSION DOES NOT CONVEY ANY RIGHTS TO REPRODUCE, DISCLOSE ITS CONTENTS, OR TO MANUFACTURE, USE OR SELL ANYTHING IT MAY DESCRIBE. REPRODUCTION, DISCLOSURE OR USE WITHOUT SPECIFIC WRITTEN AUTHORIZATION OF TEKA ILLUMINATION IS STRICTLY FORBIDDEN.



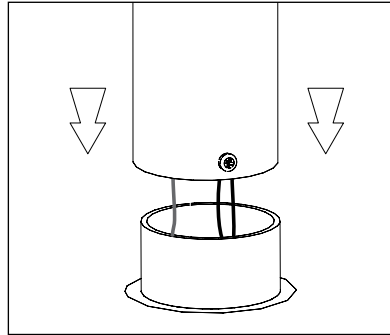
Power Pipe™ Stake

POWER PIPE™ SYSTEM

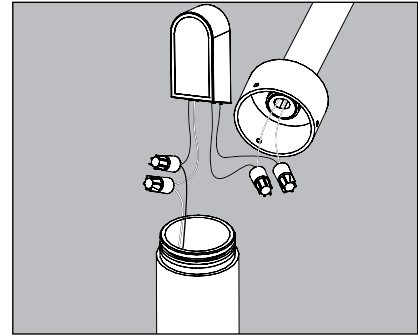
STAKE WITH INTEGRAL TRANSFORMER AND "B" CAP:



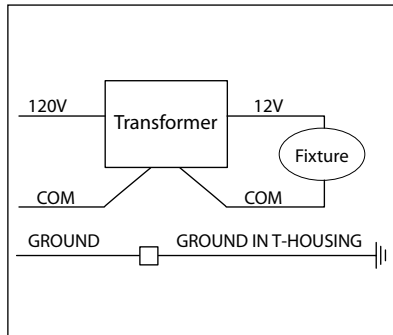
1. Pull primary branch circuit through transformer T-housing. Attach ground from branch circuit to screw in transformer T-housing.



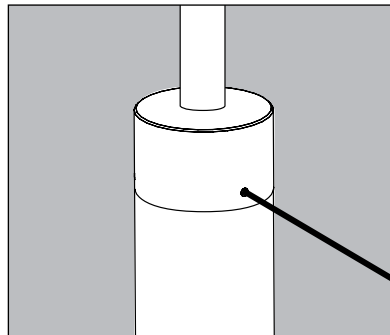
2. Attach transformer T-housing to Power Pipe™ with (3) #8-32 round head Phillips stainless steel screws at base of housing to secure to Power Pipe™ with Phillips screwdriver.



3. Make watertight connections from primary branch circuit to primary side of transformer using waterproof wire connectors. (By Others). Attach secondary leads from transformer to fixture leads using waterproof wire connectors. (By Others). **See wiring diagram.**



WIRING DIAGRAM



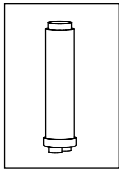
4. Place transformer and connectors into T-housing. Attach B cap to T-housing with (3) #8-32 stainless steel set screws using 5/64" Allen wrench.

**IMPORTANT SAFETY INFORMATION LISTED ON REVERSE
READ, FOLLOW, AND SAVE ALL SAFETY AND INSTALLATION INSTRUCTIONS**

TEKA ILLUMINATION	40429 Brickyard Drive • Madera, CA 93636 • USA 559.438.5800 • FAX 559.438.5900	RELEASE DATE	DRAWING NUMBER
	www.tekaillumination.com • info@tekaillumination.com	9-12-17	INS-001082

THIS DOCUMENT CONTAINS PROPRIETARY INFORMATION OF TEKA ILLUMINATION AND ITS RECEIPT OR POSSESSION DOES NOT CONVEY ANY RIGHTS TO REPRODUCE, DISCLOSE ITS CONTENTS, OR TO MANUFACTURE, USE OR SELL ANYTHING IT MAY DESCRIBE. REPRODUCTION, DISCLOSURE OR USE WITHOUT SPECIFIC WRITTEN AUTHORIZATION OF TEKA ILLUMINATION IS STRICTLY FORBIDDEN.

POWER PIPE™ SYSTEM



Power Pipe™ Junction Box



Warning



High Voltage



Hot Surface

NEEDED FOR INSTALLATION:
By Others



5/64" Allen Wrench
Waterproof Wire Connectors
Phillips Screwdriver

IMPORTANT SAFETY INFORMATION - READ, FOLLOW, AND SAVE THESE INSTALLATION INSTRUCTIONS



IMPORTANT - WEAR GLOVES TO AVOID GETTING FINGERPRINTS ON THIS PRODUCT. MANY TEKA ILLUMINATION PRODUCTS ARE DESIGNED TO NATURALLY PATINA. OILS FROM YOUR SKIN WILL ACCELERATE THIS PROCESS WHERE TOUCHED AND ARE NEARLY IMPOSSIBLE TO REMOVE. THIS PROCESS OCCURS OVER TIME AND IS DETERMINED BY THE INSTALLATION ENVIRONMENT.

INSTRUCTIONS PERTAINING TO A RISK OF FIRE, OR INJURY TO PERSONS IMPORTANT SAFETY INSTRUCTIONS

Lighted fixture is HOT! WARNING - To reduce the risk of FIRE OR INJURY TO PERSONS:

Turn off/unplug and allow to cool before replacing LED. Fixture gets HOT quickly! Contact only switch/plug when turning on. Do not touch hot lens, guard, or enclosure. Keep fixture away from materials that may burn. Do not operate the luminaire fitting with a missing or damaged shield. Do not touch the source at any time. Use a soft cloth or gloves. Oil from skin may cause damage.

SAVE THESE INSTRUCTIONS

IMPORTANT SAFETY INFORMATION - READ, FOLLOW, AND SAVE ALL SAFETY AND INSTALLATION INSTRUCTIONS

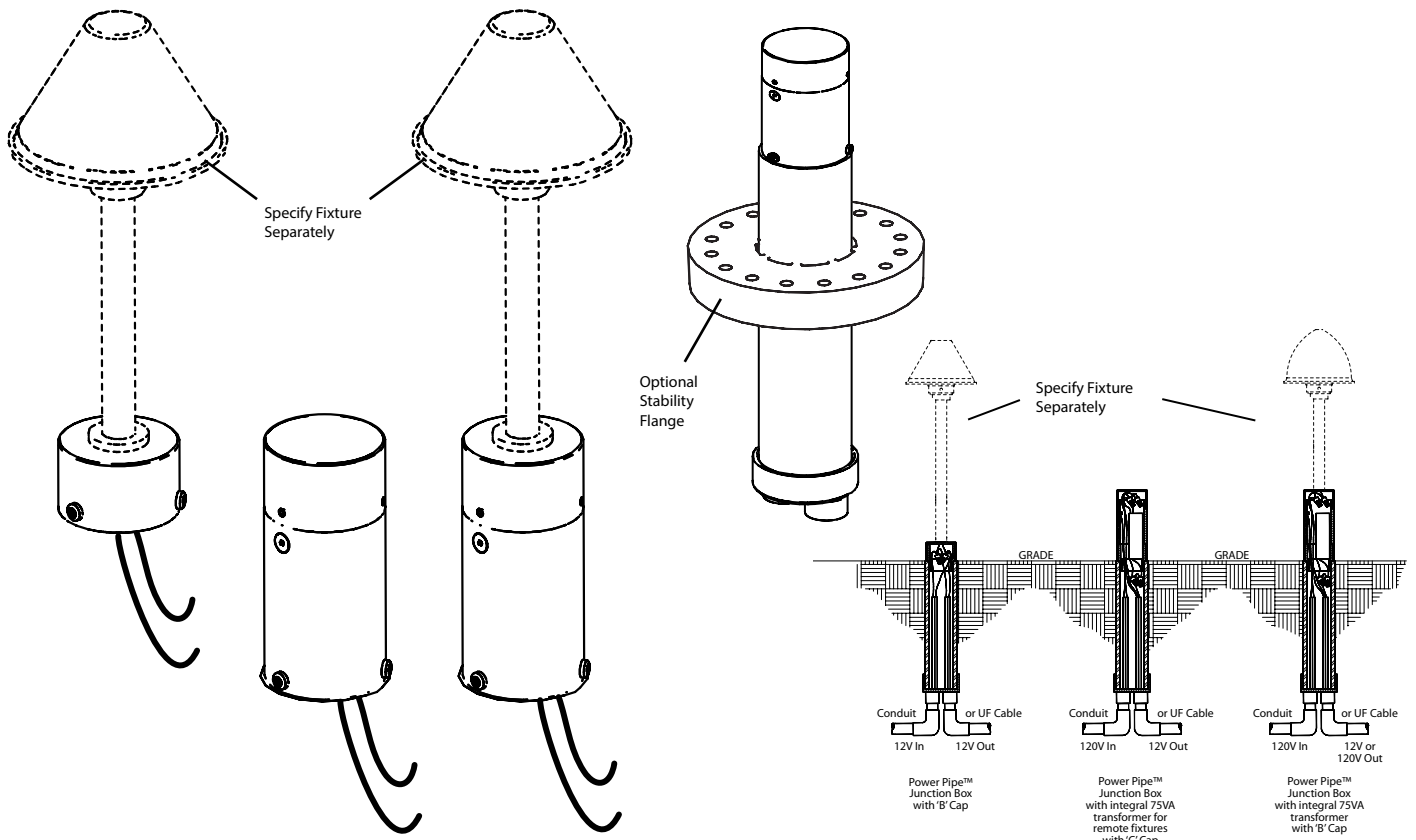
- Product must be installed by a qualified person in a manner consistent with its intended use and in compliance with the National Electrical Code, Canadian Electrical Code, and all Local and Provincial Codes.
- Follow product label information and instructions.
- Qualified Personnel with appropriate personal protective equipment must perform all servicing of this product.
- Before wiring to power supply and during servicing, turn off and lock out power at fuse or circuit breaker before service.
- The use of accessory equipment not recommended by the manufacturer or installed contrary to instructions may cause an unsafe condition. The use of damaged components may cause an unsafe condition and void product warranty.

- Do not block light emanating from product in whole or part, as this may cause an unsafe condition.
- Never operate the fixture with missing or damaged lens. Lens must be cleaned on regular basis.
- Entire fixture may become extremely hot. Do not touch hot lens or fixture body.
- Replace LED assembly only with correct wattage and type of power supply appropriate for LED assembly.
- All gaskets, o-rings and sealing surfaces must be kept clean during installation and service; failure to do this may cause an unsafe condition and void product warranty.

IMPORTANT LISTINGS AND CERTIFICATIONS

- Suitable for wet locations

Please refer to the low voltage design guide at www.tekaillumination.com/lvguide before installation for proper wire selection.



IMPORTANT SAFETY INFORMATION - READ, FOLLOW, AND SAVE THESE INSTALLATION INSTRUCTIONS

TEKA ILLUMINATION

40429 Brickyard Drive • Madera, CA 93636 • USA
559.438.5800 • FAX 559.438.5900
www.tekaillumination.com • info@tekaillumination.com

RELEASE DATE
9-12-17

DRAWING NUMBER
INS-001082

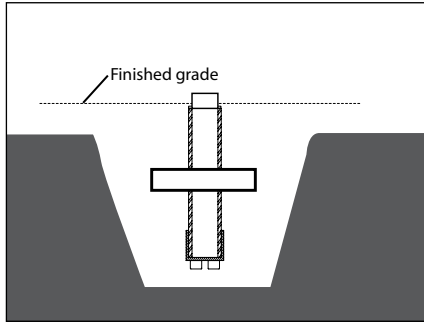
THIS DOCUMENT CONTAINS PROPRIETARY INFORMATION OF TEKA ILLUMINATION AND ITS RECEIPT OR POSSESSION DOES NOT CONVEY ANY RIGHTS TO REPRODUCE, DISCLOSE ITS CONTENTS, OR TO MANUFACTURE, USE OR SELL ANYTHING IT MAY DESCRIBE. REPRODUCTION, DISCLOSURE OR USE WITHOUT SPECIFIC WRITTEN AUTHORIZATION OF TEKA ILLUMINATION IS STRICTLY FORBIDDEN.



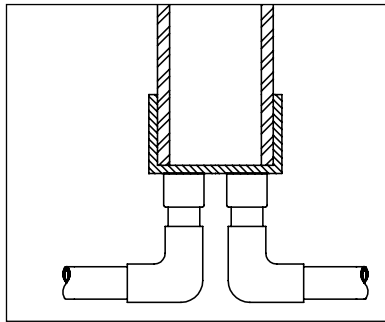
POWER PIPE™ SYSTEM

Power Pipe™ Junction Box

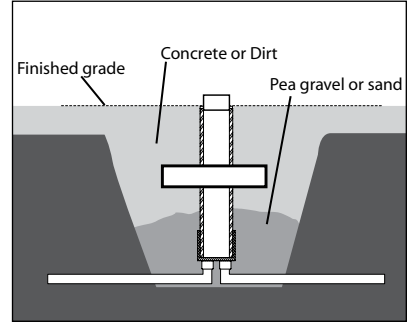
INSTALLATION OF POWER PIPE™ JUNCTION BOX



1. Excavate trench according to designed lighting plan. Dig hole a minimum of 24" deep and 10" wide to accommodate PowerPipe™ at desired fixture locations.

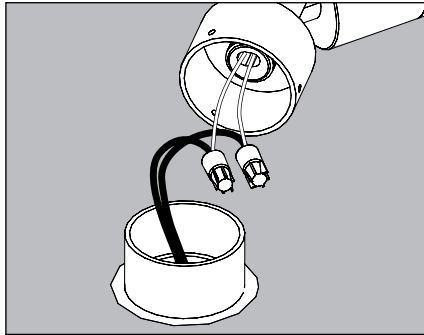


2. Connect conduit to the 1/2" conduit couplers attached to the bottom of the PowerPipe™. Place PowerPipe™ in hole.

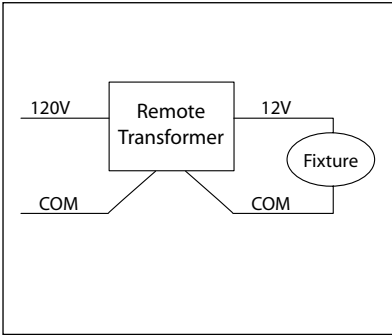


3. Back fill hole with soil and/or prep for concrete.
4. Pull branch circuit or low voltage wiring necessary for appropriate installation (By Others).

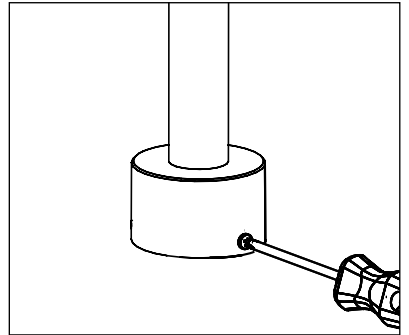
JUNCTION BOX WITH "B" CAP:



1. Make watertight connections from remote magnetic transformer to fixture leads using waterproof wire connectors. (By Others)

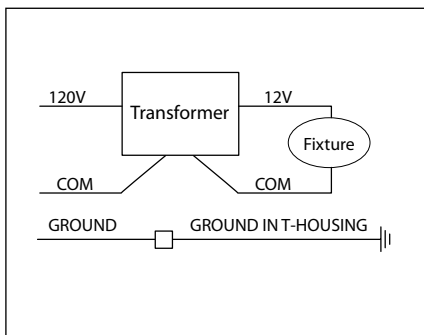


WIRING DIAGRAM

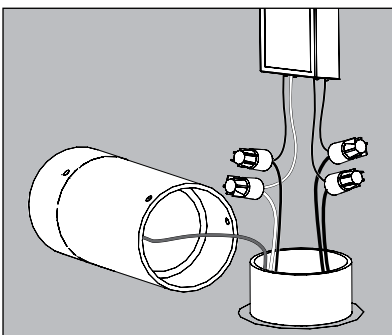


2. Attach B cap to Power Pipe™ with (3) #8-32 round head Phillips stainless steel screws at base to secure to Power Pipe™ with Phillips screwdriver.

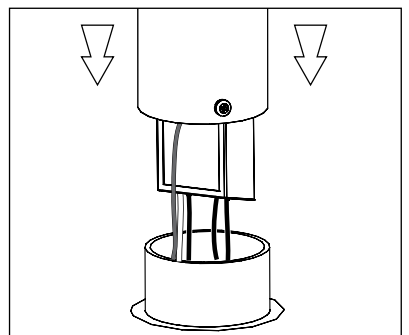
JUNCTION BOX WITH INTEGRAL TRANSFORMER T-HOUSING WITH "C" CAP:



1. Make watertight connections from primary branch circuit to primary side of transformer using waterproof wire connectors. (By Others). Attach secondary leads from transformer to fixture leads using waterproof wire connectors. (By Others). **See wiring diagram.**



2. Attach ground from branch circuit to screw in transformer T-housing. Place transformer and connectors into T-housing.



3. Attach C cap and transformer T-housing to Power Pipe™ with (3) #8-32 round head Phillips stainless steel screws at base of housing to secure to Power Pipe™ with Phillips screwdriver.

**IMPORTANT SAFETY INFORMATION LISTED ON REVERSE
READ, FOLLOW, AND SAVE ALL SAFETY AND INSTALLATION INSTRUCTIONS**

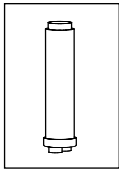
TEKA ILLUMINATION

40429 Brickyard Drive • Madera, CA 93636 • USA
559.438.5800 • FAX 559.438.5900
www.tekailumination.com • info@tekailumination.com

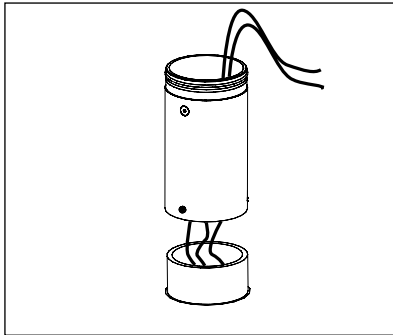
RELEASE DATE
9-12-17

DRAWING NUMBER
INS-001082

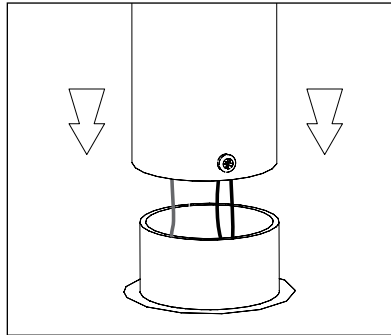
THIS DOCUMENT CONTAINS PROPRIETARY INFORMATION OF TEKA ILLUMINATION AND ITS RECEIPT OR POSSESSION DOES NOT CONVEY ANY RIGHTS TO REPRODUCE, DISCLOSE ITS CONTENTS, OR TO MANUFACTURE, USE OR SELL ANYTHING IT MAY DESCRIBE. REPRODUCTION, DISCLOSURE OR USE WITHOUT SPECIFIC WRITTEN AUTHORIZATION OF TEKA ILLUMINATION IS STRICTLY FORBIDDEN.



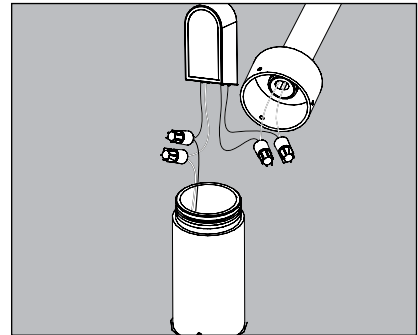
JUNCTION BOX WITH INTEGRAL TRANSFORMER AND "B" CAP:



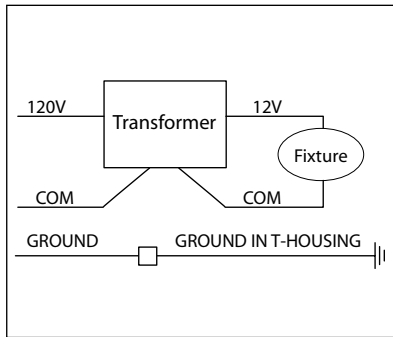
1. Pull primary branch circuit through transformer T-housing. Attach ground from branch circuit to screw in transformer T-housing.



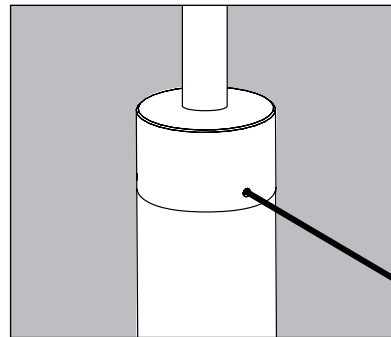
2. Attach transformer T-housing to Power Pipe™ with (3) #8-32 round head Phillips stainless steel screws at base of housing to secure to Power Pipe™ with Phillips screwdriver.



3. Make watertight connection from primary branch circuit to primary side of transformer using waterproof wire connectors. (By Others). Attach secondary leads from transformer to fixture leads using waterproof wire connectors. (By Others). **See wiring diagram.**



WIRING DIAGRAM



4. Place transformer and connectors into T-housing. Attach B cap to T-housing with (3) #8-32 stainless steel set screws using 5/64" Allen wrench.

**IMPORTANT SAFETY INFORMATION LISTED ON REVERSE
READ, FOLLOW, AND SAVE ALL SAFETY AND INSTALLATION INSTRUCTIONS**

TEKA ILLUMINATION	40429 Brickyard Drive • Madera, CA 93636 • USA 559.438.5800 • FAX 559.438.5900	RELEASE DATE	DRAWING NUMBER
	www.tekaillumination.com • info@tekaillumination.com	9-12-17	INS-001082

THIS DOCUMENT CONTAINS PROPRIETARY INFORMATION OF TEKA ILLUMINATION AND ITS RECEIPT OR POSSESSION DOES NOT CONVEY ANY RIGHTS TO REPRODUCE, DISCLOSE ITS CONTENTS, OR TO MANUFACTURE, USE OR SELL ANYTHING IT MAY DESCRIBE. REPRODUCTION, DISCLOSURE OR USE WITHOUT SPECIFIC WRITTEN AUTHORIZATION OF TEKA ILLUMINATION IS STRICTLY FORBIDDEN.