

DATE: _____ PROJECT: _____ TYPE: _____

CATALOG NUMBER LOGIC:



*120V only.

**Finish to match material.

***Stainless rings are provided in Natural (NAT) finish regardless of finish choice.

****Material and finish to match fixture.

*****Copper mesh supplied with brass fixture.

CATALOG NUMBER LOGIC

Example: APL - LED - L10 - SAP - A - CC1 - HS

MATERIAL

(Blank) - Aluminum B - Brass

SERIES

APL - Apollo Pillar Mount

SOURCE

LED - Line Voltage*

LED TYPE

L10 - 10W LED/2700K

L11 - 10W LED/3000K

L12 - 10W LED/4000K

L13 - 10W LED/2200-3500K (Warm Dimming)

FINISH (See page 2 for full-color swatches)

Standard Finishes (BZP, BZW, BLP, BLW, WHP, WHW, SAP, VER)

Premium Finish (ABP, AMG, AQW, BCM, BGE, BPP, CAP, CMG, CRM, HUG, NBP, OCP, RMG, SDS, SMG, TXF, WCP, WIR)

Also available in RAL Finishes

Brass Finishes (NAT, BP, GP)

RINGS

A - Aluminum**

B - Brass**

S - Stainless Steel***

CAP STYLE

CC1 - Cone Cop

CF1 - Flat Cap

ACCESSORIES (select one)

HS - House Side Shield****

MSH - Mesh Screen**/*****

OPTION

CLR - Clear Coat Protection (Available on NAT finish only)

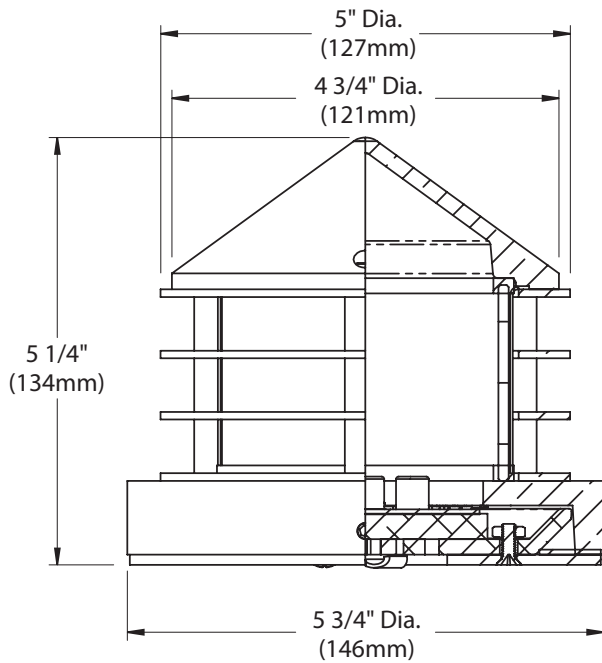
DATE:

PROJECT:

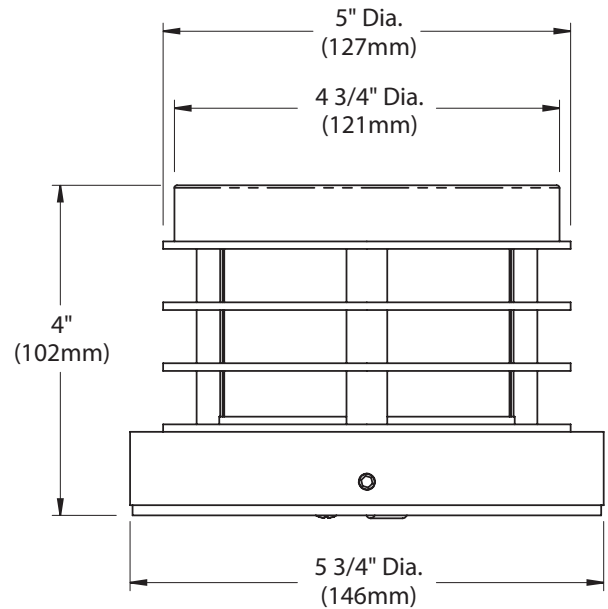
TYPE:

SIDE VIEW

(Shown with *Cone Cap Style CC1*)



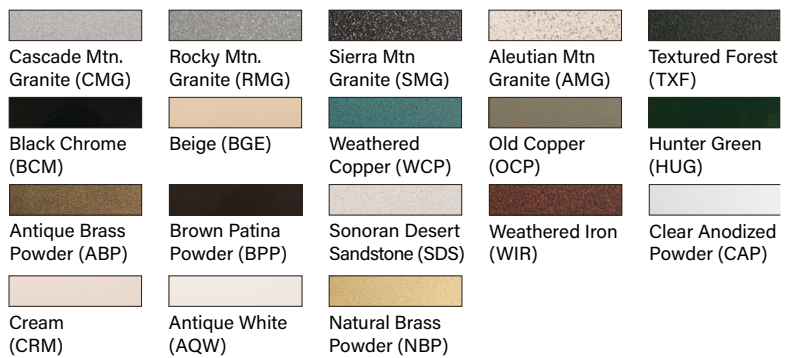
(Shown with *Flat Cap Style CF1*)



STANDARD FINISHES



PREMIUM FINISHES



[Click Here](#) to view larger, full-color swatches of all available finishes on our website.

DATE:	PROJECT:	TYPE:
-------	----------	-------

ACCESSORIES (Configure separately)

SPECIFICATIONS

ELECTRICAL	WATTAGE	10W LED
	LED	Tefzel® coated stranded wire, 18GA, 600V, 150° C rated and certified to UL 1659 standard.
PHYSICAL	WIRING	Integrated LED system with 'L' technology is scalable for field upgrade. Modular design with electrical quick disconnects permit field maintenance. High power, forward throw source complies with ANSI C78.377 binning requirements. LM-80 certified components. Line voltage input. 120V only. For dimming, use with standard electronic low voltage dimmers.
	MATERIALS	Brass: Constructed from brass. This enduring metal is inherently corrosion resistant. Aluminum: Constructed from Copper-Free aluminum (Type 6061-T6 and cast Aluminum 360).
	RING STACK	Solid aluminum with aluminum spacers; brass or stainless steel accent rings with solid brass spacers. Stainless steel rings available in natural (NAT) finish only.
	INSTALLATION	5" diameter, machined aluminum or brass mounting plate with black finish. For use with 4" octagonal junction box (not included).
	MESH SCREEN	Diffuses light in window. Not available with half shield. Aluminum Mesh supplied with Aluminum Fixture. Copper Mesh supplied with Brass Fixture. Finish to match Material.
	HOUSE SIDE SHIELD	Hand spun aluminum- 3003, copper- C101; eliminates light from half of the fixture. Material and Finish to match Fixture. Not available with Mesh Screen.
	LENS	3.5" dia. frosted acrylic lens.
	CAP	Top Cap available in cone or flat shape. Aluminum and bronze/brass.
	BASE	Cast aluminum-360, cast brass C836. high temperature silicone gasket provides water tight seal to lens assembly.
	HARDWARE	Tamper-resistant, stainless steel hardware with black oxide finish.
	FINISH	Brass: Natural (NAT): Brass components are sand blasted to expose the porous metal surface. Over time, and with exposure to the elements, the metals will naturally 'weather' resulting in a unique patina. Also available with hand-crafted metal finishes including brown patina (BP), green patina (GP), and polish (POL). Brass components are also available in powder coat finishes. Optional ceramic clear coat protection (brass components only) seals and protects underlying metals and protects against discoloration, fading, and wear. Highly impervious to chemicals, solvents, and graffiti. For use with natural (NAT) and polish (POL) finishes. Aluminum: StarGuard®, our exclusive RoHs compliant, 15 stage chromate-free process cleans and conversion coats aluminum components prior to application of Class 'A' TGIC polyester powder coating.
WARRANTY	5 year limited warranty.	
LISTINGS	UL tested to IESNA LM-79. UL Listed. Certified to CAN/CSA/ANSI Standards. RoHs compliant. Suitable for indoor or outdoor use. Suitable for use in wet locations. Additionally suitable for installation within 4' of the ground. IP66 Rated. Made in USA.	



DATA

DATE:

PROJECT:

TYPE:

TEKA LED #	LM79 DATA			LM70 DATA		OPTICAL DATA
	LUMENS (Delivered)	CCT (Typ.)	Input Watts (Typ.)	CR (Typ.)	BUG Rating	Minimum Rated Life (hrs.) 70% of initial lumens (L70)
L10	282	2700	10	90	B0-U3-G1	50,000
L11	282	3000	10	90	B0-U3-G1	50,000
L12	291	4000	10	90	B0-U3-G1	50,000
L13	285	2200-3500	10	90	B0-U3-G1	50,000

TEKA ILLUMINATION

MADE IN THE USA

559.438.5800 | INFO@TEKAILLUMINATION.COM | TEKAILLUMINATION.COM

THIS DOCUMENT CONTAINS PROPRIETARY INFORMATION OF TEKA ILLUMINATION AND ITS RECEIPT OR POSSESSION DOES NOT CONVEY ANY RIGHTS TO REPRODUCE, DISCLOSE ITS CONTENTS, OR TO MANUFACTURE, USE OR SELL ANYTHING IT MAY DESCRIBE. REPRODUCTION, DISCLOSURE OR USE WITHOUT SPECIFIC WRITTEN AUTHORIZATION OF TEKA ILLUMINATION IS STRICTLY FORBIDDEN.

APOLLO PILLAR (APL) - HORIZONTAL FOOTCANDLES

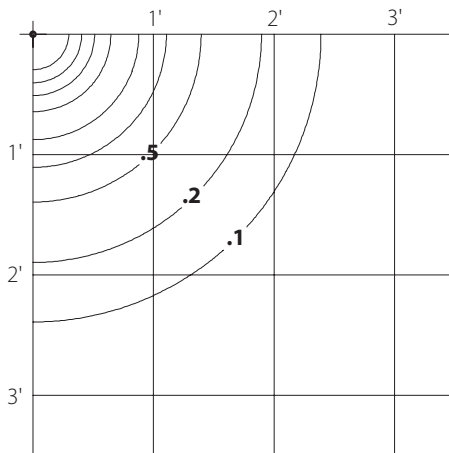
DATE:

PROJECT:

TYPE:

APL - LED - L12 (10W) - 4000K

Mounting Height = 0.04 Ft



HORIZONTAL FOOTCANDLES

Light Loss Factor = 1.00

Luminaire Lumens = 291

Maximum Calculated Value = 2717.94 Fc

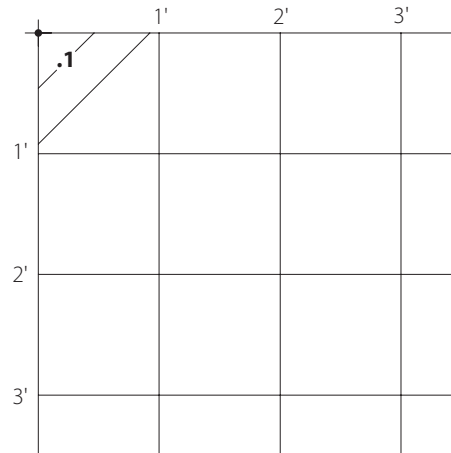
2.7K Multiplier = .97

3K Multiplier = .97

BUG Rating = B0 U3 G1

APL - LED - L12 (7W) - 4000K

Mounting Height = 3 Ft



HORIZONTAL FOOTCANDLES

Light Loss Factor = 1.00

Luminaire Lumens = 291

Maximum Calculated Value = 0.48 Fc

2.7K Multiplier = .97

3K Multiplier = .97

BUG Rating = B0 U3 G1