

DATE: _____ PROJECT: _____ TYPE: _____

CATALOG NUMBER LOGIC:



**Designed for use with 12 VAC. LED transformer.
Requires remote magnetic low voltage transformer.*

***Eliminates glow in upper window. Material and finish to match fixture. Available with SD5 or SD8 style only.*

CATALOG NUMBER LOGIC

Example: MBS - 24 - SD5 - LED - e70 - SAP - DT - HSR

MATERIAL

(Blank) - Aluminum C - Copper

SERIES

MBS - Miniature Beacon Stem

STEM LENGTH

6" (Standard), 12", 18", 24", 30", 36", 42", 48", 54", or 60"

STYLE

LS - Less Shade

SD5 - 5" Disk

SD8 - 8" Shade

SOURCE

LED - with Integral Driver*

LED TYPE

e70 - 3W LED/2700K e72 - 3W LED/4000K

e71 - 3W LED/3000K e73 - 3W LED/Amber

FINISH (See page 2 for full-color swatches)

Standard Finishes (BZP, BZW, BLP, BLW, WHP, WHW, SAP, VER)

Premium Finish (ABP, AMG, AQW, BCM, BGE, BPP, CAP, CMG, CRM, HUG, NBP, OCP, RMG, SDS, SMG, TXF, WCP, WIR)

Also available in RAL Finishes

Copper Finishes (NAT, BP, GP, POL)

ACCESSORIES

DT - Dark Top Shield**

OPTION

CLR - Clear Coat Protection (Available on NAT or POL finish only)

MOUNTING

SMJ - Surface mount Junction

BC7 - Fixed 3.5" Round Canopy

HSR - Hang Straight Round

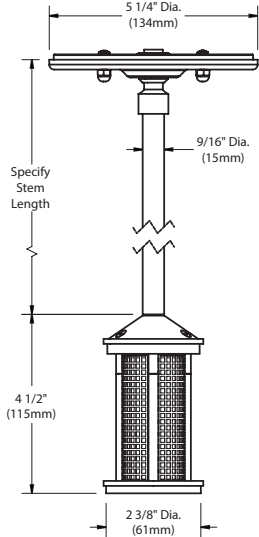
HSQ - Hang Straight Square

DATE:

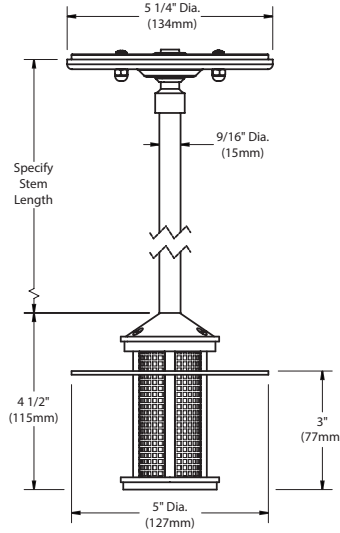
PROJECT:

TYPE:

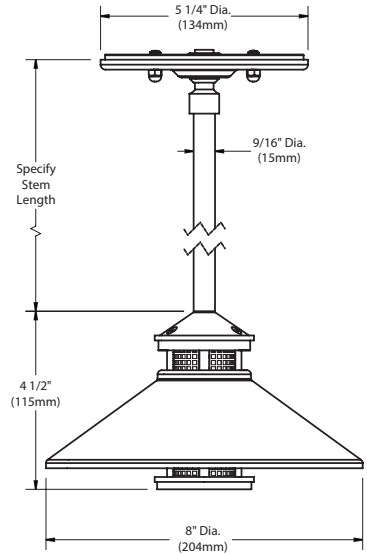
(LS Style shown with **Hang Straight Round Mount**)



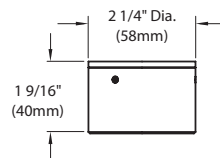
(SD5 Style shown with **5\"/>**



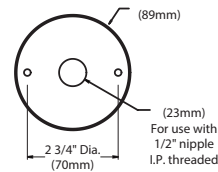
(SD8 Style shown with **8\"/>**



SURFACE MOUNT JUNCTION BOX



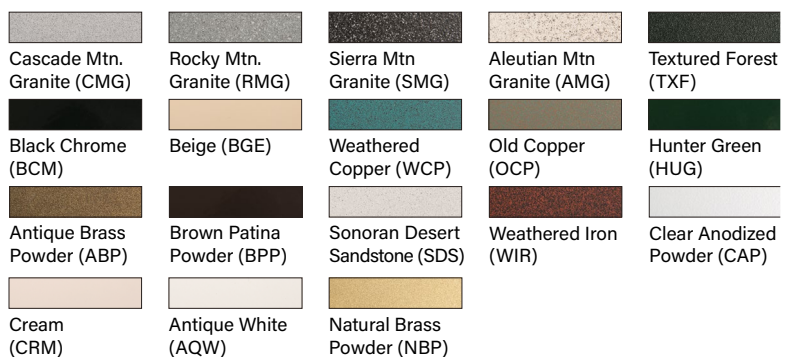
BC7 CANOPY



STANDARD FINISHES



PREMIUM FINISHES



[Click Here](#) to view larger, full-color swatches of all available finishes on our website.

DATE:	PROJECT:	TYPE:
-------	----------	-------

ACCESSORIES (Configure separately)

SPECIFICATIONS

ELECTRICAL	WATTAGE	3W LED	
	LED	Integrated solid state system with 'e' technology. High power, forward throw source complies with ANSI C78.377 binning requirements. Exceeds ENERGY STAR® lumen maintenance requirements. LM-80 certified components. Integral non-dimming driver. Minimum 50,000 hour rated life at 70% of initial lumens (L70). BKSSL technology provides long life, significant energy reduction and exceptional thermal management.	
	WIRING	Tefzel™ coated stranded wire, 18GA, 600V, 150°C rated and certified to UL 1659 standard.	
	REMOTE TRANSFORMER	For use with 12VAC LED remote transformer or magnetic transformers only. B-K Lighting cannot guarantee performance with third party manufacturers' transformers.	
PHYSICAL	MATERIALS	Copper: Constructed from copper and brass. These enduring metals are inherently corrosion resistant. Aluminum: Constructed from Copper-Free aluminum (Type 6061-T6).	
	DISK	5" disk available in 1/8" 6061-T6 Aluminum or 1/8" Copper.	
	SHADE	8" Shade Hand spun from high purity, solid copper plate Cu C101 or Aluminum 16GA Alu 3003-H14.	
	DARK TOP	Eliminates light from upper window of the fixture. 6063 Aluminum or 260 Brass. Available with SD5 or SD8 styles only.	
	INSTALLATION		SMJ option: Machined anchor base with 7/8" dia. hole and [2] 1/4" anchor bolt holes.
			BC7 option: 3-1/2" dia., machined canopy permits mounting to 3" octagonal junction box or 4" junction box with mud ring (not included).
			Hang Straight Option: 5" diameter, machined aluminum mounting plate with black finish. For use with 4" octagonal junction box (not included).
	CANOPY (FIXED)	BC7: 3.5" Round Fixed canopy 6061-T6 Aluminum or 360 Brass. SMJ: 2 1/4" Diameter canopy 6061-T6 Aluminum or 360 Brass.	
	HANG STRAIGHT CANOPY	Hang Straight mounting plate with 10° Brass swivel. 5-1/4" diameter canopy conceals mounting plate available in Round or Square. Made from Hand Spun 16GA-3003-H14 Aluminum or 16GA-C101 Copper.	
	LENS	1-1/2" dia. frosted acrylic lens and frosted acrylic downlight lens with High temperature silicone gasket provides sealed optical compartment.	
	STEM	1/2" O.D. Stem machined from heavy wall 1/4". Aluminum 6061-T6 or Brass.	
	CAP	Machined Cap made from 6061-T6 Aluminum or 360 Brass.	
HARDWARE	Tamper-resistant, stainless steel hardware with black oxide finish.		
FINISH	Copper and Brass: Natural (NAT): Copper and brass components are sand blasted to expose the porous metal surface. Over time, and with exposure to the elements, the metals will naturally 'weather' resulting in a unique patina. Copper and Brass are also available with hand-crafted metal finishes including brown patina (BP), green patina (GP), and polish (POL). Copper and brass components are also available in powder coat finishes. Optional ceramic clear coat protection (copper and brass components only) seals and protects underlying metals and protects against discoloration, fading, and wear. Highly impervious to chemicals, solvents, and graffiti. For use with natural (NAT) and polish (POL) finishes. Aluminum: StarGuard®, our exclusive RoHs compliant, 15 stage chromate-free process cleans and conversion coats aluminum components prior to application of Class 'A' TGIC polyester powder coating.		



DATE:

PROJECT:

TYPE:

SPECIFICATIONS

PHYSICAL

LISTINGS

UL tested to IESNA LM-79. UL Listed. Certified to CAN/CSA/ANSI Standards. RoHs compliant. Suitable for indoor or outdoor use. Suitable for use in wet locations. Additionally suitable for installation within 4' of the ground. IP66 Rated. Made in USA.



LAMP & DRIVER DATA

DATE: _____ PROJECT: _____ TYPE: _____

DRIVER DATA

Input Volts	InRush Current	Operating Current	Operation Ambient Temperature
12VAC/DC 50/60Hz	12A Max	700mA	-22°F to 194°F (-30°C to 90°C)

LM79 DATA

LM70 DATA

TEKA LED #	LUMENS (Delivered)	CCT	INPUT WATTS (Typ.)	CRI (Typ.)	Minimum Rated Life (hrs.) - 70% of initial lumens (L70)
e70	100	2700	3	80	50,000
e71	100	3000	3	80	50,000
e72	110	4000	3	80	50,000
e73	-	Amber (590nm)	3	80	50,000

MINIATURE BEACON STEM (MBS) - HORIZONTAL FOOTCANDLES

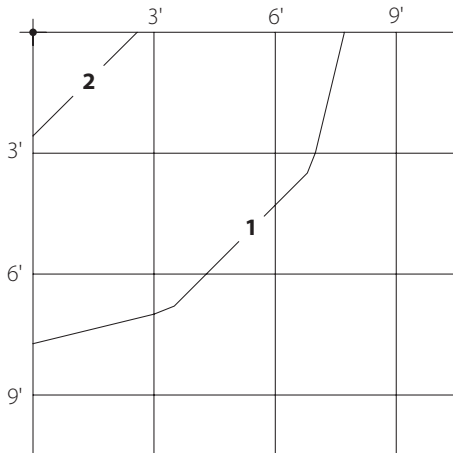
DATE:

PROJECT:

TYPE:

MBS - LED - e72 (3W) - 4000K

Mounting Height = 8 Ft, Style = LS



HORIZONTAL FOOTCANDLES

Light Loss Factor = 1.00

Luminaire Lumens = 134

Maximum Calculated Value = 0.39 Fc

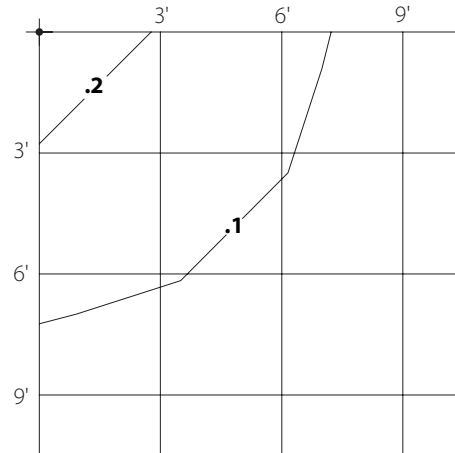
2.7K Multiplier = .91

3K Multiplier = .91

BUG Rating = B0 U2 G0

MBS - LED - e72 (3W) - 4000K

Mounting Height = 8 Ft, Style = SD5



HORIZONTAL FOOTCANDLES

Light Loss Factor = 1.00

Luminaire Lumens = 117

Maximum Calculated Value = 0.40 Fc

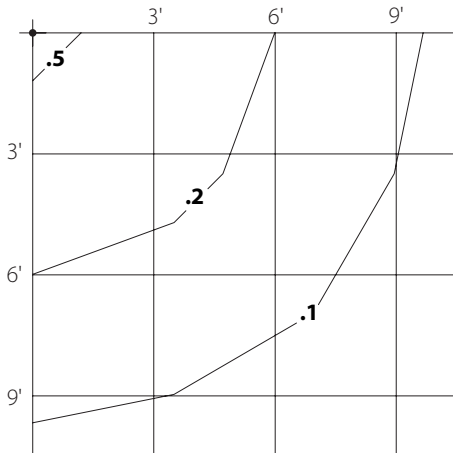
2.7K Multiplier = .91

3K Multiplier = .91

BUG Rating = B0 U2 G0

MBS - LED - e72 (3W) - 4000K

Mounting Height = 8 Ft, Style = SD8



HORIZONTAL FOOTCANDLES

Light Loss Factor = 1.00

Luminaire Lumens = 110

Maximum Calculated Value = 0.62 Fc

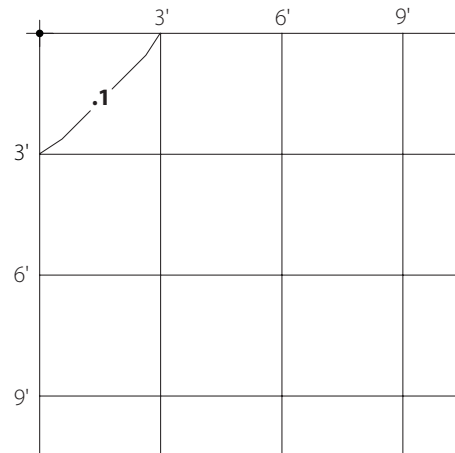
2.7K Multiplier = .91

3K Multiplier = .91

BUG Rating = B0 U1 G0

MBS - LED - e72 (3W) - 4000K

Mounting Height = 12 Ft, Style = LS



HORIZONTAL FOOTCANDLES

Light Loss Factor = 1.00

Luminaire Lumens = 134

Maximum Calculated Value = 0.17 Fc

2.7K Multiplier = .91

3K Multiplier = .91

BUG Rating = B0 U2 G0

TEKA ILLUMINATION

MADE IN THE USA

559.438.5800 | INFO@TEKAILLUMINATION.COM | TEKAILLUMINATION.COM

THIS DOCUMENT CONTAINS PROPRIETARY INFORMATION OF TEKA ILLUMINATION AND ITS RECEIPT OR POSSESSION DOES NOT CONVEY ANY RIGHTS TO REPRODUCE, DISCLOSE ITS CONTENTS, OR TO MANUFACTURE, USE OR SELL ANYTHING IT MAY DESCRIBE. REPRODUCTION, DISCLOSURE OR USE WITHOUT SPECIFIC WRITTEN AUTHORIZATION OF TEKA ILLUMINATION IS STRICTLY FORBIDDEN.

MINIATURE BEACON STEM (MBS) - HORIZONTAL FOOTCANDLES

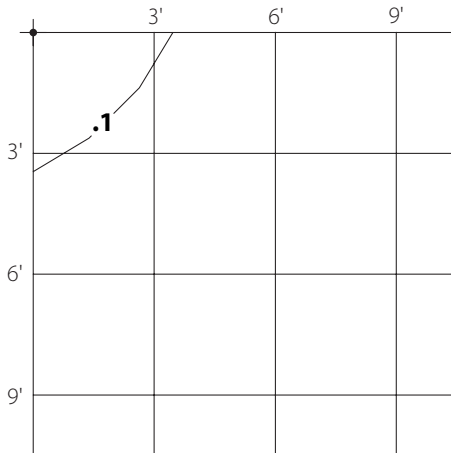
DATE:

PROJECT:

TYPE:

MBS - LED - e72 (3W) - 4000K

Mounting Height = 12 Ft, Style = SD5



HORIZONTAL FOOTCANDLES

Light Loss Factor = 1.00

Luminaire Lumens = 117

Maximum Calculated Value = 0.18 Fc

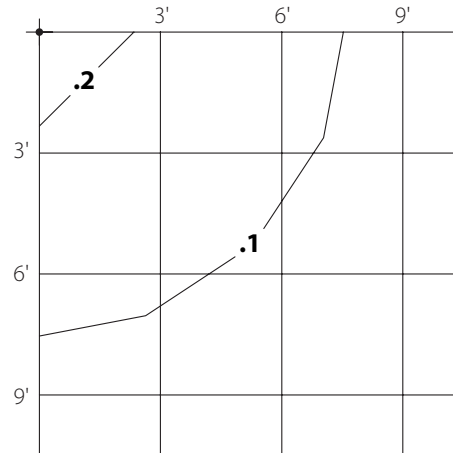
2.7K Multiplier = .91

3K Multiplier = .91

BUG Rating = B0 U2 G0

MBS - LED - e72 (3W) - 4000K

Mounting Height = 12 Ft, Style = SD8



HORIZONTAL FOOTCANDLES

Light Loss Factor = 1.00

Luminaire Lumens = 110

Maximum Calculated Value = 0.27 Fc

2.7K Multiplier = .91

3K Multiplier = .91

BUG Rating = B0 U1 G0