

DATE:	PROJECT:	TYPE:
-------	----------	-------

CATALOG NUMBER LOGIC:



*\*Designed for use with 12 VAC. LED transformer.  
Requires magnetic low voltage dimmer.*

**CATALOG NUMBER LOGIC**

Example: PRP - 24 - LED - e59 - BZP - PP-TRe20

**MATERIAL**

(Blank) - Aluminum C - Copper

**SERIES**

PRP - Projector Path Light

**STEM LENGTH**

12" (Standard), 18", 24", 30", 36", or 42"

**SOURCE**

LED - with Integral Dimming Driver (25W min. load when dimmed)\*\*

**LED TYPE**

e57 - 8W LED/2700K e58 - 8W LED/3000K e59 - 8W LED/4000K

**FINISH (See page 2 for full-color swatches)**

Standard Finishes (BZP, BZW, BLP, BLW, WHP, WHW, SAP, VER)

Premium Finish (ABP, AMG, AQW, BCM, BGE, BPP, CAP, CMG, CRM, HUG, NBP, OCP, RMG, SDS, SMG, TXF, WCP, WIR)

Also available in RAL Finishes

Copper Finishes (NAT, BP, GP, POL)

**OPTION**

CLR - Clear Coat Protection (Available on NAT or POL finish only)

**MOUNTING**

#30 - #30 Clamp on Blades (Includes additional 12" stem for direct burial)

PP18B - 18" Power Pipe Stake with 'B' Cap

PP-TRe20 - Power Pipe T with 18" Stake, TRe20 Electronic Transformer (105-300 VAC. 50/60 Hz. non-dimming)

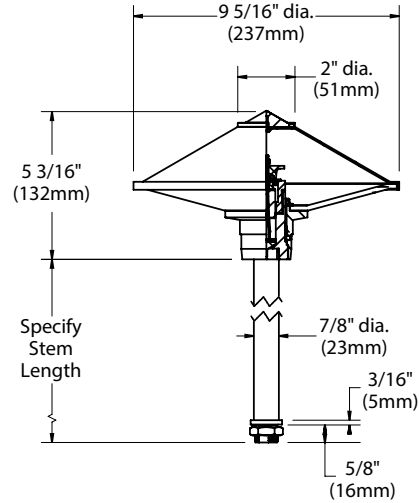
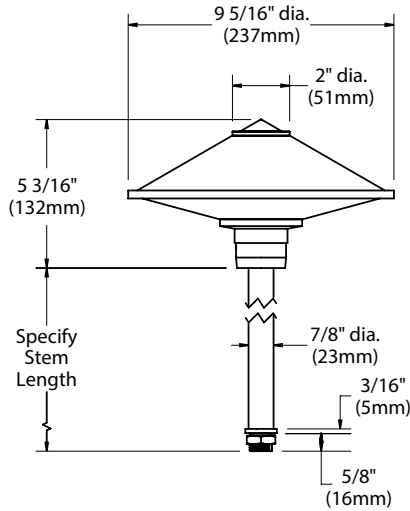
SF - Stability Flange (For use with power pipe)

DATE:

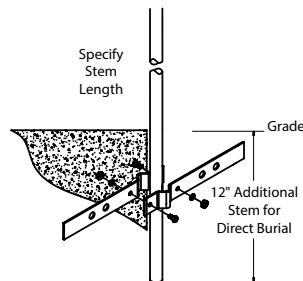
PROJECT:

TYPE:

**SIDE VIEW**



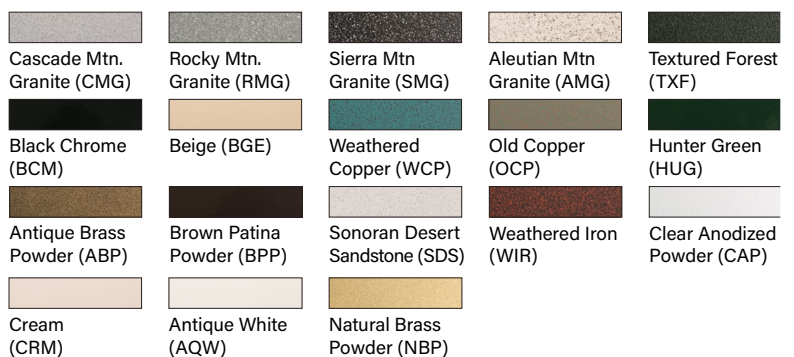
**#30 CLAMP ON BLADES (Optional)**



**STANDARD FINISHES**



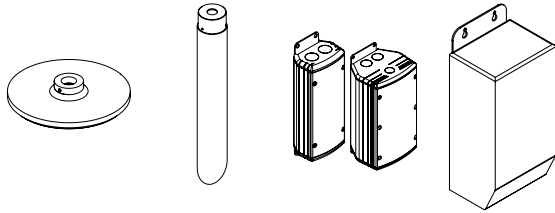
**PREMIUM FINISHES**



[Click Here](#) to view larger, full-color swatches of all available finishes on our website.

DATE:	PROJECT:	TYPE:
-------	----------	-------

ACCESSORIES (Configure separately)



Pillar Mount Canopy    Power Pipe    UPMRM    TR Series

## SPECIFICATIONS

ELECTRICAL	WATTAGE	8W LED
	LED	Integrated LED system with 'e' technology is scalable for field upgrade. Modular design with electrical quick disconnects permit field maintenance. High power, forward throw source complies with ANSI C78.377 binning requirements. Exceeds ENERGY STAR® lumen maintenance requirements. LM-80 certified components.
	WIRING	Integral dimming driver. Up to 50,000 hour rated life at 70% of initial lumens (L70). BKSSL technology provides long life, significant energy reduction and exceptional thermal management.
	TRANSFORMER	Black, 18/2 PVC coated wire. 30V 60° C rated and certified to UL 1659 standard. Leads extend 6" from fixture to facilitate live splice in suitable enclosure.  For use with 12VAC LED remote transformer or magnetic transformers only. B-K Lighting cannot guarantee performance with third party manufacturers' transformers.
PHYSICAL	MATERIALS	Copper: Constructed from copper and brass. These enduring metals are inherently corrosion resistant. Aluminum: Constructed from Copper-Free aluminum (Type 6061-T6).
	SHADE	Hand spun from high purity, solid copper or aluminum plate. High temperature, silicone 'O' Ring provides water tight seal.
	LENS	Injection molded 9-1/8" clear acrylic lens is factory adhered to shade and provides sealed optical compartment. Side emitting optic.
	STEM	Machined from heavy wall 7/8" O.D. copper or aluminum.
	INSTALLATION	Machined 1/2" NPT adaptor for mounting to suitable enclosure.  Optional #30 Clamp-on Blades include an additional 12" stem for direct burial and leads extending 60" from fixture to facilitate live splice in suitable enclosure. Available with Copper Fixture Only.
	HARDWARE	Tamper resistant, stainless steel hardware.
	FINISH	Copper and Brass: Natural (NAT): Copper and brass components are sand blasted to expose the porous metal surface. Over time, and with exposure to the elements, the metals will naturally 'weather' resulting in a unique patina.  Also available with hand-crafted metal finishes including brown patina (BP), green patina (GP), and polish (POL).  Copper and brass components are also available in powder coat finishes.  Optional ceramic clear coat protection (copper and brass components only) seals and protects underlying metals and protects against discoloration, fading, and wear. Highly impervious to chemicals, solvents, and graffiti. For use with natural (NAT) and polish (POL) finishes.  Aluminum: StarGuard®, our exclusive RoHs compliant, 15 stage chromate-free process cleans and conversion coats aluminum components prior to application of Class 'A' TGIC polyester powder coating.
WARRANTY	5 year limited warranty.	
LISTINGS	UL Listed. Certified to CAN/CSA/ANSI Standards. RoHS compliant. Suitable for indoor or outdoor use. Suitable for use in wet locations. Additionally suitable for installation within 4' of the ground. IP65 Rated. Made in USA.	



# LAMP & DRIVER DATA

DATE: PROJECT: TYPE:

## DRIVER DATA

Input Volts	InRush Current	Operating Current	Operation Ambient Temperature	Dimmer Type
12VAC/DC 50/60Hz	<250mA (non-dimmed)	700mA	-22°F to 194°F (-30°C to 90°C)	Magnetic Low Voltage

### LM79 DATA

### LM70 DATA

TEKA LED #	LUMENS (Delivered)	CCT	INPUT WATTS (Typ.)	CRI (Typ.)	Minimum Rated Life (hrs.) - 70% of initial lumens (L70)
e57	333	2700	8	80	50,000
<b>e58</b>	<b>333</b>	<b>3000</b>	<b>8</b>	<b>80</b>	<b>50,000</b>
e59	387	4000	8	72	50,000

# PROJECTOR PATH LIGHT (PRP) - HORIZONTAL FOOTCANDLES

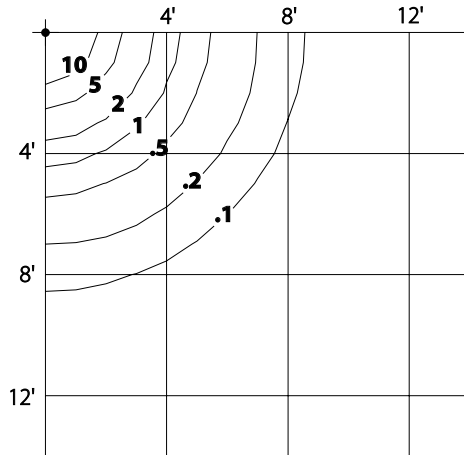
DATE:

PROJECT:

TYPE:

## PRP - LED - e59 (8W) - 4000K

Mounting Height = 2 Ft



### HORIZONTAL FOOTCANDLES

Light Loss Factor = 1.00

Luminaire Lumens = 387

Maximum Calculated Value = 27.65 Fc

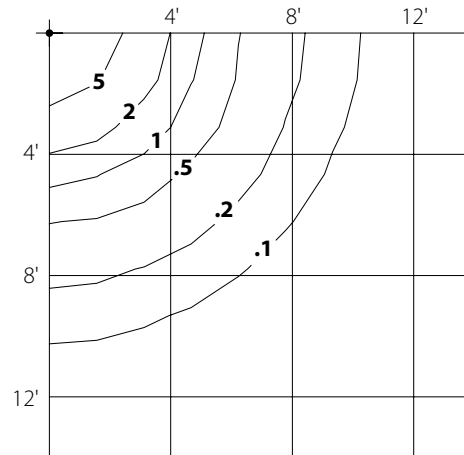
2.7K Multiplier = .86

3K Multiplier = .86

BUG Rating = B0 U1 G1

## PRP - LED - e59 (8W) - 4000K

Mounting Height = 3 Ft



### HORIZONTAL FOOTCANDLES

Light Loss Factor = 1.00

Luminaire Lumens = 387

Maximum Calculated Value = 12.29 Fc

2.7K Multiplier = .86

3K Multiplier = .86

BUG Rating = B0 U1 G1