

DATE: _____ PROJECT: _____ TYPE: _____

CATALOG NUMBER LOGIC:



*120V only.

**Finish to match fixture.

***Stainless rings are provided in Natural (NAT) finish regardless of finish choice.

****Eliminates glow in supper window. Material and finish to match fixture.

*****Material and finish to match fixture.

CATALOG NUMBER LOGIC

Example: BSM - 18 - SD24 - L18 - BZW - A - MSH - HSR

MATERIAL

(Blank) - Aluminum C - Copper

SERIES

BSM - Beacon Stem Mount

STEM LENGTH

6" (Standard), 12", 18", 24", 30", 36", 42", 48", 54", or 60"

STYLE

SD12 - 12" Shade

SD15 - 15" Shade

SD24 - 24" Shade

SD10 - 10" Disk

SD17 - 17" Disk

SOURCE

LED - Line Voltage*

LED TYPE

L10 - 10W LED/2700K

L11 - 10W LED/3000K

L12 - 10W LED/4000K

L13 - 10W LED 2200K-3500K (warm dimming)

L15 - 20W LED/2700K

L16 - 20W LED/3000K

L17 - 20W LED/4000K

L18 - 20W LED/2200-3500K (warm dimming)

FINISH (See page 2 for full-color swatches)

Standard Finishes (BZP, BZW, BLP, BLW, WHP, WHW, SAP, VER)

Premium Finish (ABP, AMG, AQW, BCM, BGE, BPP, CAP, CMG, CRM, HUG, NBP, OCP, RMG, SDS, SMG, TXF, WCP, WIR)

Also available in RAL Finishes

Copper Finishes (NAT, BP, GP)

RINGS

A - Aluminum**

B - Brass**

S - Stainless Steel***

ACCESSORIES (select one)

DT - Dark Top Shield****

MSH - Mesh Screen*****

OPTION

CLR - Clear Coat Protection (Available on NAT finish only)

MOUNTING

HRS - Hang Straight Round

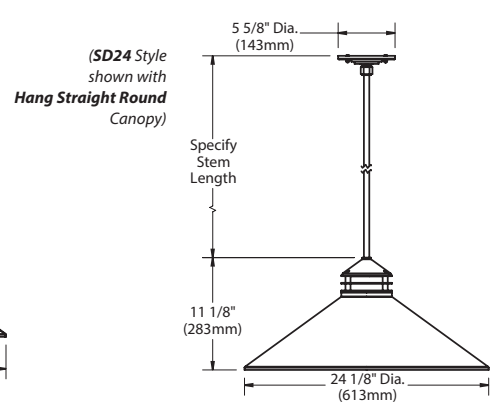
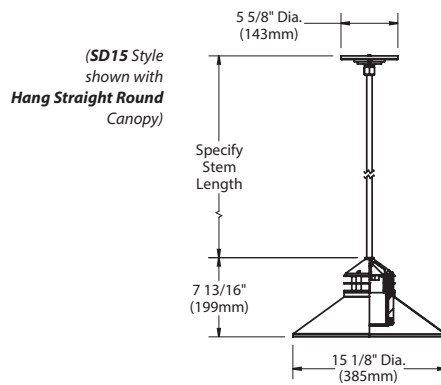
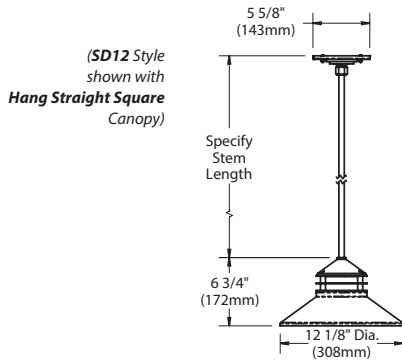
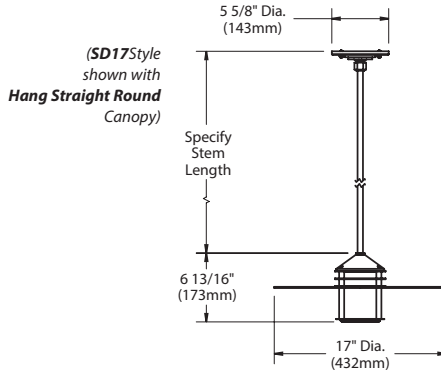
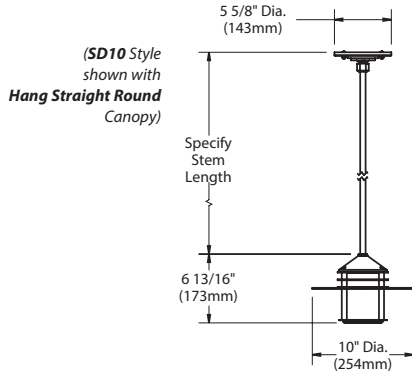
HSQ - Hang Straight Square

DATE:

PROJECT:

TYPE:

SIDE VIEW



STANDARD FINISHES



PREMIUM FINISHES



[Click Here](#) to view larger, full-color swatches of all available finishes on our website.

DATE:	PROJECT:	TYPE:
-------	----------	-------

ACCESSORIES (Configure separately)

SPECIFICATIONS

ELECTRICAL	WATTAGE	10W or 20W LED
	LED	Integrated solid state system with 'L' technology is scalable for field upgrade. Modular design with electrical quick disconnects permit field maintenance available in 27000k, 3000k or 4000k specify 10W or 20W. Warm Dim LED 2200K-3500K specify 10W or 20W. Line voltage input 120V only. Compatible with electronic low voltage dimmers only.
	WIRING	Tefzel® coated wire, 18AWG, 600V, 210° C rated and certified to UL 1659 standard.
PHYSICAL	MATERIALS	Copper and Brass: Constructed from copper and brass. These enduring metals are inherently corrosion resistant. Aluminum: Constructed from Copper-Free aluminum (Type 6061-T6).
	SHADE	Hand spun from 16GA 3003-H14 aluminum or 16GA C101 copper Specify 12", 15" or 24" diameter.
	DISK	Specify 10" or 17" dia. disk made from 1/8" 6061-T6 Aluminum or 1/8" Copper.
	BODY	360 Aluminum Cast or C836 Red Brass cast. High temperature, silicone gasket provides water tight seal to shade assembly.
	LENS	3-1/2" dia. frosted acrylic lens with frosted acrylic downlight lens provides sealed optical compartment.
	STEM	Fully Machined 1/2" Dia. Stem Schedule -40 6061-T6 Aluminum pipe or Schedule -40 Brass pipe. Available in configurable lengths 6" Minimum and 60" maximum overall.
	HANG STRAIGHT CANOPY	4" Round Hang Straight mounting plate with 20° swivel angel. Canopy conceals mounting plate available in 5-5/8" Round or 5-5/8"x5-5/8" Square. Made from Hand Spun 16GA-3003-H14 Aluminum or 16GA-C101 Copper.
	RING STACK	Solid aluminum accent rings with solid aluminum spacers; brass or stainless steel accent rings with solid brass spacers.
	INSTATTATION	4" diameter, machined aluminum mounting plate with black finish. For use with 4" octagonal junction box.
	MESH SCREEN	Diffuses light in window. Finish to match fixture.
	DARK TOP	Eliminates glow in window above shade.
	FINISH	Copper and Brass: Natural (NAT): Copper and brass components are sand blasted to expose the porous metal surface. Over time, and with exposure to the elements, the metals will naturally 'weather' resulting in a unique patina. Also available with hand-crafted metal finishes including brown patina (BP), green patina (GP), and polish (POL). Copper and brass components are also available in powder coat finishes. Optional ceramic clear coat protection (copper and brass components only) seals and protects underlying metals and protects against discoloration, fading, and wear. Highly impervious to chemicals, solvents, and graffiti. For use with natural (NAT) and polish (POL) finishes. Aluminum: StarGuard®, our exclusive RoHs compliant, 15 stage chromate-free process cleans and conversion coats aluminum components prior to application of Class 'A' TGIC polyester powder coating.
	WARRANTY	5 year limited warranty.
LISTINGS	UL tested to IESNA LM-79. UL Listed. Certified to CAN/CSA/ANSI Standards. RoHs compliant. Suitable for indoor or outdoor use. Suitable for use in wet locations. Additionally suitable for installation within 4' of the ground. IP65 Rated. Made in USA.	



DATA

DATE:

PROJECT:

TYPE:

LM79 DATA

LM70 DATA

TEKA LED #	LUMENS (Delivered)	CCT	INPUT WATTS (Typ.)	CRI (Typ.)	BUG RATING	Minimum Rated Life (hrs.) - 70% of initial lumens (L70)
L10	433	2700	10	90	B0-U3-G1	50,000
L11	459	3000	10	90	B0-U3-G1	50,000
L12	504	4000	10	90	B0-U3-G1	50,000
L13	494	2200-3500 warm dim	10	90	B0-U3-G1	50,000
L15	824	2700	20	90	B0-U3-G1	50,000
L16	871	3000	20	90	B0-U3-G1	50,000
L17	959	4000	20	90	B0-U3-G1	50,000
L18	940	2200-3500 warm dim	20	90	B0-U3-G1	50,000

BEACON STEM MOUNT (BSM) - HORIZONTAL FOOTCANDLES

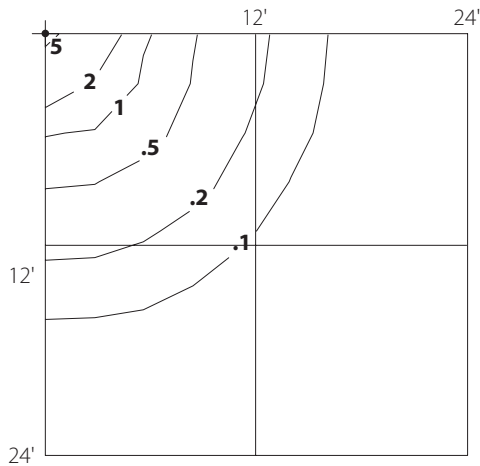
DATE:

PROJECT:

TYPE:

BSM - LED - L17 (20W) - 4000K

Mounting Height = 8 Ft, Style = SD10

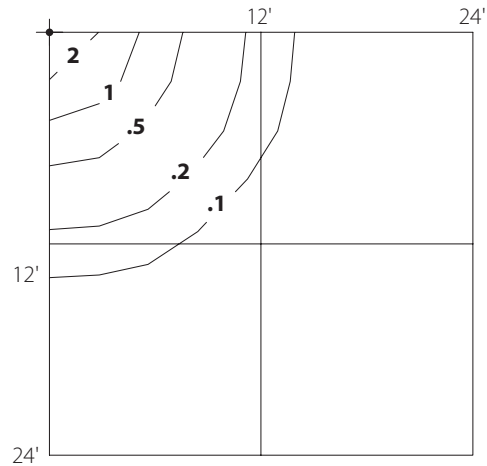


HORIZONTAL FOOTCANDLES

Light Loss Factor = 1.00
 Luminaire Lumens = 957
 Maximum Calculated Value = 5.64 Fc
 2.7K Multiplier = .86
 3K Multiplier = .91
 BUG Rating = B0 U3 G1
 10W Multiplier = .53

BSM - LED - L12 (10W) - 4000K

Mounting Height = 8 Ft, Style = SD12

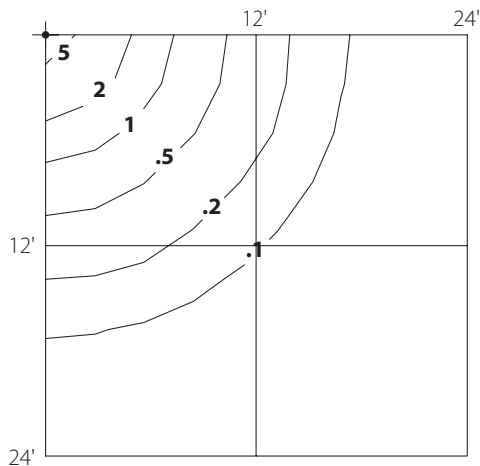


HORIZONTAL FOOTCANDLES

Light Loss Factor = 1.00
 Luminaire Lumens = 504
 Maximum Calculated Value = 3.53 Fc
 2.7K Multiplier = .86
 3K Multiplier = .91
 BUG Rating = B0 U3 G1

BSM - LED - L17 (20W) - 4000K

Mounting Height = 8 Ft, Style = SD12

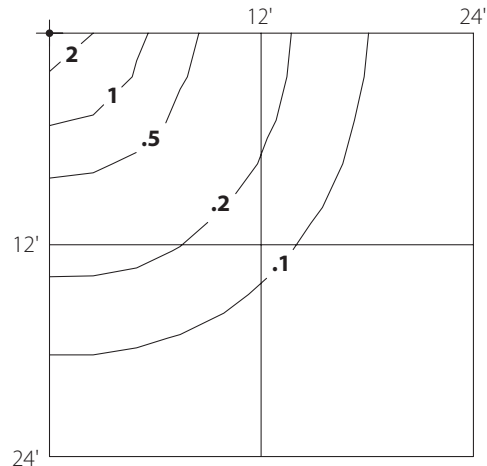


HORIZONTAL FOOTCANDLES

Light Loss Factor = 1.00
 Luminaire Lumens = 954
 Maximum Calculated Value = 6.83 Fc
 2.7K Multiplier = .86
 3K Multiplier = .91
 BUG Rating = B0 U3 G1
 10W Multiplier = .53

BSM - LED - L17 (20W) - 4000K

Mounting Height = 12 Ft, Style = SD10



HORIZONTAL FOOTCANDLES

Light Loss Factor = 1.00
 Luminaire Lumens = 957
 Maximum Calculated Value = 2.51 Fc
 2.7K Multiplier = .86
 3K Multiplier = .91
 BUG Rating = B0 U3 G1
 10W Multiplier = .53

DATA

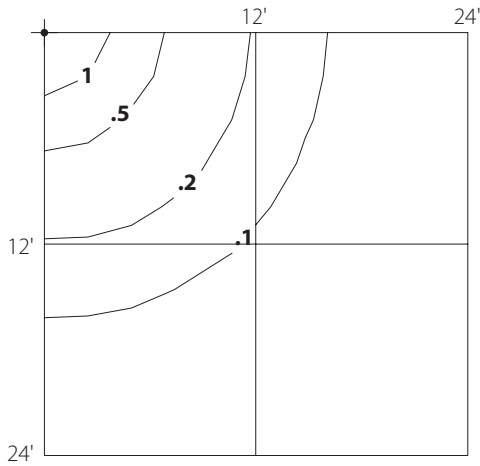
DATE:

PROJECT:

TYPE:

BSM - LED - L12 (10W) - 4000K

Mounting Height = 12 Ft, Style = SD12



HORIZONTAL FOOTCANDLES

Light Loss Factor = 1.00

Luminaire Lumens = 504

Maximum Calculated Value = 1.57 Fc

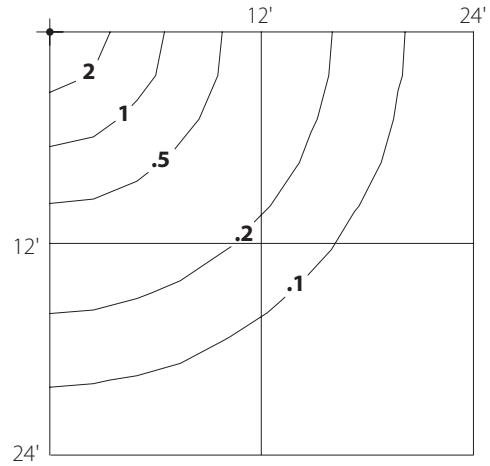
2.7K Multiplier = .86

3K Multiplier = .91

BUG Rating = B0 U3 G1

BSM - LED - L17 (20W) - 4000K

Mounting Height = 12 Ft, Style = SD12



HORIZONTAL FOOTCANDLES

Light Loss Factor = 1.00

Luminaire Lumens = 954

Maximum Calculated Value = 3.03 Fc

2.7K Multiplier = .86

3K Multiplier = .91

BUG Rating = B0 U3 G1

10W Multiplier = .53