

DATE: _____ PROJECT: _____ TYPE: _____

CATALOG NUMBER LOGIC:



**Designed for use with 12 VAC. LED transformer.
Requires magnetic low voltage dimmer.*

CATALOG NUMBER LOGIC

Example: CAF - 6 - LED - e64 - NSP - A9 - SAP - 12 - 11 - A - 360TK

MATERIAL

(Blank) - Aluminum C - Copper

SERIES

CAF - Cardinal Floodlight

STEM LENGTH (specify inches)

3", 6", 12", 18", 24", or 30"

SOURCE

LED - with Integral Dimming Driver (25W min. load when dimmed)*

LED TYPE

e64 - 8W LED/2700K e66 - 8W LED/4000K
e65 - 8W LED/3000K e67 - 8W LED/Amber

OPTICS

NSP - Narrow Spot (13°) MFL - Medium Flood (23°)
SP - Spot (15°) WFL - Wide Flood (31°)

ADJUST-E-LUME® (choose output intensity)

A9 (Standard), A8, A7, A6, A5, A4, A3, A2, A1

FINISH (See page 2 for full-color swatches)

Standard Finishes (BZP, BZW, BLP, BLW, WHP, WHW, SAP, VER)

Premium Finish (ABP, AMG, AQW, BCM, BGE, BPP, CAP, CMG, CRM, HUG, NBP, OCP, RMG, SDS, SMG, TXF, WCP, WIR)

Also available in RAL Finishes

Copper Finishes (NAT, BP, GP)

LENS TYPE

12 - Soft Focus 13 - Rectilinear

SHIELDING

11 - Honeycomb Baffle

CAP STYLE

A - 45°
B - 90°
C - Flush
D - 45° Less Weephole (Interior Use Only)
E - 90° Less Weephole (Interior Use Only)

KNUCKLE STYLE

360SL - 360SL Knuckle Mounting System
360TK - 360 TEKA Exclusive Rotational Knuckle Mounting System

OPTION

CLR - Clear Coat Protection (Available on NAT finish only)

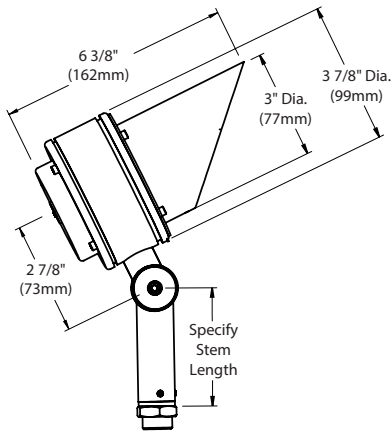
DATE:

PROJECT:

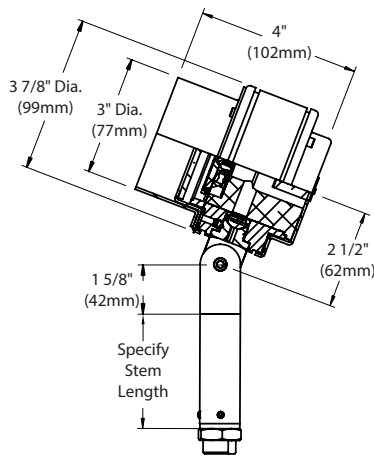
TYPE:

SIDE VIEW

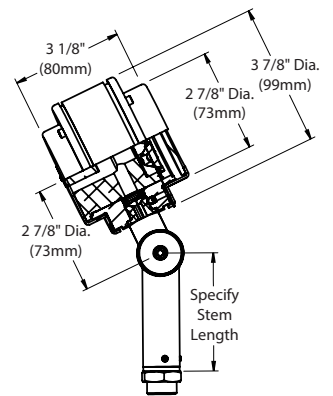
(Shown with 360TK and Cap Styles A/D - 45°)



(Shown with 360SL and Cap Styles B/E - 90°)



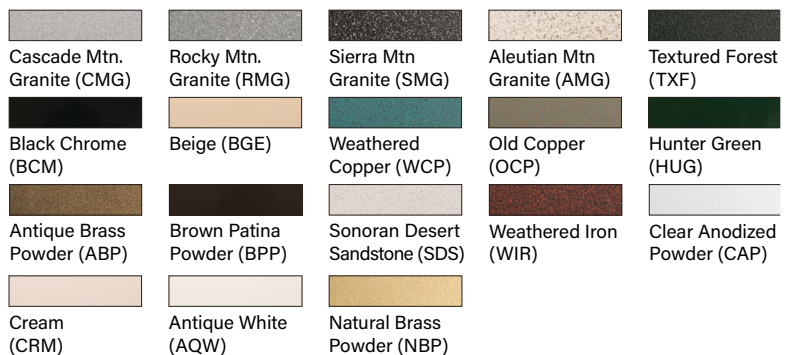
(Shown with Cap Style C - Flush)



STANDARD FINISHES



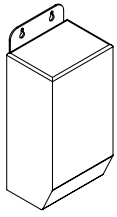
PREMIUM FINISHES



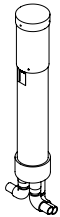
[Click Here](#) to view larger, full-color swatches of all available finishes on our website.

DATE: _____ PROJECT: _____ TYPE: _____

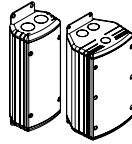
ACCESSORIES (Configure separately)



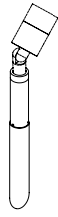
TR Series



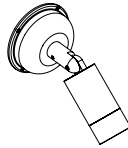
Power Pipe



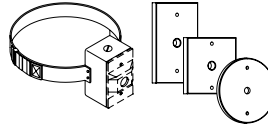
UPMRM



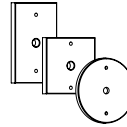
Power Pipe



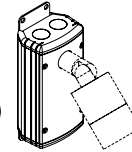
Power Canopy



Tree Strap



Canopies



UPM

SPECIFICATIONS

ELECTRICAL	WATTAGE	8W LED
	LED	Integrated LED system with 'e' technology is scalable for field upgrade. Modular design with electrical quick disconnects permit field maintenance. High power, forward throw source complies with ANSI C78.377 binning requirements. Exceeds ENERGY STAR® lumen maintenance requirements. LM-80 certified components.
	DIMMING	Integral, constant current driver. 12VAC/VDC input. 50/60Hz. Proprietary input control scheme achieves power factor correction and eliminates inrush current. Output, overvoltage, open-circuit, and short circuit protected. Inrush current limited to <250mA (non-dimming). Conforms to Safety Std. C22.2 No. 250.13-12.
	ADJUST-E-LUME	Line voltage dimmable via magnetic low voltage dimmer. For use with low voltage dimmer with dedicated neutral conductor. For purposes of dimming: Remote magnetic transformer with LED Power of 'e' technology loads should be loaded to 25% of the transformer VA (watts) rated value.
	WIRING	Integral electronics allows dynamic lumen response at the individual fixture. Indexed (100% to 25% nom.) lumen output. Maintains output at desired level or may be changed as conditions require. Specify factory preset output intensity.
	REMOTE TRANSFORMER	Black, 18/2 coated wire. 150V 60° C rated and certified to UL 1659 standard. Leads extend 6" from fixture to facilitate live splice in suitable enclosure.
PHYSICAL	MATERIALS	For use with 12VAC LED remote transformer or magnetic transformers only. B-K Lighting cannot guarantee performance with third party manufacturers' transformers.
	BODY	Copper and Brass: Constructed from copper and brass. These enduring metals are inherently corrosion resistant. Aluminum: Constructed from Copper-Free aluminum (Type 6061-T6).
	CAP	Hand spun from high purity, 14GA (.0641") ASTM 3003-H14 Aluminum or 16GA (.0647") ASTM C101 Copper.
	LENS	Hand spun from high purity, 14GA (.0641") ASTM 3003- H14 Aluminum or 16GA (.0647") ASTM C101 Copper. Cap alignment lock screws allow for precision adjustment without the redundant opening of the fixture. Available in 45°, 90°, 45° less weep hole and 90° less weep hole.
	STEM	Shock resistant, tempered, glass lens is factory adhered to fixture cap and provides hermetically sealed optical compartment.
	OPTICS	Machined from heavy wall 1" O.D. 6061-T6 extruded aluminum tube or 330 extruded brass tube.
	HARDWARE	Interchangeable OPTIKIT™ modules permit field changes to optical distribution. Color-coded for easy reference: Narrow Spot (NSP) = Red. Spot (SP) = Green. Medium Flood (MFL) = Yellow. Wide Flood (WFL) = Blue.
	FINISH	Tamper-resistant, stainless steel hardware. LOCK™ aiming screw is additionally black oxide treated for additional corrosion resistance.
		Copper and Brass: Natural (NAT): Copper and brass components are sand blasted to expose the porous metal surface. Over time, and with exposure to the elements, the metals will naturally 'weather' resulting in a unique patina. Also available with hand-crafted metal finishes including brown patina (BP), green patina (GP), and polish (POL). Copper and brass components are also available in powder coat finishes. Optional ceramic clear coat protection (copper and brass components only) seals and protects underlying metals and protects against discoloration, fading, and wear. Highly impervious to chemicals, solvents, and graffiti. For use with natural (NAT) finish.



DATE:

PROJECT:

TYPE:

SPECIFICATIONS

PHYSICAL

FINISH

WARRANTY

LISTINGS

Aluminum: StarGuard®, our exclusive RoHs compliant, 15 stage chromate-free process cleans and conversion coats aluminum components prior to application of Class 'A' TGIC polyester powder coating.

5 year limited warranty.

UL tested to IESNA LM-79. UL Listed. Certified to CAN/CSA/ANSI Standards. RoHs compliant. Suitable for indoor or outdoor use. Suitable for use in wet locations. Additionally suitable for installation within 4' of the ground. IP66 Rated. Made in USA.



LAMP & DRIVER DATA

DATE: _____ PROJECT: _____ TYPE: _____

DRIVER DATA

Input Volts	InRush Current	Operating	Dimmable	Operation Ambient Temperature
12VAC/DC 50/60Hz	<250mA (non-dimmed)	700mA	Magnetic Low Voltage Dimmer	-22°F - 194°F (-30°C - 90°C)

LM79 DATA			LM70 DATA		OPTICAL DATA		
TEKA LED #	CCT (Typ.)	CRI (Typ.)	Input Watts (Typ.)	Minimum Rated Life (hrs.) 70% of initial lumens (L70)	Angle	CBCP	Delivered Lumens
e64	2700K	80	8	50,000	13°	6838	486
e64	2700K	80	8	50,000	15°	4016	453
e64	2700K	80	8	50,000	23°	2440	459
e64	2700K	80	8	50,000	31°	933	418
e65	3000K	80	8	50,000	13°	7019	499
e65	3000K	80	8	50,000	15°	4122	465
e65	3000K	80	8	50,000	23°	2504	471
e65	3000K	80	8	50,000	31°	958	429
e66	4000K	80	8	50,000	13°	7245	515
e66	4000K	80	8	50,000	15°	4255	480
e66	4000K	80	8	50,000	23°	2585	486
e66	4000K	80	8	50,000	31°	989	443
e74	Amber (590nm)	~	8	50,000	~	~	~

OPTICS

Optic	Angle	Visual Indicator
NSP - Narrow Spot	13°	Red
SP - Spot	15°	Green
MFL - Medium Flood	23°	Yellow
WFL - Wide Flood	31°	Blue

INTEGRATED LED SYSTEM

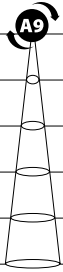
DATE:

PROJECT:

TYPE:

NARROW SPOT : 13°

Distance	Beam Dia.	Footcandles		
		e64 2700K	e65 3000K	e66 4000K
4'	1'	428	439	453
8'	2'	107	110	113
12'	3'	48	49	50
16'	4'	27	27	28
20'	5'	17	18	18



If using No. 11 Honeycomb Baffle, multiply footcandle values by .80.



NOTE:
Adjust-e-Lume® dial is set to the factory standard: 9

SPOT : 15°

Distance	Beam Dia.	Footcandles		
		e64 2700K	e65 3000K	e66 4000K
4'	1'	245	252	260
8'	2'	61	63	65
12'	4'	27	28	29
16'	5'	15	16	16
20'	6'	10	10	10



If using No. 11 Honeycomb Baffle, multiply footcandle values by .80.

MEDIUM FLOOD : 23°

Distance	Beam Dia.	Footcandles		
		e64 2700K	e65 3000K	e66 4000K
4'	2'	153	157	162
8'	3'	38	39	40
12'	5'	17	17	18
16'	6'	10	10	10
20'	7'	6	6	6



If using No. 11 Honeycomb Baffle, multiply footcandle values by .80.

WIDE FLOOD : 31°

Distance	Beam Dia.	Footcandles		
		e64 2700K	e65 3000K	e66 4000K
4'	3'	58	60	62
8'	5'	15	15	16
12'	8'	7	7	7
16'	11'	4	4	4
20'	13'	2	2	2



If using No. 11 Honeycomb Baffle, multiply footcandle values by .80.

TEKA ILLUMINATION

MADE IN THE USA

559.438.5800 | INFO@TEKAILLUMINATION.COM | TEKAILLUMINATION.COM

THIS DOCUMENT CONTAINS PROPRIETARY INFORMATION OF TEKA ILLUMINATION AND ITS RECEIPT OR POSSESSION DOES NOT CONVEY ANY RIGHTS TO REPRODUCE, DISCLOSE ITS CONTENTS, OR TO MANUFACTURE, USE OR SELL ANYTHING IT MAY DESCRIBE. REPRODUCTION, DISCLOSURE OR USE WITHOUT SPECIFIC WRITTEN AUTHORIZATION OF TEKA ILLUMINATION IS STRICTLY FORBIDDEN.