

LARGE BEACON WALL MOUNT

IP65 RATED

DATE: _____ PROJECT: _____ TYPE: _____

CATALOG NUMBER LOGIC:



Driver Housing Required. Configure and Price Separately.

**Stainless rings are provided in Natural (NAT) regardless of finish choice.*

***Eliminates glow in supper window. Material and finish to match fixture.*

****Material and finish to match fixture.*

*****Only available for Copper Material.*

CATALOG NUMBER LOGIC

Example: LBW - SD27 - LED - x44 - BW - A - WHP - MSH

MATERIAL

(Blank) - Aluminum C - Copper

SERIES

LBW - Large Beacon Wall Mount

STYLE

SD27 - 27" Shade

SOURCE

LED - Chip on Board Technology

LED TYPE

x43 - 34W LED/2700K x46 - 42W LED/2700K x49 - 57W LED/2700K

x44 - 34W LED/3000K x47 - 42W LED/3000K x50 - 57W LED/3000K

x45 - 34W LED/4000K x48 - 42W LED/4000K x51 - 57W LED/4000K

OPTIC

BW - Batwing

FINISH (See page 2 for full-color swatches)

Standard Finishes (BZP, BZW, BLP, BLW, WHP, WHW, SAP, VER)

Premium Finish (ABP, AMG, AQW, BCM, BGE, BPP, CAP, CMG, CRM, HUG, NBP, OCP, RMG, SDS, SMG, TXF, WCP, WIR)

Also available in RAL Finishes

Copper Finishes (NAT, BP, GP)

RINGS

A - Aluminum

B - Brass

S - Stainless Steel*

ACCESSORIES

DT - Dark Top Shield**

MSH - Mesh Screen***

OPTION****

CLR - Clear Coat Protection (Available on NAT finish only)

TEKA ILLUMINATION

MADE IN THE USA

559.438.5800 | INFO@TEKAILLUMINATION.COM | TEKAILLUMINATION.COM

THIS DOCUMENT CONTAINS PROPRIETARY INFORMATION OF TEKA ILLUMINATION AND ITS RECEIPT OR POSSESSION DOES NOT CONVEY ANY RIGHTS TO REPRODUCE, DISCLOSE ITS CONTENTS, OR TO MANUFACTURE, USE OR SELL ANYTHING IT MAY DESCRIBE. REPRODUCTION, DISCLOSURE OR USE WITHOUT SPECIFIC WRITTEN AUTHORIZATION OF TEKA ILLUMINATION IS STRICTLY FORBIDDEN.

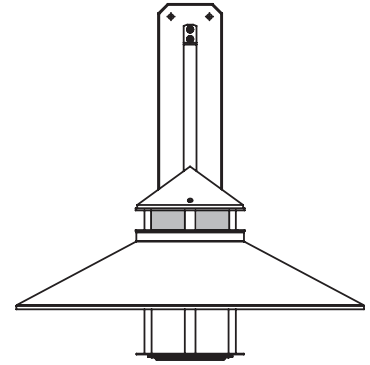
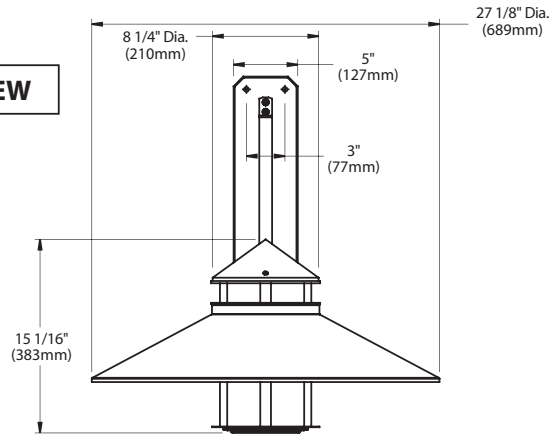
06/14/2022 SKU-1216 P1
SUB-2691-00

DATE:

PROJECT:

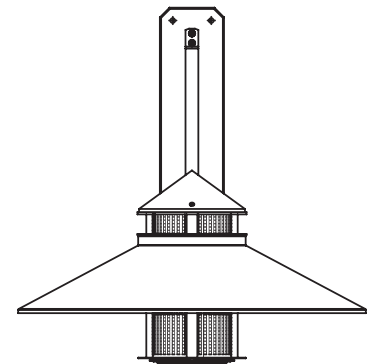
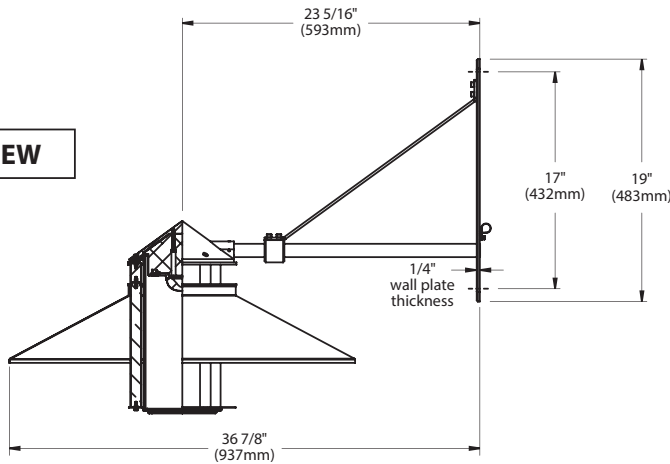
TYPE:

FRONT VIEW



(Shown with **Dark Top DT**)

SIDE VIEW



(Shown with **Mesh Screen MSH**)

STANDARD FINISHES



PREMIUM FINISHES



[Click Here](#) to view larger, full-color swatches of all available finishes on our website.

DATE:	PROJECT:	TYPE:
-------	----------	-------

ACCESSORIES (Configure separately)

SPECIFICATIONS

ELECTRICAL	WATTAGE	34W, 42W, or 57W LED
	LED	Integrated LED system with 'X' technology is scalable for field upgrade. Modular design with electrical quick disconnects permit field maintenance. Minimum 50,000 hour rated life at 70% of initial lumens (L70). LED technology provides long life, significant energy reduction and exceptional thermal management.
	COLOR MANAGEMENT	Chip on board technology delivers natural white light. Exact color point conformity exceeds ANSI C78.377 standard. Module exceeds 80 CRI (RA>80, R9.16). Color point uniformity 2 SDCM color control for 2700K-4000K CCT.
	WIRING REMOTE DRIVER	Tefzel™ coated wire, 18AWG, 600V, 150° C rated and certified to UL 1569 standard. For use with remote LED Driver. See remote driver submittal(s) to determine remote distance, dimming range, and wiring requirements prior to detailing field installation of any remote wiring.
PHYSICAL	MATERIALS	Copper and Brass: Constructed from copper and brass. These enduring metals are inherently corrosion resistant. Aluminum: Constructed from Copper-Free aluminum (Type 6061-T6).
	SHADE	27" Shade Hand spun from high purity 16GA ASTM 3003-H14 Aluminum or ASTM C101 Copper.
	BODY	Cast 360 Aluminum or Cast C836 Red Brass. With High Temperature Gasket provides water tight seal to Lens Compartment.
	LENS	6" dia. frosted acrylic lens with frosted acrylic downlight lens provides sealed optical compartment.
	RINGS	6061-T6 Aluminum Ring, 360 Brass Ring or 304 Stainless Steel Ring (Specify Separately).
	CANOPY	19"x5" *6061-T6 ALU or 360 Brass Canopy. 1/4" thick decorative beveled edge.
	MESH SCREEN	Diffuses light in window. Material and Finish to match fixture.
	DARK TOP	Eliminates glow in window above shade. Material and Finish to match fixture.
	INSTALLATION	For use with 4" recessed octagonal junction box (not included). Mounting plate provides four mounting holes to secure fixture to structure (mounting hardware not included). 3"x17" on center mounting holes.
	FINISH	Copper and Brass: Natural (NAT): Copper and brass components are sand blasted to expose the porous metal surface. Over time, and with exposure to the elements, the metals will naturally 'weather' resulting in a unique patina. Also available with hand-crafted metal finishes including brown patina (BP) and green patina (GP). Copper and brass components are also available in powder coat finishes. Optional ceramic clear coat protection (copper and brass components only) seals and protects underlying metals and protects against discoloration, fading, and wear. Highly impervious to chemicals, solvents, and graffiti. For use with natural (NAT) finish. Aluminum: StarGuard®, our exclusive RoHs compliant, 15 stage chromate-free process cleans and conversion coats aluminum components prior to application of Class 'A' TGIC polyester powder coating.
	WARRANTY LISTINGS	5 year limited warranty. UL tested to IESNA LM-79. UL Listed. Certified to CAN/CSA/ANSI Standards. RoHs compliant. Suitable for indoor or outdoor use. Suitable for use in wet locations. Additionally suitable for installation within 4' of the ground. IP65 Rated. Made in USA.



LARGE BEACON WALL MOUNT (LBW) - HORIZONTAL FOOTCANDLES

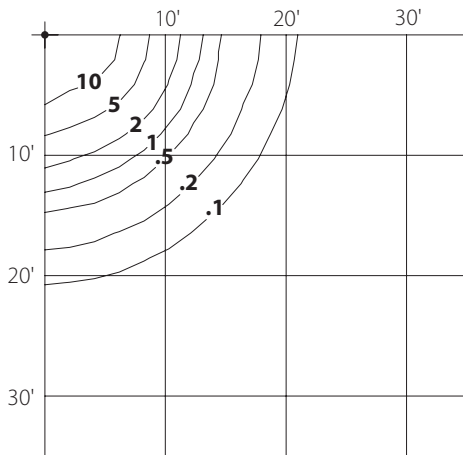
DATE:

PROJECT:

TYPE:

LBW - LED - x45 (34W) - 4000K

Mounting Height = 6 Ft, Optic = BW



HORIZONTAL FOOTCANDLES

Light Loss Factor = 1.00

Luminaire Lumens = 3354

Maximum Calculated Value = 16.33 Fc

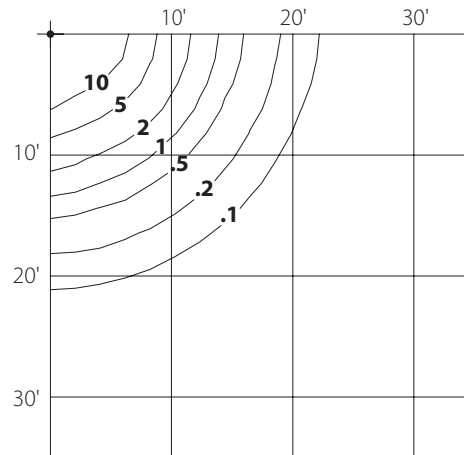
2.7K Multiplier = .92

3K Multiplier = .95

BUG Rating = B2 U2 G1

LBW - LED - x48 (42W) - 4000K

Mounting Height = 6 Ft, Optic = BW



HORIZONTAL FOOTCANDLES

Light Loss Factor = 1.00

Luminaire Lumens = 3588

Maximum Calculated Value = 25.16 Fc

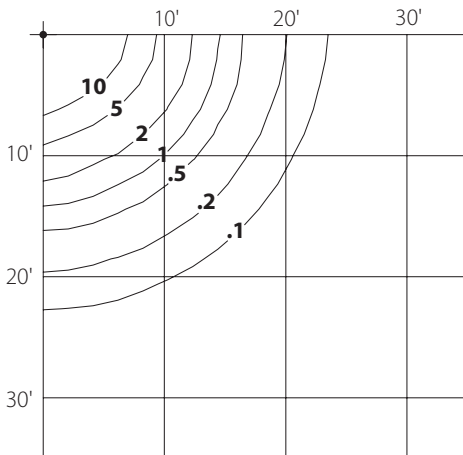
2.7K Multiplier = .93

3K Multiplier = .98

BUG Rating = B2 U2 G1

LBW - LED - x51 (57W) - 4000K

Mounting Height = 6 Ft, Optic = BW



HORIZONTAL FOOTCANDLES

Light Loss Factor = 1.00

Luminaire Lumens = 4385

Maximum Calculated Value = 32.89 Fc

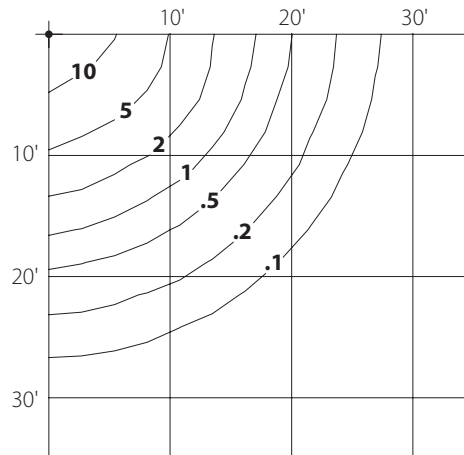
2.7K Multiplier = .88

3K Multiplier = .98

BUG Rating = B2 U2 G1

LBW - LED - x51 (57W) - 4000K

Mounting Height = 6 Ft, Optic = BW



HORIZONTAL FOOTCANDLES

Light Loss Factor = 1.00

Luminaire Lumens = 4385

Maximum Calculated Value = 18.50 Fc

2.7K Multiplier = .88

3K Multiplier = .98

BUG Rating = B2 U2 G1