

LARGE BEACON POLE MOUNT

IP66 RATED

DATE: _____ PROJECT: _____ TYPE: _____

CATALOG NUMBER LOGIC:



**Available for x43, x44, and x45 only.*

***Stainless rings are provided in Natural (NAT) finish regardless of finish choice.*

****Material and finish to match fixture*

*****Eliminates glow in upper window. Material and finish to match fixture.*

******For straight pole applications. For use with 3-1/2" OD pole tenon. Compatible with TEKA Illumination SR5. Not available with x49-x51.*

******For hinge base pole applications. Compatible with TEKA Illumination TR5.*

******For straight pole applications with 3"x5" hand hole. Compatible with TEKA Illumination SR5.*

******Standard dimming 1-100%. For use with 0-10 dimming.*

******Standard Driver 10-100%. Not available with pole top mounting.*

CATALOG NUMBER LOGIC

Example: LBP - SD35 - LED - x46 - BW - SAP - A - MSH - HH - D42 - MT

MATERIAL

(Blank) - Aluminum C - Copper

SERIES

LBP - Large Beacon Pole Mount

STYLE

SD27 - 27" Shade

SD35 - 35" Shade

SD18 - 18" Disk

SD28 - 18" Disk

SOURCE

LED - Chip on Board Technology

LED TYPE

x43 - 34W LED/2700K x46 - 42W LED/2700K x49 - 57W LED/2700K

x44 - 34W LED/3000K x47 - 42W LED/3000K x50 - 57W LED/3000K

x45 - 34W LED/4000K x48 - 42W LED/4000K x51 - 57W LED/4000K

OPTICS

TYPEIII - Type III*

TYPEIV - Type IV*

BW - Batwing

FINISH (See page 2 for full-color swatches)

Standard Finishes (BZP, BZW, BLP, BLW, WHP, WHW, SAP, VER)

Premium Finish (ABP, AMG, AQW, BCM, BGE, BPP, CAP, CMG, CRM, HUG, NBP, OCP, RMG, SDS, SMG, TXF, WCP, WIR)

Also available in RAL Finishes

Copper Finishes (NAT, BP, GP, POL)

RINGS

A - Aluminum

B - Brass

S - Stainless Steel**

ACCESSORIES (select one)

HS - House Side Shield***

DT - Dark Top Shield****

MSH - Mesh Screen***

DRIVER MOUNTING (pole sold separately)

PT - Pole Top Mount*****

HB - Hinge Based Driver Mounting*****

HH - Hand Hole Driver Mounting*****

DRIVER TYPE (driver wattage must match fixture wattage)

D34 - 34W Dimming Driver*****

D42 - 42W Dimming Driver*****

D57 - 57W Dimming Driver*****

INPUT VOLTAGE

120 - 277 Multi Tap

OPTION

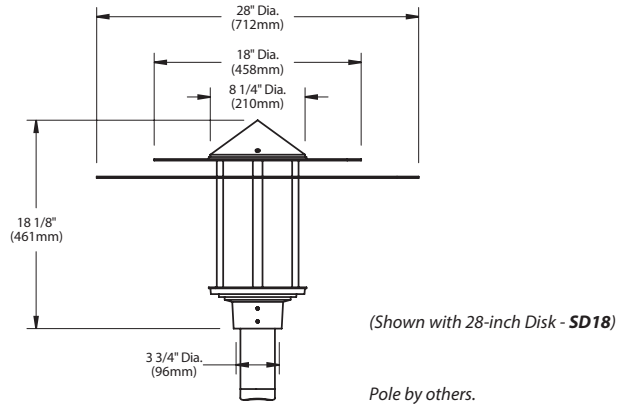
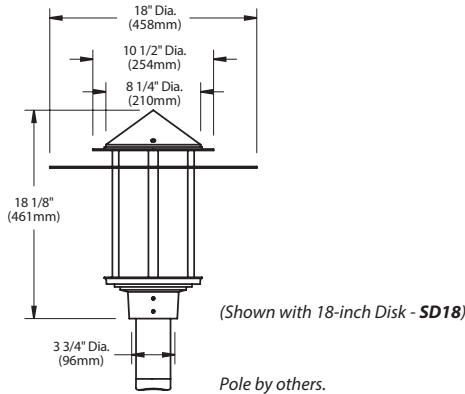
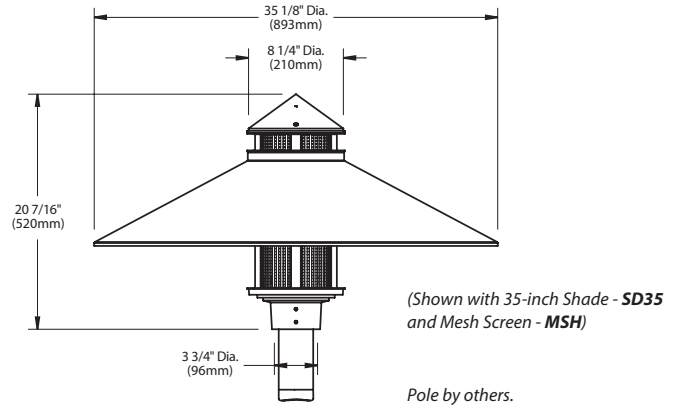
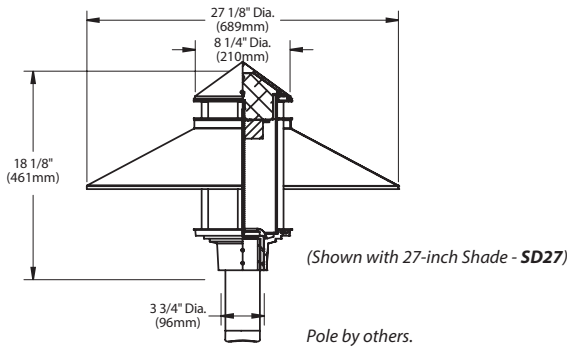
CLR - Clear Coat Protection (Available on NAT finish only)

DATE:

PROJECT:

TYPE:

SIDE VIEW



STANDARD FINISHES



PREMIUM FINISHES



[Click Here](#) to view larger, full-color swatches of all available finishes on our website.

DATE:	PROJECT:	TYPE:
-------	----------	-------

ACCESSORIES (Configure separately)

SPECIFICATIONS

ELECTRICAL	WATTAGE	34W, 42W, or 57W LED
	LED	Integrated solid state system with 'X' technology is scalable for field upgrade. Modular design with electrical quick disconnects permit field maintenance. Minimum 50,000 hour rated life at 70% of initial lumens (L70). BKSSL® technology provides long life, significant energy reduction and exceptional thermal management.
	COLOR MANAGEMENT	Chip on board technology delivers natural white light. Exact color point conformity exceeds ANSI C78.377 standard. Module exceeds 80 CRI (RA>80, R9.16). Color point uniformity 2 SDCM color control for 2700K-4000K CCT.
	WIRING DRIVER (34-57W)	Tefzel® coated wire, 18AWG, 600V, 150° C rated and certified to UL 1659 standard. [1] 1.05A (D34, D42) or 1.4A (D57), Class A, constant current driver. 120-277VAC (nominal) primary input voltage. 50/60Hz. >0.90 Power Factor, <15.0A in-rush current, ≤20%THD (nominal at 120VAC full load). Output overvoltage, over-current, and short circuit protection with auto recovery. EMC: FCC47CFR Part 15 Class B compliant. Dimming driver for use with standard 0-10V dimmers and switch controls. D34 or D42- 1-100% range (Refer to driver electrical data). D57- 10-100% dimming range.
PHYSICAL	MATERIALS	Copper: Constructed from copper and brass. These enduring metals are inherently corrosion resistant. Aluminum: Constructed from Copper-free Aluminum (Type 6061-T6).
	INSTALLATION	Slip fits 3 1/2" OD tenon or pole. (Specify Separately).
	SHADE	Hand spun from high purity ASTM 3003-H14 Aluminum or ASTM C101 Copper. Specify 27" or 35"
	DISK	Made from 6061-T6 Aluminum or Copper. Specify 18" or 27".
	LENS	6" dia. Clear acrylic lens.
	BODY	Cast 360 Aluminum or Cast C836 Red Brass. With High Temperature Gasket provides water tight seal to Lens Compartment.
	RINGS	6061-T6 Aluminum Ring, 360 Brass Ring or 304 Stainless Steel Ring (Specify Separately).
	OPTICS	Batwing Optics command control of light rays exiting luminaire for an even illumination with superior spacing criteria. Delivers wide-angle distribution while limiting undesired light in the glare zone above 60 degrees, creating a balance between wide spacing and visual comfort. The result is a more evenly illuminated area space and a huge energy savings by using fewer fixtures. The type III distribution is meant for roadway lighting, general parking areas and other areas where a larger area of lighting is required. Type III lighting needs to be placed to the side of the area, allowing the light to project outward and fill the area. This produces a filling light flow. The type IV distribution produces a semicircular light meant for mounting on the sides of buildings and walls. It's best for illuminating the perimeter of parking areas and businesses.
	HARDWARE	Tamper-resistant, stainless steel hardware.
	FINISH	Copper and Brass: Natural (NAT): Copper and brass components are sand blasted to expose the porous metal surface. Over time, and with exposure to the elements, the metals will naturally 'weather' resulting in a unique patina. Also available with hand-crafted metal finishes including brown patina (BP), green patina (GP), and polish (POL). Aluminum, Copper and brass components are also available in powder coat finishes. Optional ceramic clear coat protection (copper and brass components only) seals and protects underlying metals and protects against discoloration, fading, and wear. Highly impervious to chemicals, solvents, and graffiti. For use with natural (NAT) and polish (POL) finishes. Aluminum: StarGuard®, our exclusive RoHS compliant, 15 stage chromate-free process cleans and conversion coats aluminum components prior to application of Class 'A' TGIC polyester powder coating.



DATE:

PROJECT:

TYPE:

SPECIFICATIONS

PHYSICAL

CLEAR COAT PROTECTION

Optional ceramic clear coating seals and protects underlying metals and protects against discoloration, fading, and wear. Highly impervious to chemicals, solvents, and graffiti. For use with natural (NAT) finish.

WARRANTY

5 year limited warranty.

LISTINGS

UL tested to IESNA LM-79. UL Listed. Certified to CAN/CSA/ANSI Standards. RoHs compliant. Suitable for indoor or outdoor use. Suitable for use in wet locations. Additionally suitable for installation within 4' of the ground. IP66 Rated. Made in USA.



LAMP & DRIVER DATA

DATE: _____ PROJECT: _____ TYPE: _____

DRIVER DATA

Type	AC Input Range	Frequency Hz	Power Factor at Full Load (Efficiency)	THD	InRush Current	Operating Current	Operation Ambient Temperature	Dimmer Type	Dimmer Range
D34	120-277VAC	50/60	>.90	<20%	30mA ² s@277V	1050mA	-30°C ~ 50°C	0-10	1-100%
D42	120-277VAC	50/60	>.90	<20%	30mA ² s@277V	1050mA	-30°C ~ 50°C	0-10	1-100%
D57	100-277VAC	50/60	>.90	<20%	50A Max@277V	1400mA	-30°C + 50°C	0-10	10-100%

LM79 DATA

LM70 DATA

TEKA LED #	OPTIC	LUMENS (Delivered)	CCT	INPUT WATTS (Typ.)	CRI (Typ.)	Minimum Rated Life (hrs.) - 70% of initial lumens (L70)
x43	BW	3330	34	2700	80	50,000
x44	BW	3451	34	3000	80	50,000
x45	BW	3621	34	4000	80	50,000
x46	BW	4806	42	2700	80	50,000
x47	BW	5072	42	3000	80	50,000
x48	BW	5151	42	4000	80	50,000
x49	BW	6109	57	2700	80	50,000
x50	BW	6854	57	3000	80	50,000
x51	BW	6960	57	4000	80	50,000
x43	TYPE III	3417	34	2700	80	50,000
x44	TYPE III	3542	34	3000	80	50,000
x45	TYPE III	3716	34	4000	80	50,000
x43	TYPE IV	3457	34	2700	80	50,000
x44	TYPE IV	3583	34	3000	80	50,000
x45	TYPE IV	3760	34	4000	80	50,000

LARGE BEACON POLE MOUNT (LBP) - HORIZONTAL FOOTCANDLES

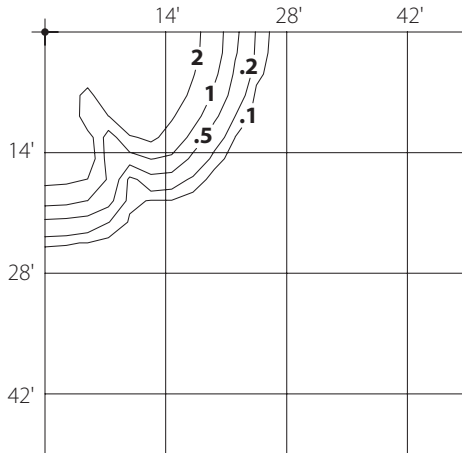
DATE:

PROJECT:

TYPE:

LBP - LED - x45 (34W) - 4000K

Mounting Height = 12 Ft, Style = SD27 Optic = BW



HORIZONTAL FOOTCANDLES

Light Loss Factor = 1.00

Luminaire Lumens = 3621

Maximum Calculated Value = 4.15 Fc

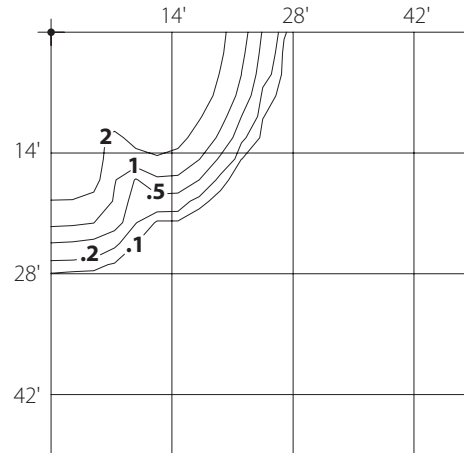
2.7K Multiplier = .92

3K Multiplier = .95

BUG Rating = B2 U2 G1

LBP - LED - x48 (42W) - 4000K

Mounting Height = 12 Ft, Style = SD35 Optic = BW



HORIZONTAL FOOTCANDLES

Light Loss Factor = 1.00

Luminaire Lumens = 5150

Maximum Calculated Value = 5.95 Fc

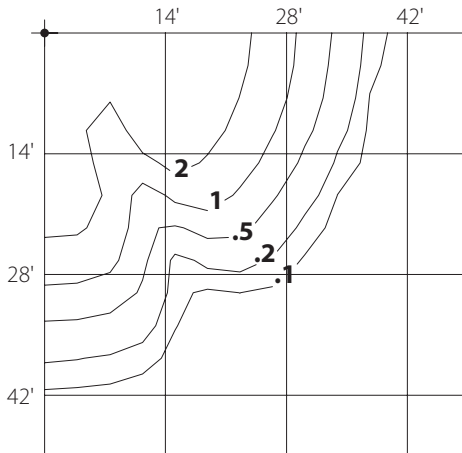
2.7K Multiplier = .88

3K Multiplier = .98

BUG Rating = B2 U3 G1

LBP - LED - x51 (57W) - 4000K

Mounting Height = 18 Ft, Style = SD28 Optic = BW



HORIZONTAL FOOTCANDLES

Light Loss Factor = 1.00

Luminaire Lumens = 6567

Maximum Calculated Value = 3.20 Fc

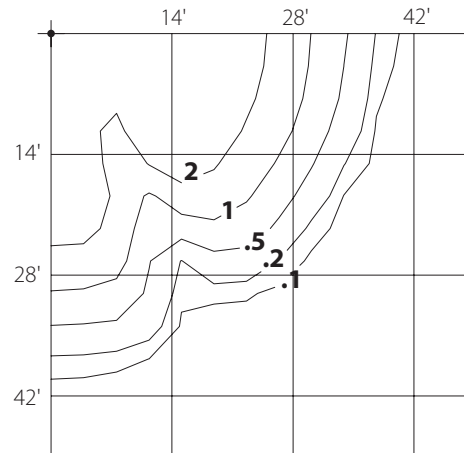
2.7K Multiplier = .88

3K Multiplier = .98

BUG Rating = B3 U3 G2

LBP - LED - x51 (57W) - 4000K

Mounting Height = 18 Ft, Style = SD35 Optic = BW



HORIZONTAL FOOTCANDLES

Light Loss Factor = 1.00

Luminaire Lumens = 6959

Maximum Calculated Value = 3.65 Fc

2.7K Multiplier = .88

3K Multiplier = .98

BUG Rating = B3 U3 G1