

DATE: _____ PROJECT: _____ TYPE: _____

CATALOG NUMBER LOGIC:



**Stainless rings are provided in Natural (NAT) finish regardless of finish choice.*

***Material and finish to match fixture.*

****Copper mesh supplied with brass fixture. Finish to match material.*

*****For straight pole applications. For use with 3-1/2" OD pole tenon. Compatible with TEKA Illumination SR5.*

*****For hinge base pole applications. Compatible with TEKA Illumination TR5.*

******For straight pole applications with 3"x5" hand hole. Compatible with TEKA Illumination SR5.*

******Standard Driver 10-100%. For use with 0-10 dimming.*

CATALOG NUMBER LOGIC

Example: LTP - LED - x43 - BW - SAP - A - HS - PT - D34 - MT

MATERIAL

(Blank) - Aluminum C - Copper

SERIES

LTP - Large Tower Pole Mount

SOURCE

LED - Chip on Board Technology

LED TYPE

x43 - 34W LED/2700K x44 - 34W LED/3000K x45 - 34W LED/4000K

OPTIC

BW - Batwing

FINISH (See page 2 for full-color swatches)

Standard Finishes (BZP, BZW, BLP, BLW, WHP, WHW, SAP, VER)

Premium Finish (ABP, AMG, AQW, BCM, BGE, BPP, CAP, CMG, CRM, HUG, NBP, OCP, RMG, SDS, SMG, TXF, WCP, WIR)

Also available in RAL Finishes

Copper Finishes (NAT, BP, GP, POL)

RINGS

A - Aluminum

B - Brass

S - Stainless Steel**

ACCESSORIES (select one)

HS - House Side Shield***

MSH - Mesh Screen****

DRIVER MOUNTING (pole sold separately)

PT - Pole Top Mount*****

HB - Hinge Based Driver Mounting*****

HH - Hand Hole Driver Mounting*****

DRIVER TYPE (driver wattage must match fixture wattage)

D34 - 34W Dimming Driver*****

INPUT VOLTAGE

MT - 120-277 Multi Tap

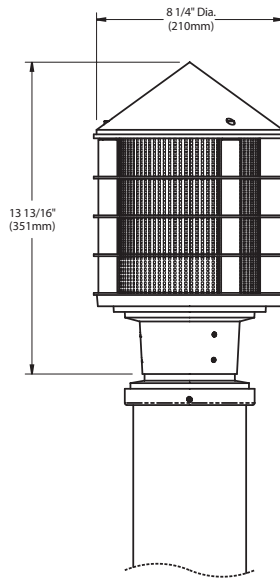
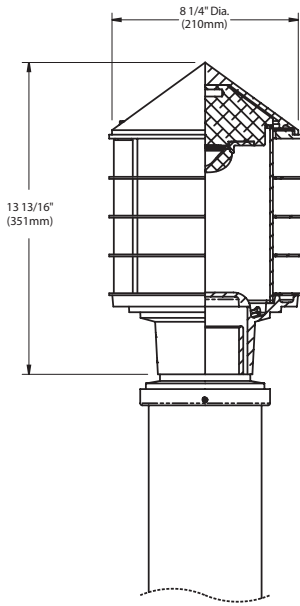
OPTION

CLR - Clear Coat Protection (Available on NAT finish only)

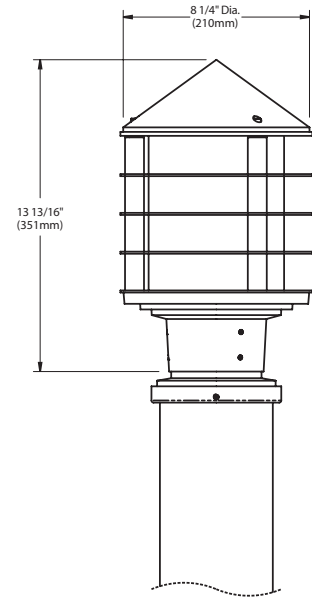
DATE:

PROJECT:

TYPE:



(Shown with **Mesh Screen MSH**)

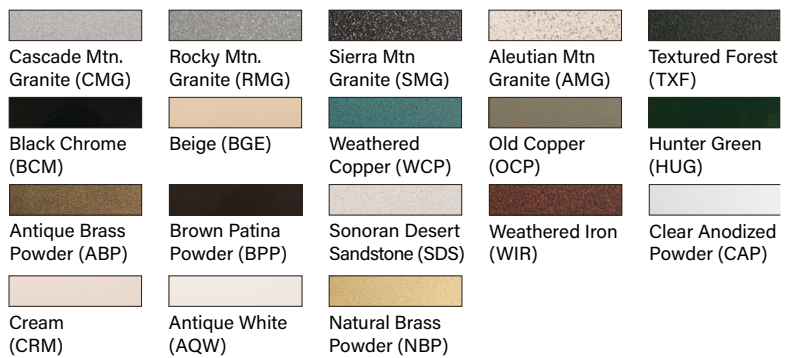


(Shown with **House Side Shield HS**)

STANDARD FINISHES



PREMIUM FINISHES



[Click Here](#) to view larger, full-color swatches of all available finishes on our website.

DATE:	PROJECT:	TYPE:
-------	----------	-------

ACCESSORIES (Configure separately)

SPECIFICATIONS

ELECTRICAL	WATTAGE	34W LED
	LED	Integrated solid state system with 'X' technology is scalable for field upgrade. Modular design with electrical quick disconnects permit field maintenance. Minimum 50,000 hour rated life at 70% of initial lumens (L70). LED technology provides long life, significant energy reduction and exceptional thermal management.
	COLOR MANAGEMENT	Chip on board technology delivers natural white light. Exact color point conformity exceeds ANSI C78.377 standard. Module exceeds 80 CRI (RA>80, R9.16). Color point uniformity 2 SDCM color control for 2700K-4000K CCT.
	WIRING DRIVER (34W)	Tefzel® coated wire, 18AWG, 600V, 150° C rated and certified to UL 1659 standard. [1] 1.05A (D34), Class A, constant current driver. 120-277VAC (nominal) primary input voltage. 50/60Hz. >0.90 Power Factor, 30mA²S in-rush current, ≤20%THD (nominal at 120VAC full load). Output over-voltage, over-current, and short circuit protection with auto recovery. EMC: FCC47CFR Part 15 Class B compliant. Dimming driver for use with standard 0-10V dimmers and switch controls. 1-100% range (Refer to driver electrical data), D34 - 1-100% dimming range.
PHYSICAL	MATERIALS	Copper: Constructed from copper and brass. These enduring metals are inherently corrosion resistant. Aluminum: Constructed from Copper-free Aluminum (Type 6061-T6).
	INSTALLATION	Slip fits 3 1/2" OD tenon or pole. (Specify Separately).
	LENS	6" dia. Frosted acrylic lens.
	BODY	Cast 360 Aluminum or Cast C836 Red Brass. With High Temperature Gasket provides water tight seal to Lens Compartment.
	RINGS	6061-T6 Aluminum Ring, 360 Brass Ring or 304 Stainless Steel Rings.
	OPTICS	Batwing Optics command control of light rays exiting luminaire for an even illumination with superior spacing criteria. Delivers wide-angle distribution while limiting undesired light in the glare zone above 60 degrees, creating a balance between wide spacing and visual comfort. The result is a more evenly illuminated area space and a huge energy savings by using fewer fixtures.
	HARDWARE	Tamper-resistant, stainless steel hardware.
	FINISH	Copper and Brass: Natural (NAT): Copper and brass components are sand blasted to expose the porous metal surface. Over time, and with exposure to the elements, the metals will naturally 'weather' resulting in a unique patina. Also available with hand-crafted metal finishes including brown patina (BP), green patina (GP), and polish (POL). Copper and brass components are also available in powder coat finishes. Optional ceramic clear coat protection (copper and brass components only) seals and protects underlying metals and protects against discoloration, fading, and wear. Highly impervious to chemicals, solvents, and graffiti. For use with natural (NAT) and polish (POL) finishes.
	WARRANTY	5 year limited warranty.
	LISTINGS	UL tested to IESNA LM-79. UL Listed. Certified to CAN/CSA/ANSI Standards. RoHs compliant. Suitable for indoor or outdoor use. Suitable for use in wet locations. Additionally suitable for installation within 4' of the ground. IP66 Rated. Made in USA.



LAMP & DRIVER DATA

DATE: _____ PROJECT: _____ TYPE: _____

DRIVER DATA

Type	AC Input Range	Frequency Hz	Power Factor at Full Load (Efficiency)	THD	InRush Current	Operating Current	Operation Ambient Temperature	Dimmer Type	Dimmer Range
D34	120-277	50/60	>.90	<20%	30mA ² s@277V	1050mA	-30°C ~ 50°C	0-10V	1-100%

LM79 DATA

LM70 DATA

TEKA LED #	LUMENS (Delivered)	CCT	INPUT WATTS (Typ.)	CRI (Typ.)	Minimum Rated Life (hrs.) - 70% of initial lumens (L70)
x43	2408	2700	34	80	50,000
x44	2496	3000	34	80	50,000
x45	2619	4000	34	80	50,000

LARGE TOWER POLE MOUNT (LTP) - HORIZONTAL FOOTCANDLES

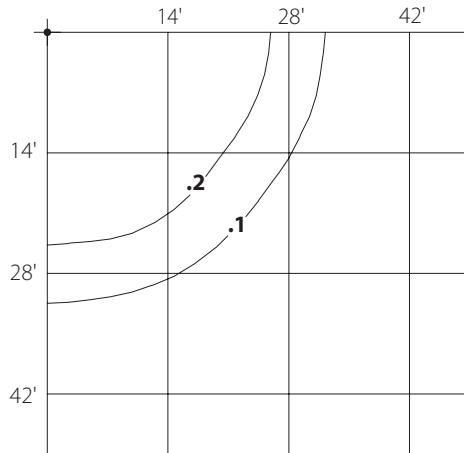
DATE:

PROJECT:

TYPE:

LTP - LED - x45 (34W) - 4000K

Mounting Height = 12 Ft, Optic = BW



HORIZONTAL FOOTCANDLES

Light Loss Factor = 1.00

Luminaire Lumens = 2618

Maximum Calculated Value = 0.54 Fc

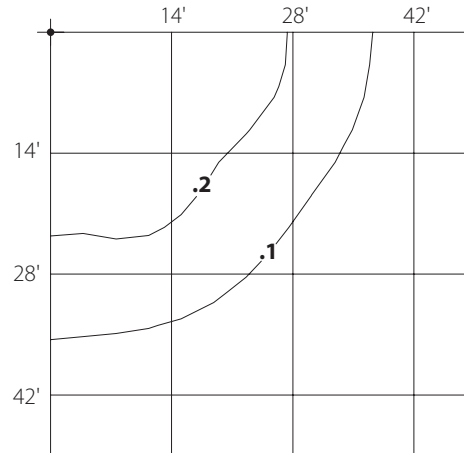
2.7K Multiplier = .92

3K Multiplier = .95

BUG Rating = B1 U4 G2

LTP - LED - x45 (34W) - 4000K

Mounting Height = 18 Ft, Optic = BW



HORIZONTAL FOOTCANDLES

Light Loss Factor = 1.00

Luminaire Lumens = 2618

Maximum Calculated Value = 0.24 Fc

2.7K Multiplier = .92

3K Multiplier = .95

BUG Rating = B1 U4 G2