

DATE: _____ PROJECT: _____ TYPE: _____

CATALOG NUMBER LOGIC:



*120V only.

**Finish to match fixture.

***Stainless rings are provided in Natural (NAT) finish regardless of finish choice.

****Only available for Copper Material.

CATALOG NUMBER LOGIC

Example: SWM - LED - L10 - SAP - A - CQW

MATERIAL

(Blank) - Aluminum C - Copper

SERIES

SWM - Screened Wall Mount

SOURCE

LED - Line Voltage*

LED TYPE

L10 - 10W LED/2700K

L11 - 10W LED/3000K

L12 - 10W LED/4000K

L13 - 10W LED 2200K-3500K (Warm Dimming)

L15 - 20W LED/2700K

L16 - 20W LED/3000K

L17 - 20W LED/4000K

L18 - 20W LED/2200-3500K (Warm Dimming)

FINISH (See page 2 for full-color swatches)

Standard Finishes (BZP, BZW, BLP, BLW, WHP, WHW, SAP, VER)

Premium Finish (ABP, AMG, AQW, BCM, BGE, BPP, CAP, CMG, CRM, HUG, NBP, OCP, RMG, SDS, SMG, TXF, WCP, WIR)

Also available in RAL Finishes

Copper Finishes (NAT, BP, GP)

RINGS

A - Aluminum**

B - Brass**

S - Stainless Steel***

OPTION****

CLR - Clear Coat Protection (Available on NAT finish only)

CANOPY

CRW - Round Canopy

CQW - Square Canopy

CTW - Rectangular Canopy

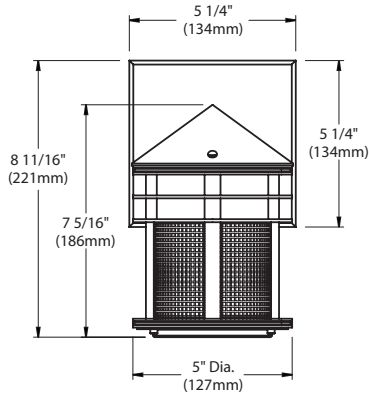
DATE:

PROJECT:

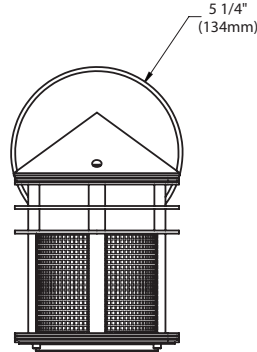
TYPE:

FRONT VIEW

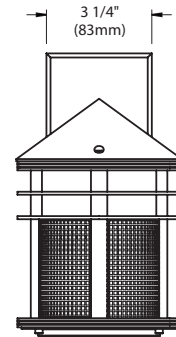
(Shown with 5" Square Canopy)



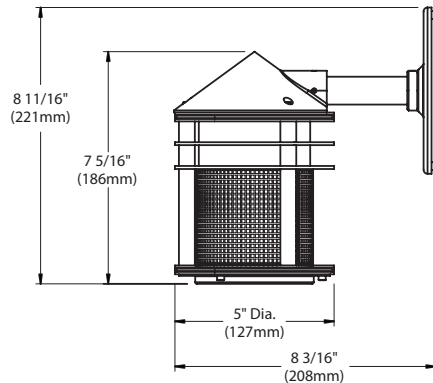
(Shown with 5" Round Canopy)



(Shown with 3x5" Rectangular Canopy)



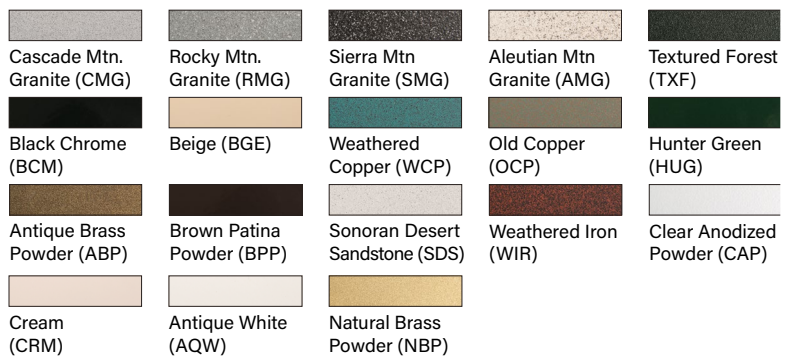
SIDE VIEW



STANDARD FINISHES



PREMIUM FINISHES



[Click Here](#) to view larger, full-color swatches of all available finishes on our website.

DATE:	PROJECT:	TYPE:
-------	----------	-------

ACCESSORIES (Configure separately)

SPECIFICATIONS

ELECTRICAL	WATTAGE	10W or 20W LED
	LED	Integrated LED system with 'L' technology is scalable for field upgrade. Modular design with electrical quick disconnects permit field maintenance available in 27000k, 3000k or 4000k specify 9W or 20W. Warm Dim LED 2200K-3500K specify 9W or 20W. Line voltage input 120V only. Compatible with electronic low voltage dimmers only.
	WIRING	Tefzel™ coated, 18AWG, 600V, 150° C rated and certified to UL 1659 standard.
PHYSICAL	MATERIALS	Copper: Constructed from copper and brass. These enduring metals are inherently corrosion resistant. Aluminum: Constructed from Copper-Free aluminum (Type 6061-T6)
	INSTALLATION	5" diameter or 3"x5"; machined aluminum mounting plate with black finish. For use with 4" octagonal or single gang junction box (not included).
	CANOPY	Canopy cover conceals mounting plate and hardware. Material is hand spun from high purity, solid copper plate with tamper resistant machined 360 aluminum or brass lock collar. Available in 5-1/4" diameter round canopy cover, 18GA aluminum or 18GA copper. Square canopy cover 5-1/4" x 5-1/4" or rectangular canopy cover 3- 1/4" x 5-1/4" made from 16GA Aluminum or 16GA copper.
	LENS	3-1/2" dia. frosted acrylic lens with frosted acrylic downlight lens provides sealed optical compartment.
	STEM	Machined from heavy wall 7/8" O.D. X 1/8" 6061-T6 Extruded aluminum tube or 7/8" O.D. X 1/8" ASTM 330 brass tube.
	MESH SCREEN	Diffuses light in window. Finish to match fixture.
	BODY	360 Aluminum Cast or C836 Red Brass cast. High temperature, silicone gasket provides water tight seal to shade assembly.
	RING STACK	Solid aluminum accent rings with solid aluminum spacers; brass or stainless steel accent rings with solid brass spacers.
	HARDWARE	Tamper-resistant, stainless steel hardware with black oxide finish.
	FINISH	Copper and Brass: Natural (NAT): Copper and brass components are sand blasted to expose the porous metal surface. Over time, and with exposure to the elements, the metals will naturally 'weather' resulting in a unique patina. Also available with hand-crafted metal finishes including brown patina (BP), green patina (GP), and polish (POL). Copper and brass components are also available in powder coat finishes. Optional ceramic clear coat protection (copper and brass components only) seals and protects underlying metals and protects against discoloration, fading, and wear. Highly impervious to chemicals, solvents, and graffiti. For use with natural (NAT) and polish (POL) finishes.
	WARRANTY	Aluminum: StarGuard®, our exclusive RoHs compliant, 15 stage chromate-free process cleans and conversion coats aluminum components prior to application of Class 'A' TGIC polyester powder coating. 5 year limited warranty.
	LISTINGS	UL tested to IESNA LM-79. UL Listed. Certified to CAN/CSA/ANSI Standards. RoHs compliant. Suitable for indoor or outdoor use. Suitable for use in wet locations. Additionally suitable for installation within 4' of the ground. IP65 Rated. Made in USA.

DATA

DATE:

PROJECT:

TYPE:

LM79 DATA

LM70 DATA

TEKA LED #	LUMENS (Delivered)	CCT	INPUT WATTS (Typ.)	CRI (Typ.)	BUG RATING	Minimum Rated Life (hrs.) - 70% of initial lumens (L70)
L10	413	2700	10	90	B0-U3-G1	50,000
L11	413	3000	10	90	B0-U3-G1	50,000
L12	426	4000	10	90	B0-U3-G1	50,000
L13	417	2200-3500 warm dim	10	90	B0-U3-G1	50,000
L15	691	2700	20	90	B0-U3-G1	50,000
L16	731	3000	20	90	B0-U3-G1	50,000
L17	803	4000	20	90	B0-U3-G1	50,000
L18	787	2200-3500 warm dim	20	90	B0-U3-G1	50,000

TEKA ILLUMINATION

MADE IN THE USA

559.438.5800 | INFO@TEKAILLUMINATION.COM | TEKAILLUMINATION.COM

THIS DOCUMENT CONTAINS PROPRIETARY INFORMATION OF TEKA ILLUMINATION AND ITS RECEIPT OR POSSESSION DOES NOT CONVEY ANY RIGHTS TO REPRODUCE, DISCLOSE ITS CONTENTS, OR TO MANUFACTURE, USE OR SELL ANYTHING IT MAY DESCRIBE. REPRODUCTION, DISCLOSURE OR USE WITHOUT SPECIFIC WRITTEN AUTHORIZATION OF TEKA ILLUMINATION IS STRICTLY FORBIDDEN.

SCREENED WALL MOUNT (SWM) - HORIZONTAL FOOTCANDLES

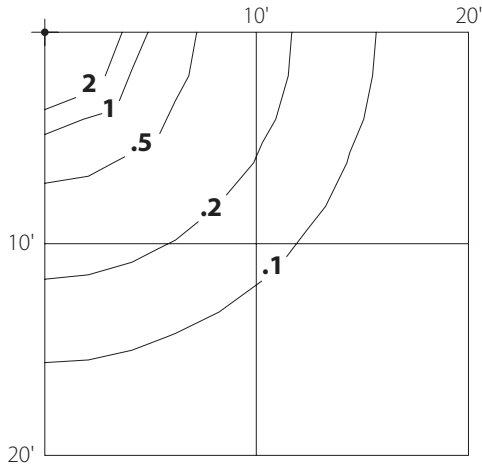
DATE:

PROJECT:

TYPE:

SWM - LED - L17 (20W) - 4000K

Mounting Height = 6 Ft



HORIZONTAL FOOTCANDLES

Light Loss Factor = 1.00

Luminaire Lumens = 803

Maximum Calculated Value = 9.63 Fc

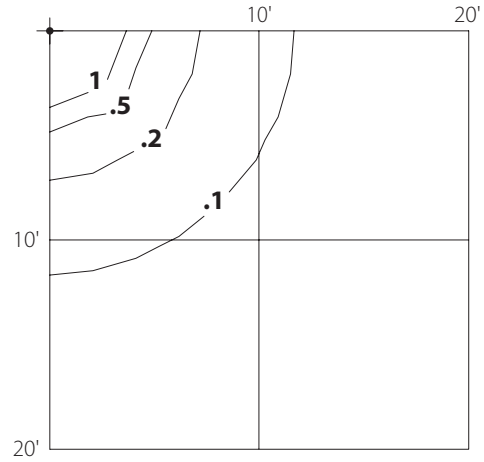
2.7K Multiplier = .86

3K Multiplier = .91

BUG Rating = B0 U3 G1

SWM - LED - L12 (10W) - 4000K

Mounting Height = 6 Ft



HORIZONTAL FOOTCANDLES

Light Loss Factor = 1.00

Luminaire Lumens = 426

Maximum Calculated Value = 5.10 Fc

2.7K Multiplier = .86

3K Multiplier = .91

BUG Rating = B0 U3 G1