

DATE:	PROJECT:	TYPE:
-------	----------	-------

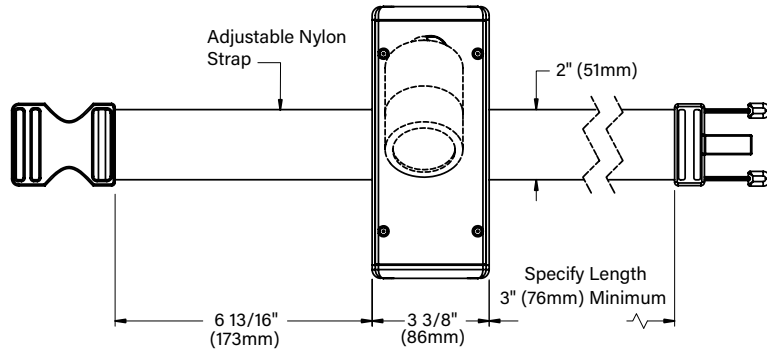
CATALOG NUMBER LOGIC:



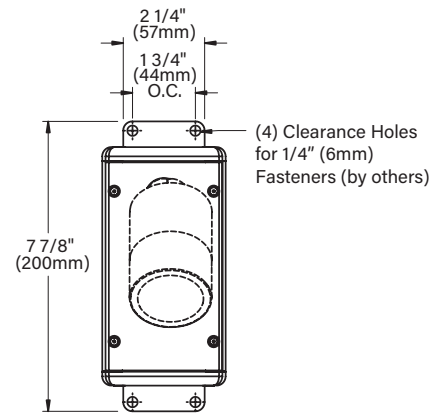
<b>CATALOG NUMBER LOGIC</b>
Example: PM1 - TS-18 - TRe20 - 1 - BZW - MB
<b>MATERIAL</b>
Aluminum
<b>SERIES</b>
PM1 - Universal Power Module 1
<b>MOUNTING</b>
TS-Length - Tree Strap (Specify adjustable strap length) 18" Standard Min.
<b>TRANSFORMER TYPE</b>
TRe20 - TRe20 Electronic Transformer*
<b>FIXTURE MOUNTING</b>
1 - Offset
<b>FINISH (See page 2 for full-color swatches)</b>
Standard Finishes (BZP, BZW, BLP, BLW, WHP, WHW, SAP, VER)
Premium Finish (ABP, AMG, AQW, BCM, BGE, BPP, CAP, CMG, CRM, HUG, NBP, OCP, RMG, SDS, SMG, TXF, WCP, WIR)
(Also available in RAL Finishes. See submittal SUB-1439-00)
<b>OPTIONS</b>
SC - Safety Cable for use with Tree Strap Mount. Cable length to match strap length. 18" Standard Min.
MB - Mounting Brackets (Standard on Surface Mount and Monument Mount)

\*For use with LED fixtures. 105-300 VAC. 50/60 Hz. non-dimming.

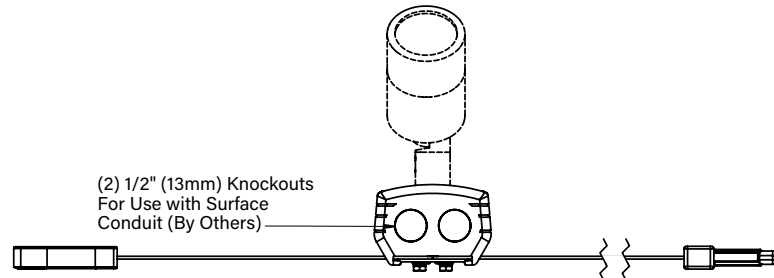
DATE: \_\_\_\_\_ PROJECT: \_\_\_\_\_ TYPE: \_\_\_\_\_



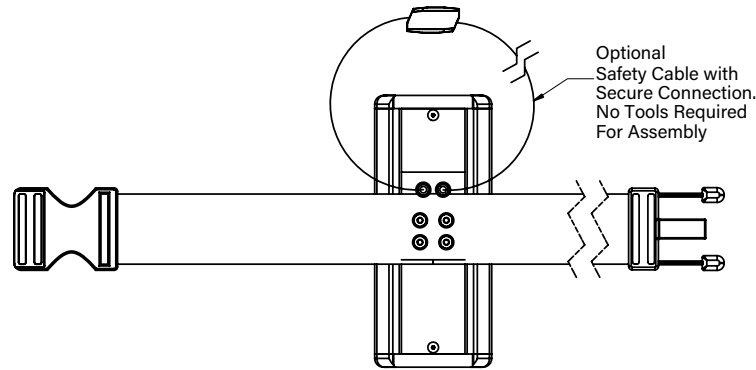
**FRONT VIEW**



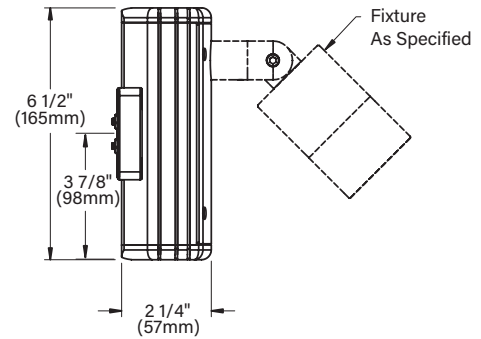
**OPTIONAL MOUNTING BRACKET**



**END VIEW**



**SAFETY CABLE**



**SIDE VIEW**

**STANDARD FINISHES**



**PREMIUM FINISHES**



[Click Here](#) to view larger, full-color swatches of all available finishes on our website.

DATE:	PROJECT:	TYPE:
-------	----------	-------

ACCESSORIES (Configure separately)

## SPECIFICATIONS

ELECTRICAL	TRe20 ELECTRONIC TRANSFORMER	For use with LED Power of 'e' Systems. [1] 20VA electronic low voltage transformer 105-330VAC primary voltage. 1 watt minimum load. 20 watt maximum load. 50/60Hz. Non-Dimming. 12VDC secondary voltage. >90% Power Factor. >80% Efficiency (under full load). Inrush current limited to <5A max. Thermal shutdown with auto-restart. Overload, short circuit, and open circuit protection.
PHYSICAL	INSTALLATION	Universal design accommodates a single low voltage fixture (specified separately) and permits water-tight installation in four distinct mounting conditions.
	TREE INSTALLATION	Tree Strap mounting system facilitates non-invasive installation. Adjustable nylon strap is mold and mildew resistant and will not hinder tree growth. Optional stainless steel safety cable maintains UPM mounting when nylon strap is disengaged.
	HOUSING	Copper free, aluminum extrusion with die cast end caps. Surface mounted with flow through back channel to prevent water and debris collection. Machined aluminum cover with countersunk holes for flush hardware installation. Specify offset or center fixture position. Tamperresistant, captive, black oxide stainless steel mounting screws. Front access for ease of installation and inspection. [2] 1/2" NPT female conduit entries per end cap for through wiring.
	INSTALLATION TETHER	Stainless steel cable with integral loop allows cover to temporarily suspend from housing during installation to simplify wire connection and component attachment.
	PATENTED KNOCKOUTS	[4] 1/2" NPT, machined aluminum knockouts. High temperature, silicone 'O' Ring for water-tight seal. Patented design allows knockout to be reinserted without compromising seal integrity.
	FINISH	StarGuard®, our exclusive RoHs compliant, 15 stage chromate-free process cleans and conversion coats aluminum components prior to application of Class 'A' TGIC polyester powder coating. Finish to match fixtures (specified separately).
	WARRANTY	5 year limited warranty.
LISTINGS	NEMA 4X / IP-66 Rated Enclosure. UL Listed. Certified to CAN/CSA/ANSI Standards. RoHs compliant. Made in USA.	



DATE:	PROJECT:	TYPE:
-------	----------	-------

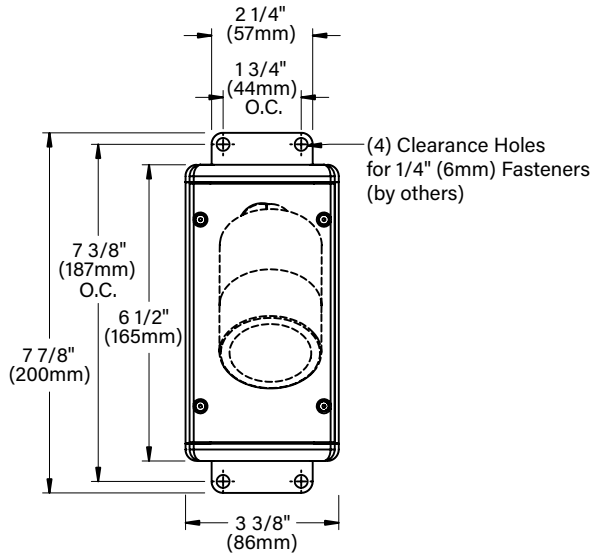
CATALOG NUMBER LOGIC:



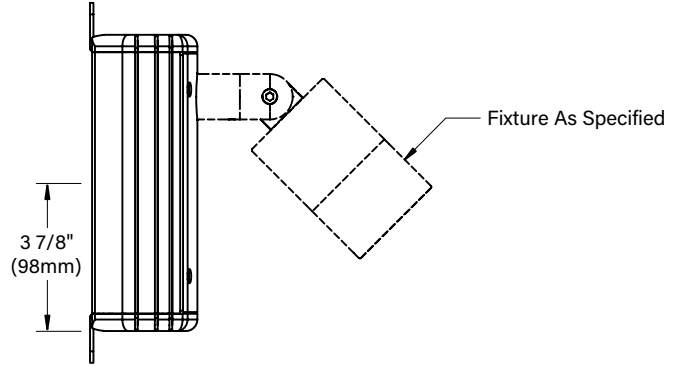
<b>CATALOG NUMBER LOGIC</b>
Example: PM1 - SM - TRe20 - 1 - BZW - MB
<b>MATERIAL</b>
Aluminum
<b>SERIES</b>
PM1 - Universal Power Module 1
<b>MOUNTING</b>
SM - Surface Mount
<b>TRANSFORMER TYPE</b>
TRe20 - TRe20 Electronic Transformer*
<b>FIXTURE MOUNTING</b>
1 - Offset
<b>FINISH (See page 2 for full-color swatches)</b>
Standard Finishes (BZP, BZW, BLP, BLW, WHP, WHW, SAP, VER)
Premium Finish (ABP, AMG, AQW, BCM, BGE, BPP, CAP, CMG, CRM, HUG, NBP, OCP, RMG, SDS, SMG, TXF, WCP, WIR)
(Also available in RAL Finishes. See submittal SUB-1439-00)

\*For use with LED fixtures. 105-300 VAC. 50/60 Hz. non-dimming.

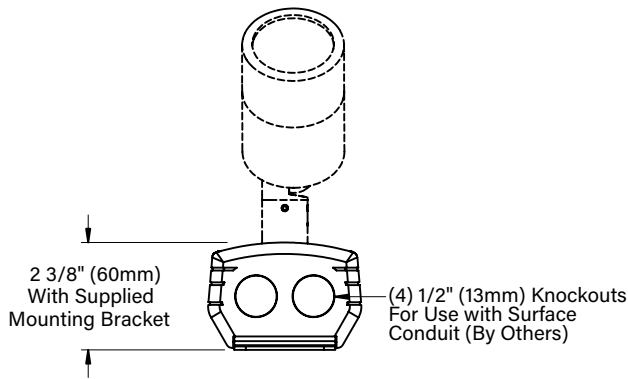
DATE: \_\_\_\_\_ PROJECT: \_\_\_\_\_ TYPE: \_\_\_\_\_



**FRONT VIEW**



**SIDE VIEW**

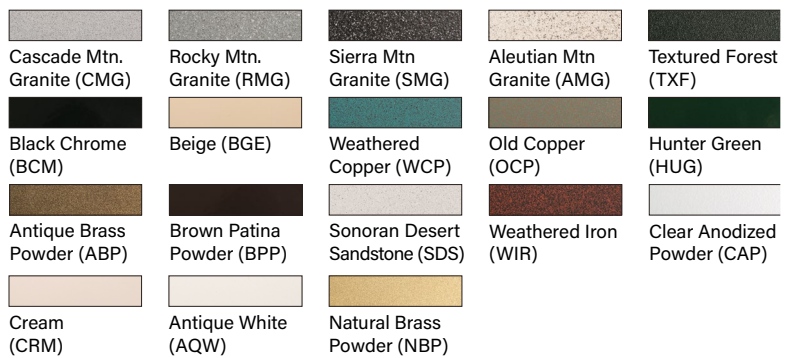


**END VIEW**

**STANDARD FINISHES**



**PREMIUM FINISHES**



[Click Here](#) to view larger, full-color swatches of all available finishes on our website.

DATE:	PROJECT:	TYPE:
-------	----------	-------

ACCESSORIES (Configure separately)

## SPECIFICATIONS

ELECTRICAL	TRe20 ELECTRONIC TRANSFORMER	For use with LED Power of 'e' Systems. [1] 20VA electronic low voltage transformer 105-330VAC primary voltage. 1 watt minimum load. 20 watt maximum load. 50/60Hz. Non-Dimming. 12VDC secondary voltage. >90% Power Factor. >80% Efficiency (under full load). Inrush current limited to <5A max. Thermal shutdown with auto-restart. Overload, short circuit, and open circuit protection.
PHYSICAL	INSTALLATION	Universal design accommodates a single low voltage fixture (specified separately) and permits water-tight installation in four distinct mounting conditions.
	SURFACE MOUNT	For use with side entry, surface conduits. Stainless steel mounting brackets provide for direct anchor to architectural surfaces in any orientation.
	HOUSING	Copper free, aluminum extrusion with die cast end caps. Surface mounted with flow through back channel to prevent water and debris collection. Machined aluminum cover with countersunk holes for flush hardware installation. Specify offset or center fixture position. Tamperresistant, captive, black oxide stainless steel mounting screws. Front access for ease of installation and inspection. [2] 1/2" NPT female conduit entries per end cap for through wiring.
	INSTALLATION TETHER	Stainless steel cable with integral loop allows cover to temporarily suspend from housing during installation to simplify wire connection and component attachment.
	PATENTED KNOCKOUTS	[4] 1/2" NPT, machined aluminum knockouts. High temperature, silicone 'O' Ring for water-tight seal. Patented design allows knockout to be reinserted without compromising seal integrity.
	FINISH	StarGuard®, our exclusive RoHs compliant, 15 stage chromate-free process cleans and conversion coats aluminum components prior to application of Class 'A' TGIC polyester powder coating. Finish to match fixtures (specified separately).
	WARRANTY	5 year limited warranty.
	LISTINGS	NEMA 4X / IP-66 Rated Enclosure. UL Listed. Certified to CAN/CSA/ANSI Standards. RoHs compliant. Made in USA.

DATE:	PROJECT:	TYPE:
-------	----------	-------

CATALOG NUMBER LOGIC:



**CATALOG NUMBER LOGIC**

Example: PM1 - CR - TRe20 - 1 - BZW - MB

**MATERIAL**

Aluminum

**SERIES**

PM1 - Universal Power Module 1

**MOUNTING**

CR - Round Camlock Canopy (Recessed Junction Box)

CT - Rectangular Camlock Canopy (Recessed Junction Box)

**TRANSFORMER TYPE**

TRe20 - TRe20 Electronic Transformer\*

**FIXTURE MOUNTING**

1 - Offset

**FINISH (See page 2 for full-color swatches)**

Standard Finishes (BZP, BZW, BLP, BLW, WHP, WHW, SAP, VER)

Premium Finish (ABP, AMG, AQW, BCM, BGE, BPP, CAP, CMG, CRM, HUG, NBP, OCP, RMG, SDS, SMG, TXF, WCP, WIR)

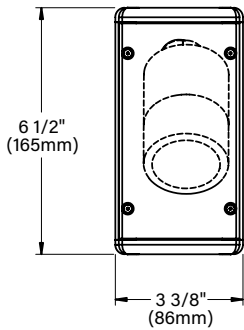
(Also available in RAL Finishes. See submittal SUB-1439-00)

**OPTIONS**

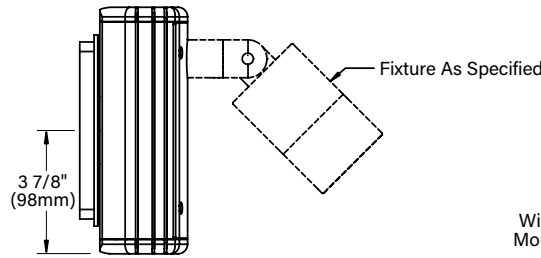
MB - Mounting Brackets (Standard on Surface Mount and Monument Mount)

\*For use with LED fixtures. 105-300 VAC. 50/60 Hz. non-dimming.

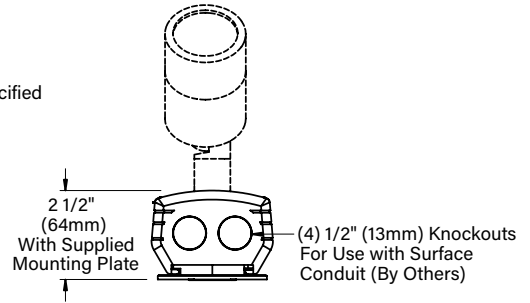
DATE: \_\_\_\_\_ PROJECT: \_\_\_\_\_ TYPE: \_\_\_\_\_



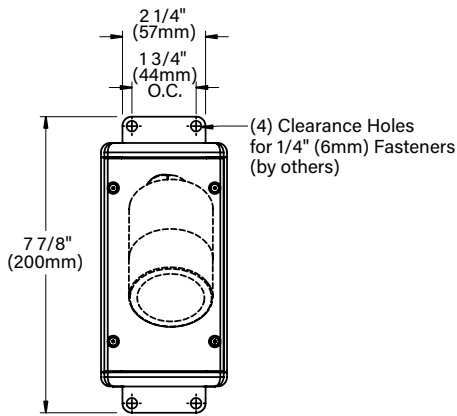
**FRONT VIEW**



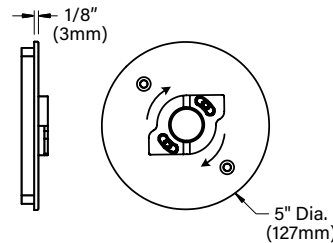
**SIDE VIEW**



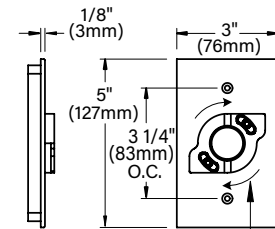
**END VIEW**



**OPTIONAL MOUNTING BRACKET**



**ROUND CAMLOCK CANOPY**

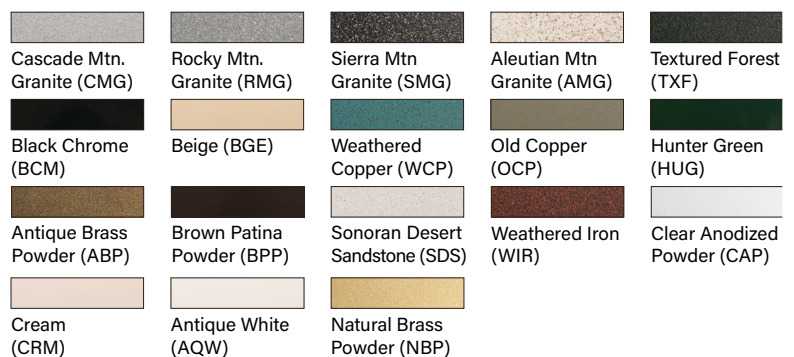


**RECTANGULAR CAMLOCK CANOPY**

**STANDARD FINISHES**



**PREMIUM FINISHES**



[Click Here](#) to view larger, full-color swatches of all available finishes on our website.



DATE:	PROJECT:	TYPE:
-------	----------	-------

ACCESSORIES (Configure separately)

## SPECIFICATIONS

ELECTRICAL	TRe20 ELECTRONIC TRANSFORMER	For use with LED Power of 'e' Systems. [1] 20VA electronic low voltage transformer 105-330VAC primary voltage. 1 watt minimum load. 20 watt maximum load. 50/60Hz. Non-Dimming. 12VDC secondary voltage. >90% Power Factor. >80% Efficiency (under full load). Inrush current limited to <5A max. Thermal shutdown with auto-restart. Overload, short circuit, and open circuit protection.
PHYSICAL	INSTALLATION	Universal design accommodates a single low voltage fixture (specified separately) and permits water-tight installation in four distinct mounting conditions.
	ROUND CAMLOCK CANOPY (RECESSED JUNCTION BOX)	5" diameter, machined aluminum construction. Includes stainless steel universal mounting ring for use with 4" octagonal junction box. [2] tamper-resistant, black oxide stainless steel mounting screws. 1/8" thick HT-805A silicone foam gasket for water-tight seal. Integral CamLock™ provides additional 30° adjustment for precision alignment of UPM regardless of junction box orientation. Integral wiper seal maintains water-tight integrity between UPM and junction box. Optional stainless steel mounting brackets may be specified to provide additional anchor to architectural surface.
	RECTANGULAR CAMLOCK CANOPY (RECESSED JUNCTION BOX)	Machined aluminum, 3" x 5" rectangular canopy for use with single gang junction box. [2] tamper resistant, black oxide stainless steel mounting screws. 1/8" thick HT-805A silicone foam gasket for water-tight seal. Integral CamLock provides additional 30° adjustment for precision alignment of UPM regardless of junction box orientation. Integral wiper seal maintains water-tight integrity between UPM and junction box. Optional stainless steel mounting brackets may be specified to provide additional anchor to architectural surface.
	HOUSING	Copper free, aluminum extrusion with die cast end caps. Surface mounted with flow through back channel to prevent water and debris collection. Machined aluminum cover with countersunk holes for flush hardware installation. Specify offset or center fixture position. Tamperresistant, captive, black oxide stainless steel mounting screws. Front access for ease of installation and inspection. [2] 1/2" NPT female conduit entries per end cap for through wiring.
	INSTALLATION TETHER	Stainless steel cable with integral loop allows cover to temporarily suspend from housing during installation to simplify wire connection and component attachment.
	PATENTED KNOCKOUTS	[4] 1/2" NPT, machined aluminum knockouts. High temperature, silicone 'O' Ring for water-tight seal. Patented design allows knockout to be reinserted without compromising seal integrity.
	FINISH	StarGuard®, our exclusive RoHs compliant, 15 stage chromate-free process cleans and conversion coats aluminum components prior to application of Class 'A' TGIC polyester powder coating. Finish to match fixtures (specified separately).
	WARRANTY	5 year limited warranty.
LISTINGS	NEMA 4X / IP-66 Rated Enclosure. UL Listed. Certified to CAN/CSA/ANSI Standards. RoHs compliant. Made in USA.	

DATE:	PROJECT:	TYPE:
-------	----------	-------

CATALOG NUMBER LOGIC:



**CATALOG NUMBER LOGIC**

Example: PM1 - MU - TRe20 - 1 - BZW

**MATERIAL**

Aluminum

**SERIES**

PM1 - Universal Power Module 1

**MOUNTING**

MU - Monument Mount (with 18" Power Pipe)

**TRANSFORMER TYPE**

TRe20 - TRe20 Electronic Transformer\*

**FIXTURE MOUNTING**

1 - Offset

**FINISH (See page 2 for full-color swatches)**

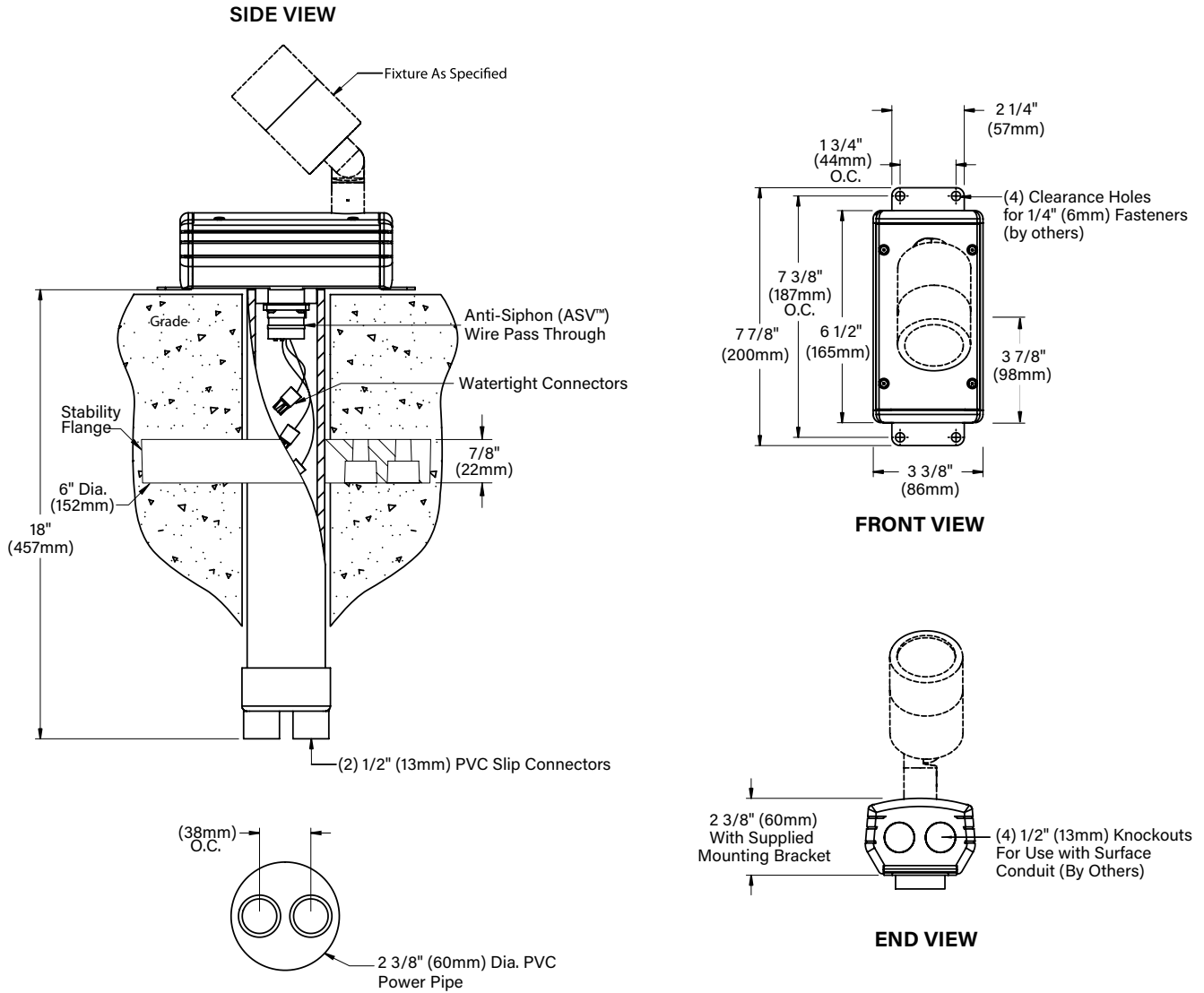
Standard Finishes (BZP, BZW, BLP, BLW, WHP, WHW, SAP, VER)

Premium Finish (ABP, AMG, AQW, BCM, BGE, BPP, CAP, CMG, CRM, HUG, NBP, OCP, RMG, SDS, SMG, TXF, WCP, WIR)

(Also available in RAL Finishes. See submittal SUB-1439-00)

\*For use with LED fixtures. 105-300 VAC. 50/60 Hz. non-dimming.

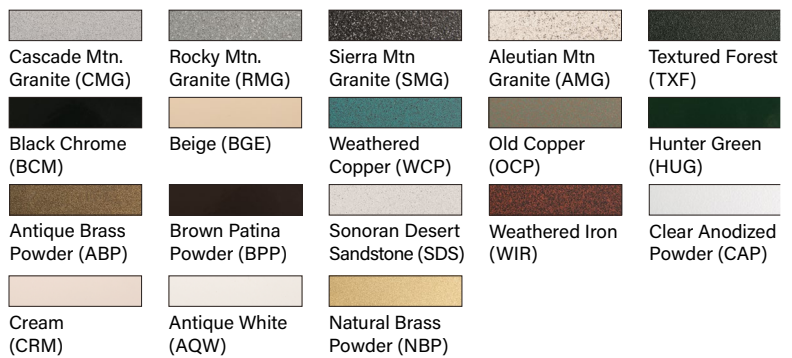
DATE: \_\_\_\_\_ PROJECT: \_\_\_\_\_ TYPE: \_\_\_\_\_



**STANDARD FINISHES**



**PREMIUM FINISHES**



[Click Here](#) to view larger, full-color swatches of all available finishes on our website.

DATE:	PROJECT:	TYPE:
-------	----------	-------

ACCESSORIES (Configure separately)

## SPECIFICATIONS

ELECTRICAL	TRe20 ELECTRONIC TRANSFORMER	For use with LED Power of 'e' Systems. [1] 20VA electronic low voltage transformer 105-330VAC primary voltage. 1 watt minimum load. 20 watt maximum load. 50/60Hz. Non-Dimming. 12VDC secondary voltage. >90% Power Factor. >80% Efficiency (under full load). Inrush current limited to <5A max. Thermal shutdown with auto-restart. Overload, short circuit, and open circuit protection.
PHYSICAL	INSTALLATION	Universal design accommodates a single low voltage fixture (specified separately) and permits water-tight installation in four distinct mounting conditions.
	GROUND / MONUMENT INSTALLATION	For use at grade level with integration of Power Pipe™ System, which provides direct burial wireway into concrete or soil. 6" dia., molded stability flange projects into substrate to simplify installation and reinforce housing stability. [2] 1/2" PVC slip connectors for through wiring. Includes stainless steel mounting brackets for additional anchor to architectural surface. Anti-Siphon Valve (ASV™) prevents "wicking" through conductor insulation. [3] Silicone filled wire nuts supplied for water-tight line connection. Maximum (2) #10 & (1) #18. Minimum (1) #12 & (1) #18.
	HOUSING	Copper free, aluminum extrusion with die cast end caps. Surface mounted with flow through back channel to prevent water and debris collection. Machined aluminum cover with countersunk holes for flush hardware installation. Specify offset or center fixture position. Tamperresistant, captive, black oxide stainless steel mounting screws. Front access for ease of installation and inspection. [2] 1/2" NPT female conduit entries per end cap for through wiring.
	INSTALLATION TETHER	Stainless steel cable with integral loop allows cover to temporarily suspend from housing during installation to simplify wire connection and component attachment.
	PATENTED KNOCKOUTS	[4] 1/2" NPT, machined aluminum knockouts. High temperature, silicone 'O' Ring for water-tight seal. Patented design allows knockout to be reinserted without compromising seal integrity.
	FINISH	StarGuard®, our exclusive RoHs compliant, 15 stage chromate-free process cleans and conversion coats aluminum components prior to application of Class 'A' TGIC polyester powder coating. Finish to match fixtures (specified separately).
	WARRANTY	5 year limited warranty.
LISTINGS	NEMA 4X / IP-66 Rated Enclosure. UL Listed. Certified to CAN/CSA/ANSI Standards. RoHs compliant. Made in USA.	