

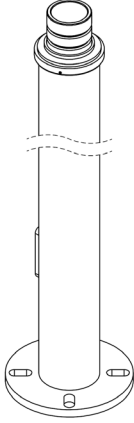
SR5

DATE:

PROJECT:

TYPE:

CATALOG NUMBER LOGIC:



CATALOG NUMBER LOGIC

Example: SR5 - 8

MATERIAL

S - Steel

SERIES

SR5 - 5" Straight Round Pole

POLE HEIGHT

8 - 8'

10 - 10'

12 - 12'

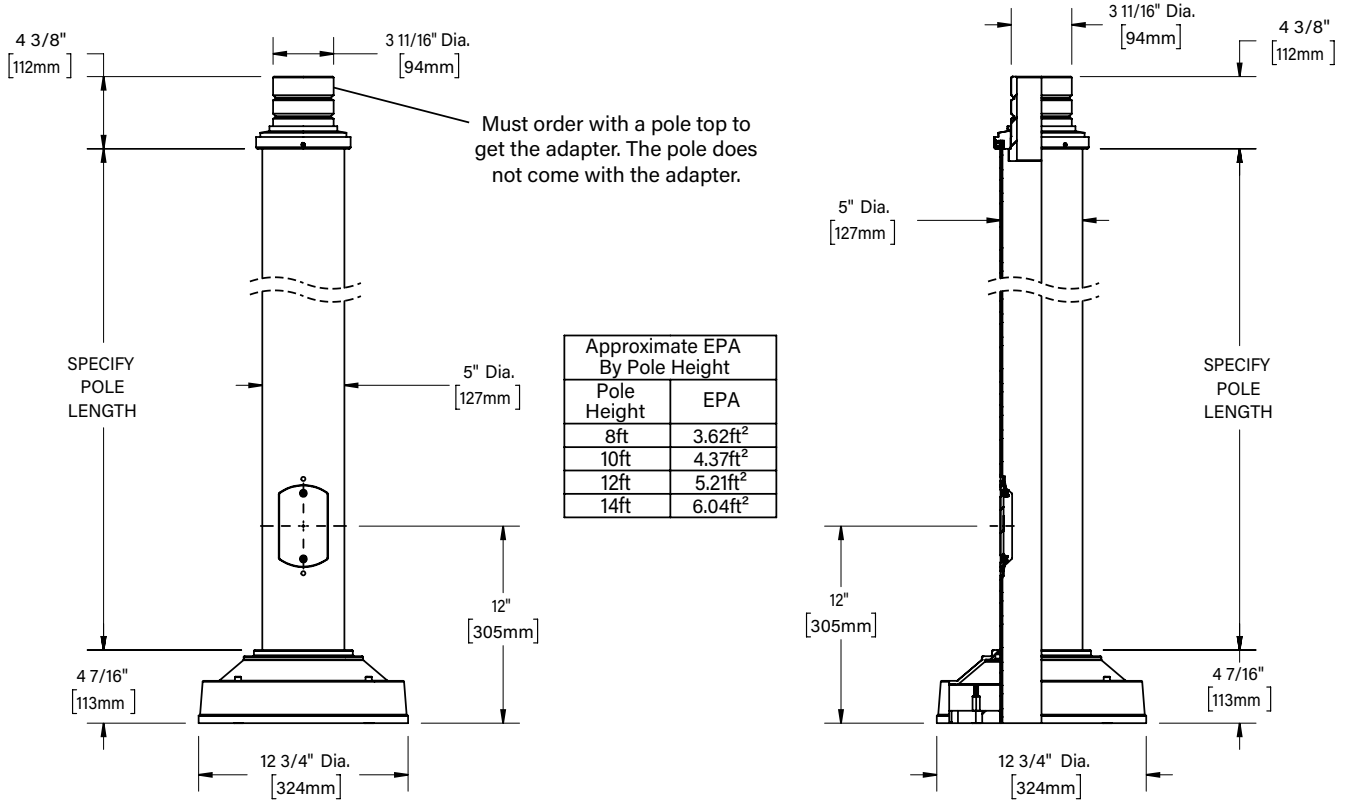
14 - 14'

SR5

DATE:

PROJECT:

TYPE:



SR5

DATE:

PROJECT:

TYPE:

ACCESSORIES (Configure separately)

SPECIFICATIONS

PHYSICAL

MATERIALS

Pole shaft is spun from seamless alloy steel. Tapers from 5" to 3" OD.

ANCHOR BASE

The hinged anchor base is cast from 356 alloy steel. The completed assembly is heat-treated to a T6 temper. Steel 2-piece cover is included.

ANCHOR KIT

Anchor bolts conform to AASTM F1554 Grade 55 and are provided with two hex nuts and two flat washers. Bolts have an 'L' bend on one end and are galvanized a minimum of 12" on the threaded end.

WARRANTY

5 year limited warranty.

*When ordered with a TEKA Pole Top an adapter will be supplied by the factory to insure proper fitment.

TEKA ILLUMINATION

MADE IN THE USA

559.438.5800 | INFO@TEKAILLUMINATION.COM | TEKAILLUMINATION.COM

THIS DOCUMENT CONTAINS PROPRIETARY INFORMATION OF TEKA ILLUMINATION AND ITS RECEIPT OR POSSESSION DOES NOT CONVEY ANY RIGHTS TO REPRODUCE, DISCLOSE ITS CONTENTS, OR TO MANUFACTURE, USE OR SELL ANYTHING IT MAY DESCRIBE. REPRODUCTION, DISCLOSURE OR USE WITHOUT SPECIFIC WRITTEN AUTHORIZATION OF TEKA ILLUMINATION IS STRICTLY FORBIDDEN.

07/28/2022 SKU-125
SUB-2849-00