

DATE:	PROJECT:	TYPE:
-------	----------	-------

CATALOG NUMBER LOGIC:



CATALOG NUMBER LOGIC

Example: PM1RM - TS-18 - TRe20 - BZW - MB

MATERIAL

Aluminum

SERIES

PM1 - Universal Power Module 1 Remote

MOUNTING

TS-Length - Tree Strap (Specify adjustable strap length) 18" Standard Min.

TRANSFORMER TYPE

TRe20 - TRe20 Electronic Transformer*

FINISH (See page 2 for full-color swatches)

Standard Finishes (BZP, BZW, BLP, BLW, WHP, WHW, SAP, VER)

Premium Finish (ABP, AMG, AQW, BCM, BGE, BPP, CAP, CMG, CRM, HUG, NBP, OCP, RMG, SDS, SMG, TXF, WCP, WIR)

(Also available in RAL Finishes. See submittal SUB-1439-00)

OPTIONS

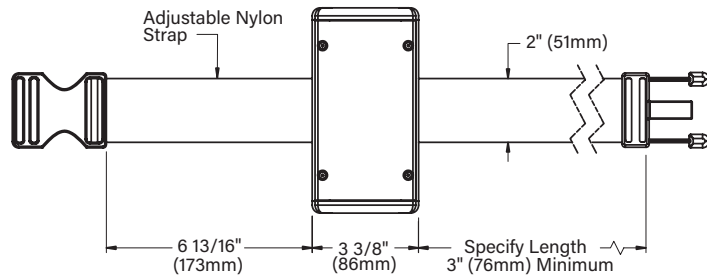
SC - Safety Cable for use with Tree Strap Mount. Cable length to match strap length. 18" Standard Min.

MB - Mounting Brackets (Standard on Surface Mount and Monument Mount)

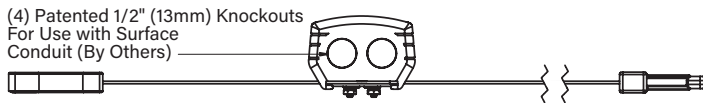
*For use with LED fixtures. 105-300 VAC. 50/60 Hz. non-dimming.

DATE: _____ PROJECT: _____ TYPE: _____

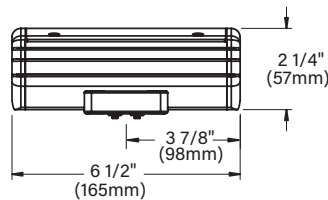
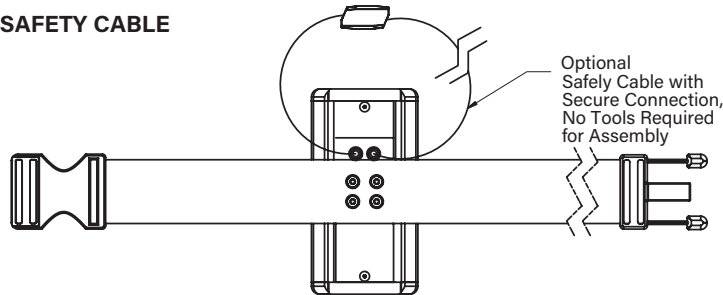
FRONT VIEW



END VIEW



SAFETY CABLE



SIDE VIEW

⚠ REMOTE WIRING

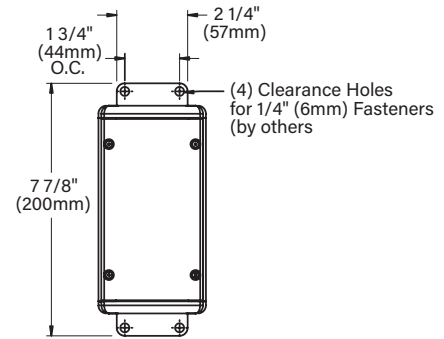
Electronic Transformer

Remote transformer installations require interconnected wiring between the lamp and transformer (by others). Electronic transformers have specific wiring requirements between these components. Transformer manufacturers regularly recommend the following wiring details for such installations:

- Do not exceed 8 foot overall wiring distance using 12 gauge copper wire.

Please consult the factory through your local B-K Lighting Sales Representative prior to finalizing any installation detail utilizing remote transformer wiring.

Failure to comply with specific wiring requirements will void product warranty.

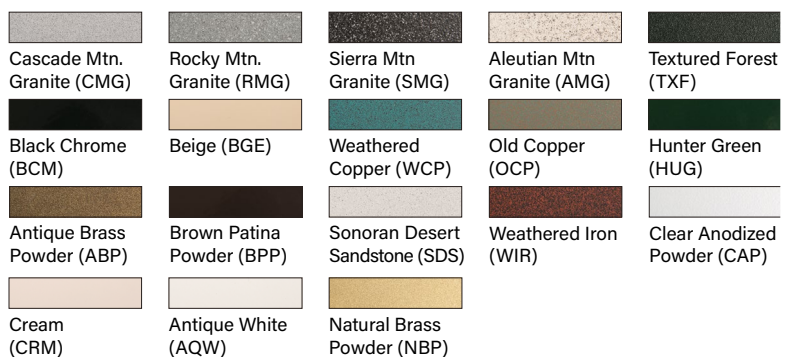


OPTIONAL MOUNTING BRACKET

STANDARD FINISHES



PREMIUM FINISHES



[Click Here](#) to view larger, full-color swatches of all available finishes on our website.

DATE:	PROJECT:	TYPE:
-------	----------	-------

ACCESSORIES (Configure separately)

SPECIFICATIONS

ELECTRICAL	TRe20 ELECTRONIC TRANSFORMER	For use with LED Power of 'e' Systems. [1] 20VA electronic low voltage transformer 105-330VAC primary voltage. 1 watt minimum load. 20 watt maximum load. 50/60Hz. Non-Dimming. 12VDC secondary voltage. >90% Power Factor. >80% Efficiency (under full load). Inrush current limited to <5A max. Thermal shutdown with auto-restart. Overload, short circuit, and open circuit protection.
PHYSICAL	<p>INSTALLATION</p> <p>TREE INSTALLATION</p> <p>HOUSING</p> <p>INSTALLATION TETHER</p> <p>PATENTED KNOCKOUTS</p> <p>FINISH</p> <p>WARRANTY</p> <p>LISTINGS</p>	<p>Universal design for remote low voltage fixtures (specified separately) Water-tight installation in three distinct mounting conditions.</p> <p>Tree Strap mounting system facilitates non-invasive installation. Adjustable nylon strap is mold and mildew resistant and will not hinder tree growth. Optional stainless steel safety cable maintains UPM mounting when nylon strap is disengaged.</p> <p>Copper free, aluminum extrusion with die cast end caps. Surface mounted with flow through back channel to prevent water and debris collection. Machined aluminum cover with countersunk holes for flush hardware installation. Tamper-resistant, captive, black oxide stainless steel mounting screws. Front access for ease of installation and inspection. [2] 1/2" NPT female conduit entries per end cap for through wiring.</p> <p>Stainless steel cable with integral loop allows cover to temporarily suspend from housing during installation to simplify wire connection and component attachment.</p> <p>[4] 1/2" NPT, machined aluminum knockouts. High temperature, silicone 'O' Ring for water-tight seal. Patented design allows knockout to be reinserted without compromising seal integrity.</p> <p>StarGuard®, our exclusive RoHs compliant, 15 stage chromate-free process cleans and conversion coats aluminum components prior to application of Class 'A' TGIC polyester powder coating.</p> <p>5 year limited warranty.</p> <p>NEMA 4X / IP-66 Rated Enclosure. UL Listed. Certified to CAN/CSA/ANSI Standards. RoHs compliant. Made in USA.</p>



DATE:	PROJECT:	TYPE:
-------	----------	-------

CATALOG NUMBER LOGIC:



CATALOG NUMBER LOGIC

Example: PM1RM - TS-18 - TRe20 - BZW - MB

MATERIAL

Aluminum

SERIES

PM1 - Universal Power Module 1 Remote

MOUNTING

SM - Surface Mount

TRANSFORMER TYPE

TRe20 - TRe20 Electronic Transformer*

FINISH (See page 2 for full-color swatches)

Standard Finishes (BZP, BZW, BLP, BLW, WHP, WHW, SAP, VER)

Premium Finish (ABP, AMG, AQW, BCM, BGE, BPP, CAP, CMG, CRM, HUG, NBP, OCP, RMG, SDS, SMG, TXF, WCP, WIR)

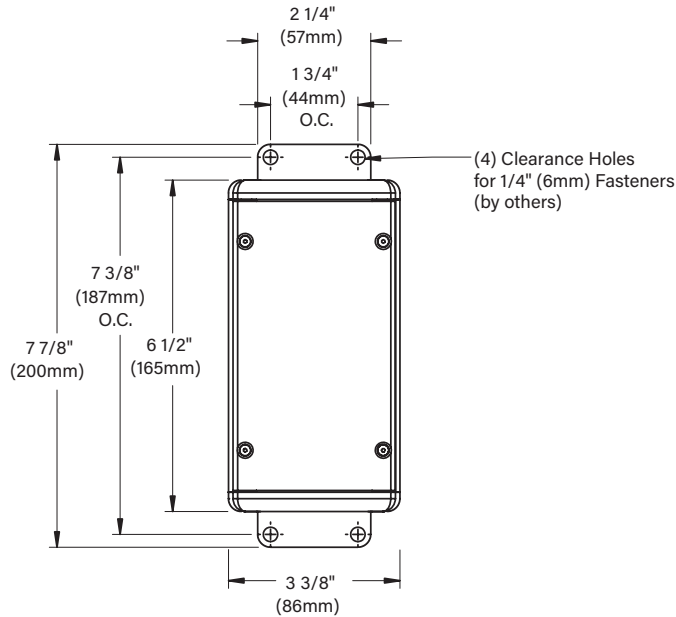
(Also available in RAL Finishes. See submittal SUB-1439-00)

**For use with LED fixtures. 105-300 VAC. 50/60 Hz. non-dimming.*

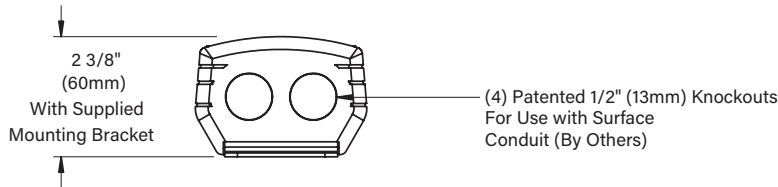
DATE:

PROJECT:

TYPE:



FRONT VIEW



END VIEW

⚠ REMOTE WIRING

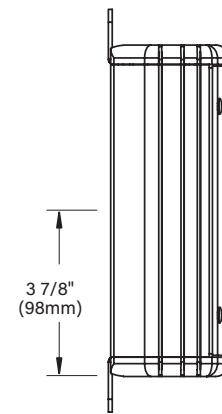
Electronic Transformer

Remote transformer installations require interconnected wiring between the lamp and transformer (by others). Electronic transformers have specific wiring requirements between these components. Transformer manufacturers regularly recommend the following wiring details for such installations:

- Do not exceed 8 foot overall wiring distance using 12 gauge copper wire.

Please consult the factory through your local B-K Lighting Sales Representative prior to finalizing any installation detail utilizing remote transformer wiring.

Failure to comply with specific wiring requirements will void product warranty.

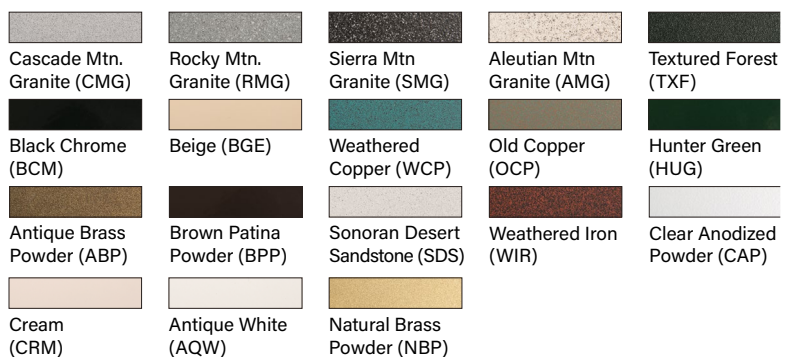


SIDE VIEW

STANDARD FINISHES



PREMIUM FINISHES



[Click Here](#) to view larger, full-color swatches of all available finishes on our website.

DATE:	PROJECT:	TYPE:
-------	----------	-------

ACCESSORIES (Configure separately)

SPECIFICATIONS

ELECTRICAL	TRe20 ELECTRONIC TRANSFORMER	For use with LED Power of 'e' Systems. [1] 20VA electronic low voltage transformer 105-330VAC primary voltage. 1 watt minimum load. 20 watt maximum load. 50/60Hz. Non-Dimming. 12VDC secondary voltage. >90% Power Factor. >80% Efficiency (under full load). Inrush current limited to <5A max. Thermal shutdown with auto-restart. Overload, short circuit, and open circuit protection.
PHYSICAL	INSTALLATION	Universal design for remote low voltage fixtures (specified separately) Water-tight installation in three distinct mounting conditions.
	SURFACE MOUNT	For use with side entry, surface conduits. Stainless steel mounting brackets provide for direct anchor to architectural surfaces in any orientation.
	HOUSING	Copper free, aluminum extrusion with die cast end caps. Surface mounted with flow through back channel to prevent water and debris collection. Machined aluminum cover with countersunk holes for flush hardware installation. Tamper-resistant, captive, black oxide stainless steel mounting screws. Front access for ease of installation and inspection. [2] 1/2" NPT female conduit entries per end cap for through wiring.
	INSTALLATION TETHER	Stainless steel cable with integral loop allows cover to temporarily suspend from housing during installation to simplify wire connection and component attachment.
	PATENTED KNOCKOUTS	[4] 1/2" NPT, machined aluminum knockouts. High temperature, silicone 'O' Ring for water-tight seal. Patented design allows knockout to be reinserted without compromising seal integrity.
	FINISH	StarGuard®, our exclusive RoHs compliant, 15 stage chromate-free process cleans and conversion coats aluminum components prior to application of Class 'A' TGIC polyester powder coating.
	WARRANTY	5 year limited warranty.
	LISTINGS	NEMA 4X / IP-66 Rated Enclosure. UL Listed. Certified to CAN/CSA/ANSI Standards. RoHs compliant. RoHs compliant. Made in USA.

DATE:	PROJECT:	TYPE:
-------	----------	-------

CATALOG NUMBER LOGIC:



CATALOG NUMBER LOGIC

Example: PM1RM - CR - TRe20 - BZW - MB

MATERIAL

Aluminum

SERIES

PM1 - Universal Power Module 1 Remote

MOUNTING

CR - Round Camlock Canopy (Recessed Junction Box)

CT - Rectangular Camlock Canopy (Recessed Junction Box)

TRANSFORMER TYPE

TRe20 - TRe20 Electronic Transformer*

FINISH (See page 2 for full-color swatches)

Standard Finishes (BZP, BZW, BLP, BLW, WHP, WHW, SAP, VER)

Premium Finish (ABP, AMG, AQW, BCM, BGE, BPP, CAP, CMG, CRM, HUG, NBP, OCP, RMG, SDS, SMG, TXF, WCP, WIR)

(Also available in RAL Finishes. See submittal SUB-1439-00)

OPTIONS

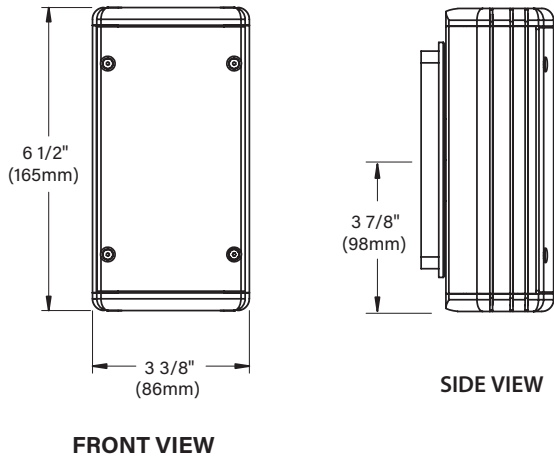
MB - Mounting Brackets (Standard on Surface Mount and Monument Mount)

*For use with LED fixtures. 105-300 VAC. 50/60 Hz. non-dimming.

DATE:

PROJECT:

TYPE:



⚠ REMOTE WIRING

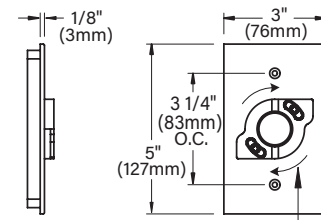
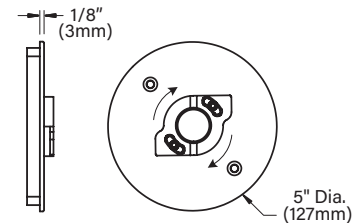
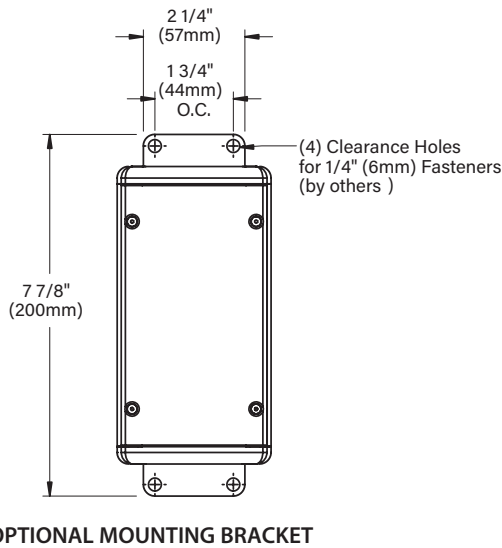
Electronic Transformer

Remote transformer installations require inter-connected wiring between the lamp and transformer (by others). Electronic transformers have specific wiring requirements between these components. Transformer manufacturers regularly recommend the following wiring details for such installations:

- Do not exceed 8 foot overall wiring distance using 12 gauge copper wire.

Please consult the factory through your local B-K Lighting Sales Representative prior to finalizing any installation detail utilizing remote transformer wiring.

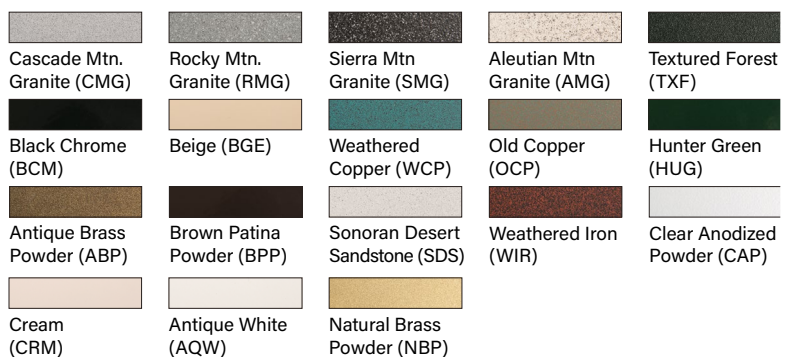
Failure to comply with specific wiring requirements will void product warranty.



STANDARD FINISHES



PREMIUM FINISHES



[Click Here](#) to view larger, full-color swatches of all available finishes on our website.

DATE:	PROJECT:	TYPE:
-------	----------	-------

ACCESSORIES (Configure separately)

SPECIFICATIONS

ELECTRICAL	TRe20 ELECTRONIC TRANSFORMER	For use with LED Power of 'e' Systems. [1] 20VA electronic low voltage transformer 105-330VAC primary voltage. 1 watt minimum load. 20 watt maximum load. 50/60Hz. Non-Dimming. 12VDC secondary voltage. >90% Power Factor. >80% Efficiency (under full load). Inrush current limited to <5A max. Thermal shutdown with auto-restart. Overload, short circuit, and open circuit protection.
PHYSICAL	INSTALLATION	Universal design for remote low voltage fixtures (specified separately) Water-tight installation in three distinct mounting conditions.
	ROUND CAMLOCK CANOPY (RECESSED JUNCTION BOX)	5" diameter, machined aluminum construction. Includes stainless steel universal mounting ring for use with 4" octagonal junction box. [2] tamper-resistant, black oxide stainless steel mounting screws. 1/8" thick HT-805A silicone foam gasket for water-tight seal. Integral CamLock provides additional 30° adjustment for precision alignment of UPM regardless of junction box orientation. Integral wiper seal maintains water-tight integrity between UPM and junction box. Optional stainless steel mounting brackets may be specified to provide additional anchor to architectural surface.
	RECTANGULAR CAMLOCK CANOPY (RECESSED JUNCTION BOX)	Machined aluminum, 3" x 5" rectangular canopy for use with single gang junction box. [2] tamper resistant, black oxide stainless steel mounting screws. 1/8" thick HT-805A silicone foam gasket for water-tight seal. Integral CamLock™ provides additional 30° adjustment for precision alignment of UPM regardless of junction box orientation. Integral wiper seal maintains water-tight integrity between UPM and junction box. Optional stainless steel mounting brackets may be specified to provide additional anchor to architectural surface.
	HOUSING	Copper free, aluminum extrusion with die cast end caps. Surface mounted with flow through back channel to prevent water and debris collection. Machined aluminum cover with countersunk holes for flush hardware installation. Tamper-resistant, captive, black oxide stainless steel mounting screws. Front access for ease of installation and inspection. [2] 1/2" NPT female conduit entries per end cap for through wiring.
	INSTALLATION TETHER	Stainless steel cable with integral loop allows cover to temporarily suspend from housing during installation to simplify wire connection and component attachment.
	PATENTED KNOCKOUTS	[4] 1/2" NPT, machined aluminum knockouts. High temperature, silicone 'O' Ring for water-tight seal. Patented design allows knockout to be reinserted without compromising seal integrity.
	FINISH	StarGuard®, our exclusive RoHs compliant, 15 stage chromate-free process cleans and conversion coats aluminum components prior to application of Class 'A' TGIC polyester powder coating.
	WARRANTY	5 year limited warranty.
LISTINGS	NEMA 4X / IP-66 Rated Enclosure. UL Listed. Certified to CAN/CSA/ANSI Standards. RoHs compliant. RoHs compliant. Made in USA.	

TEKA ILLUMINATION

MADE IN THE USA

559.438.5800 | INFO@TEKAILLUMINATION.COM | TEKAILLUMINATION.COM