

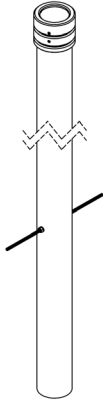
SP3

DATE:

PROJECT:

TYPE:

CATALOG NUMBER LOGIC:



CATALOG NUMBER LOGIC

Example: SP3 - 7 - NAT - CLR

MATERIAL

C - Copper

SERIES

SP3 - 3" Straight Copper Post

POLE HEIGHT

6 - 6'

7 - 7'

FINISH (See page 2 for full-color swatches)

NAT - Natural

BP - Brown Patina

GP - Green Patina

OPTION

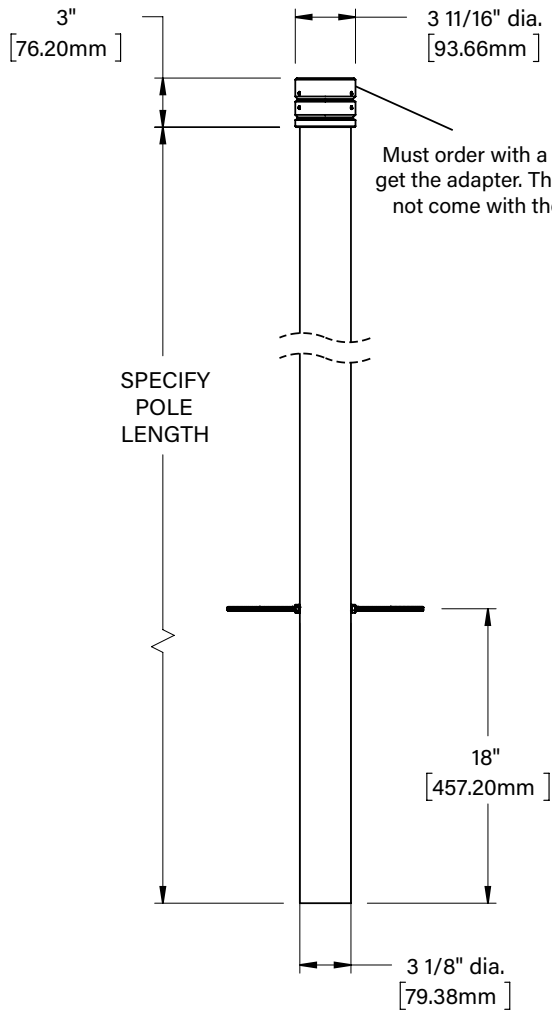
CLR - Clear Coat Protection

SP3

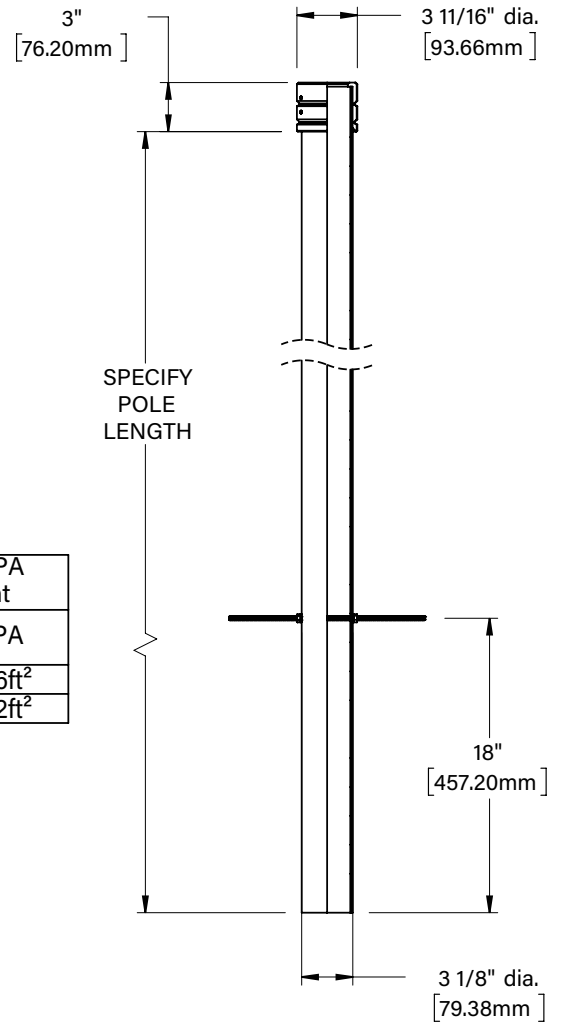
DATE:

PROJECT:

TYPE:



Approximate EPA By Pole Height	
Pole Height	EPA
6ft	1.56ft ²
7ft	1.82ft ²



COPPER FINISH



Natural Copper (NAT)



Brown Patina (BP)



Green Patina (GP)

SP3

DATE:

PROJECT:

TYPE:

ACCESSORIES (Configure separately)

SPECIFICATIONS

PHYSICAL	MATERIALS	Post is made from 3-1/8" OD x 1/8" Wall Type K Copper Tube. An additional 36" of length is provided on all posts for below grade anchorage.
	INSTALLATION	Intended for direct burial in a concrete footing with the provided anchor rod. Field wiring must be continuous within the post and be pulled to the top of the post for splicing and connection to a luminaire. Post may be directly stubbed into through footing with conduit.
	WARRANTY	5 year limited warranty.
		*When ordered with a TEKA Pole Top an aluminum adapter will be supplied by the factory to insure proper fitment.

TEKA ILLUMINATION

MADE IN THE USA

559.438.5800 | INFO@TEKAILLUMINATION.COM | TEKAILLUMINATION.COM

THIS DOCUMENT CONTAINS PROPRIETARY INFORMATION OF TEKA ILLUMINATION AND ITS RECEIPT OR POSSESSION DOES NOT CONVEY ANY RIGHTS TO REPRODUCE, DISCLOSE ITS CONTENTS, OR TO MANUFACTURE, USE OR SELL ANYTHING IT MAY DESCRIBE. REPRODUCTION, DISCLOSURE OR USE WITHOUT SPECIFIC WRITTEN AUTHORIZATION OF TEKA ILLUMINATION IS STRICTLY FORBIDDEN.

07/28/2022 SKU-126
SUB-2848-00