

DATE:	PROJECT:	TYPE:
-------	----------	-------

CATALOG NUMBER LOGIC:



CATALOG NUMBER LOGIC

Example: SMC - BZW

MATERIAL

(Blank) - Aluminum B - Brass

MOUNTING CANOPIES

SMC-Finish - 2-5/8" dia. Round, Machined Surface Mount Canopy

FINISH (See page 2 for full-color swatches)

Standard Finishes (BZP, BZW, BLP, BLW, WHP, WHW, SAP, VER)

Premium Finish (ABP, AMG, AQW, BCM, BGE, BPP, CAP, CMG, CRM, HUG, NBP, OCP, RMG, SDS, SMG, TXF, WCP, WIR)

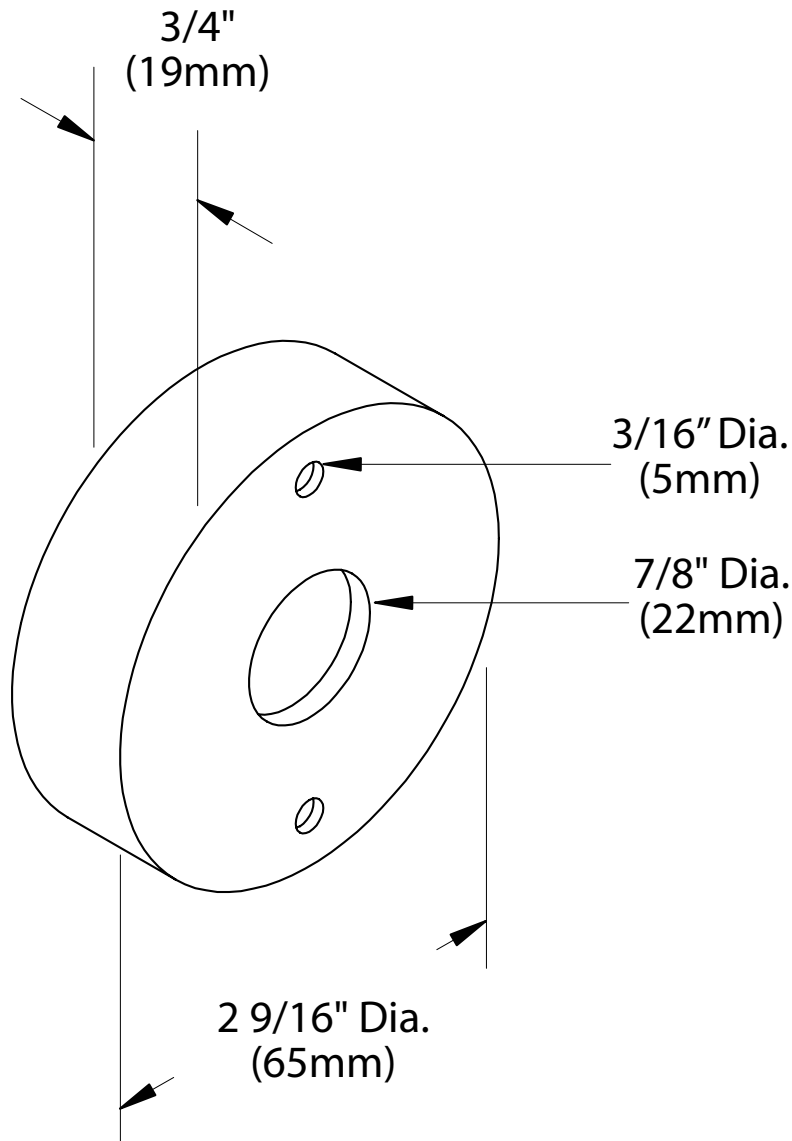
Also available in RAL Finishes

Brass Finishes (NAT, BP, GP, POL)

DATE:

PROJECT:

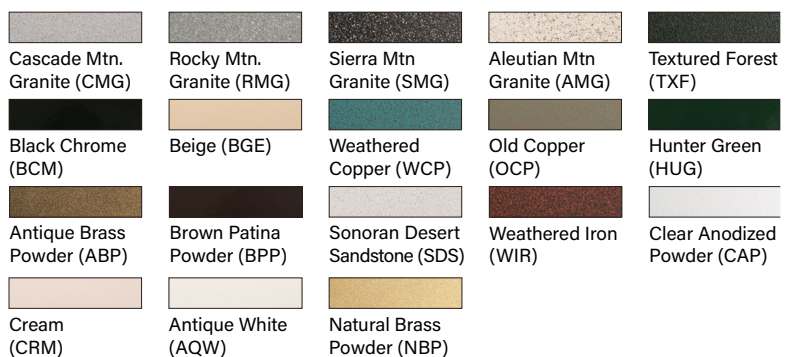
TYPE:



STANDARD FINISHES



PREMIUM FINISHES



[Click Here](#) to view larger, full-color swatches of all available finishes on our website.

DATE:	PROJECT:	TYPE:
-------	----------	-------

ACCESSORIES (Configure separately)

SPECIFICATIONS

<p>PHYSICAL</p>	<p>MATERIALS</p> <p>CANOPY</p> <p>INSTALLATION</p> <p>FINISH</p> <p>WARRANTY</p> <p>CERTIFICATION & LISTING</p>	<p>Furnished in copper-free aluminum (6061-T6) or brass (360).</p> <p>2 9/16" diameter canopy. Machined from solid billet with chamfered edge. 7/8" dia. slip hole for use with 1/2" I.P. threaded nipple.</p> <p>Machined canopy with two (2) 3/16" anchor bolt holes (hardware by others).</p> <p>StarGuard, our 15-stage chromate-free process cleans and conversion coats aluminum components prior to application of Class 'A' TGIC polyester powder coating and is RoHS compliant. Powder coat or metal finish options available for brass material and metal finish option only for stainless steel material.</p> <p>5-year limited warranty.</p> <p>Suitable for indoor or outdoor use. RoHS Compliant. Made in USA with sustainable processes.</p>
-----------------	---	---

