

DATE: \_\_\_\_\_ PROJECT: \_\_\_\_\_ TYPE: \_\_\_\_\_

CATALOG NUMBER LOGIC:



\*Finish to match fixture.

\*\*Eliminates glow in window above shade. Finish to match fixture.

**CATALOG NUMBER LOGIC**

Example: LBW - 1 - SD27 - LED - x44 - BW - BZP - A - DT - TR5 - 12 - 010 - MT

**MATERIAL**

Aluminum

**SERIES**

LBW - LBW Pole Mount

**MOUNTING**

1 - Single LBW

2 - Dual LBW

**STYLE**

SD27 - 27 Inch Shade

**SOURCE**

LED - Chip on Board (COB) Technology

**LED TYPE**

x43 - 34W LED/2700K x46 - 42W LED/2700K x49 - 57W LED/2700K

x44 - 34W LED/3000K x47 - 42W LED/3000K x50 - 57W LED/3000K

x45 - 34W LED/4000K x48 - 42W LED/4000K x51 - 57W LED/4000K

**OPTIC**

BW - Batwing

**FIXTURE FINISH (See page 2 for full-color swatches)**

Standard Finishes (BZP, BZW, BLP, BLW, WHP, WHW, SAP, VER)

Premium Finish (ABP, AMG, AQW, BCM, BGE, BPP, CAP, CMG, CRM, HUG, NBP, OCP, RMG, SDS, SMG, TXF, WCP, WIR)

(Also available in RAL Finishes. See submittal SUB-1439-00)

**RINGS**

A - Aluminum\*

**ACCESSORIES (Select one)**

DT - Dark Top \*\*

HS - House Side Shield\*

MSH - Mesh Screen\*

**POLE**

TR5 - 5" Tapered Round Pole

**HEIGHT**

12 - 12 Foot

14 - 14 Foot

16 - 16 Foot

18 - 18 Foot

20 - 20 Foot

**CONTROL TYPE**

010 - 0-10V Dimming Driver

**INPUT VOLTAGE**

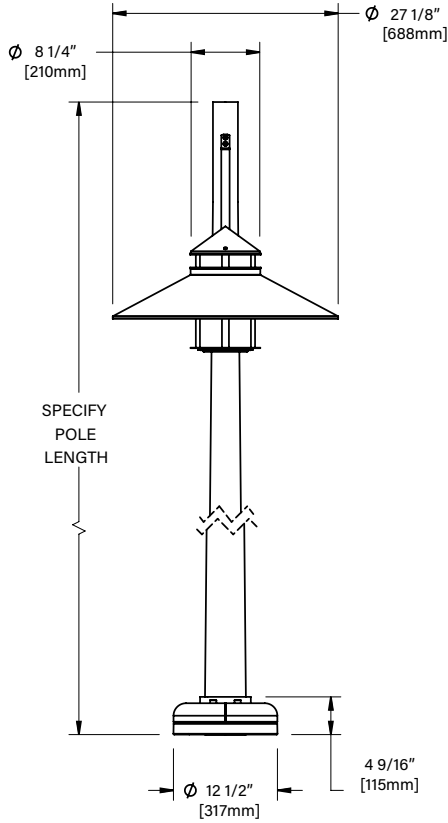
MT - 120-277 VAC Input

DATE:

PROJECT:

TYPE:

**FRONT VIEW**



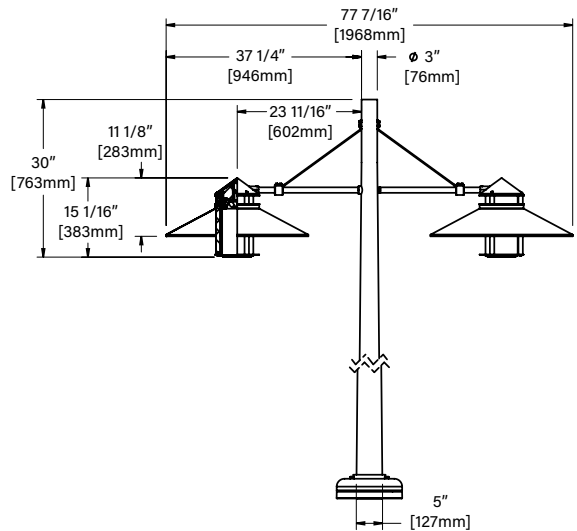
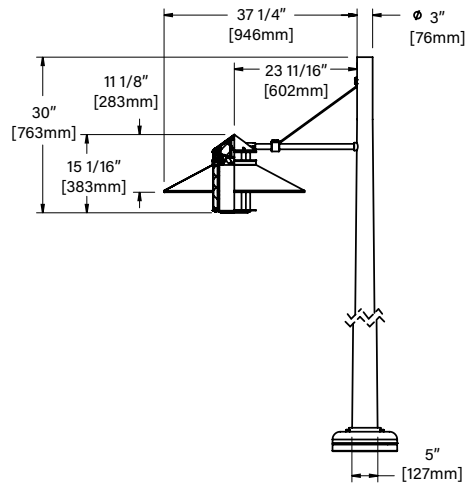
**SINGLE MOUNTING**

Approximate EPA By Pole Height	
Pole Height	EPA
12ft	5.32ft <sup>2</sup>
14ft	5.98ft <sup>2</sup>
16ft	6.65ft <sup>2</sup>
18ft	7.32ft <sup>2</sup>
20ft	7.98ft <sup>2</sup>

**DUAL MOUNTING**

Approximate EPA By Pole Height	
Pole Height	EPA
12ft	6.62ft <sup>2</sup>
14ft	7.28ft <sup>2</sup>
16ft	7.95ft <sup>2</sup>
18ft	8.61ft <sup>2</sup>
20ft	9.28ft <sup>2</sup>

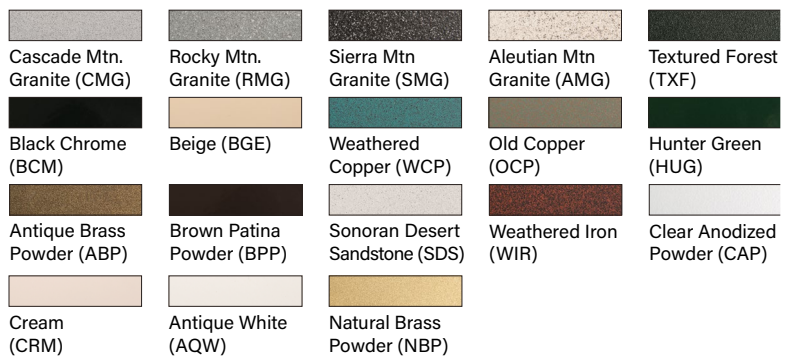
**SIDE VIEW**



**STANDARD FINISHES**



**PREMIUM FINISHES**



[Click Here](#) to view larger, full-color swatches of all available finishes on our website.

DATE:	PROJECT:	TYPE:
-------	----------	-------

ACCESSORIES (Configure separately)

## SPECIFICATIONS

ELECTRICAL	WATTAGE	34W, 42W, or 57W (SINGLE OR DOUBLE)
	LED	Integrated solid state system with COB technology is scalable for field upgrade. Modular design with electrical quick disconnects permit field maintenance. Minimum 50,000 hour rated life at 70% of initial lumens (L70). LED technology provides long life, significant energy reduction and exceptional thermal management.
	COLOR MANAGEMENT	COB technology delivers natural white light. Exact color point conformity exceeds ANSI C78.377 standard. Module exceeds 80 CRI (RA>80, R9.16). Color point uniformity 2 SDCM color control for 2700K-4000K CCT.
	WIRING DRIVER	Tefzel™ coated wire, 18AWG, 600V, 150° C rated and certified to UL 1569 standard. 1.05A (D34,D42) or 1.4A (D57), class A, constant current driver. 120-277VAC (nominal) primary input voltage, 50/60Hz. >0.90 power factor, <15.0A in-rush current, ≤20% THD (nominal at 120VAC full load). Output overvoltage, over-current, and short circuit protection with auto recovery. EMC; FCC47CFT part 15 class B compliant. Dimming driver for use with standard 0-10V dimmers and switch controls. D34 or D42 - 1-100% range (refer to driver electrical data). D57 - 10-100% dimming range.
PHYSICAL	MATERIALS	Constructed from Copper-Free aluminum (Type 6061-T6).
	SHADE	27" Shade Hand spun from high purity 16GA ASTM 3003-H14 Aluminum.
	BODY	Cast 360 Aluminum. High Temperature Gasket provides water tight seal to Lens Compartment.
	LENS	6" dia. frosted acrylic lens with frosted acrylic downlight lens provides sealed optical compartment.
	RINGS	6061-T6 Aluminum Ring.
	MESH SCREEN	Diffuses light in window. Finish to match fixture.
	DARK TOP	Eliminates glow in window above shade. Finish to match fixture.
	POLE	Pole shaft is spun from seamless alloy aluminum. Tapers from 5" to 3" OD.
	ANCHOR BASE	The hinged anchor base is cast from 356 alloy aluminum. The completed assembly is heat-treated to a T6 temper. Aluminum 2-piece cover is included.
	ANCHOR KIT	Anchor bolts conform to ASSTTM F1554 Grade 55 and are provided with two hex nuts and two flat washers. Bolts have an 'L' bend on one end and are galvanized a minimum of 12" on the threaded end.
	FINISH	StarGuard®, our exclusive RoHs compliant, 15 stage chromate-free process cleans and conversion coats aluminum components prior to application of Class 'A' TGIC polyester powder coating.
	WARRANTY	5 year limited warranty.
	LISTINGS	UL tested to IESNA LM-79. UL Listed. Certified to CAN/CSA/ANSI Standards. RoHs compliant. Suitable for indoor or outdoor use. Suitable for use in wet locations. Additionally suitable for installation within 4' of the ground. IP65 Rated. Made in USA.

# LAMP & DRIVER DATA (x43 - x51)

DATE:

PROJECT:

TYPE:

## DRIVER ELECTRICAL DATA

LED Type	AC Input Range	Frequency Hz	Power Factor At Full Load (Efficiency)	THD	InRush Current	Operating Current	Operation Ambient Temperature	Dimmer Type	Dimmer Range
x43 - x45	120-277VAC	50/60	> 0.9	<20%	30mA <sup>2</sup> s @ 277v	1050mA	-30° C ~ 50°C	0-10	1-100%
x46 - x48	120-277VAC	50/60	> 0.9	<20%	30mA <sup>2</sup> s @ 277v	1050mA	-30° C ~ 50°C	0-10	1-100%
x49 - x51	100-277VAC	50/60	> 0.9	<20%	50A max @ 277v	1050mA	-30° C to + 85°C	0-10	10-100%

**TEKA ILLUMINATION**

**MADE IN THE USA**

559.438.5800 | [INFO@TEKAILLUMINATION.COM](mailto:INFO@TEKAILLUMINATION.COM) | [TEKAILLUMINATION.COM](http://TEKAILLUMINATION.COM)

THIS DOCUMENT CONTAINS PROPRIETARY INFORMATION OF TEKA ILLUMINATION AND ITS RECEIPT OR POSSESSION DOES NOT CONVEY ANY RIGHTS TO REPRODUCE, DISCLOSE ITS CONTENTS, OR TO MANUFACTURE, USE OR SELL ANYTHING IT MAY DESCRIBE. REPRODUCTION, DISCLOSURE OR USE WITHOUT SPECIFIC WRITTEN AUTHORIZATION OF TEKA ILLUMINATION IS STRICTLY FORBIDDEN.