

TR SERIES (MAGNETIC TRANSFORMER)

DATE: _____ PROJECT: _____ TYPE: _____

CATALOG NUMBER LOGIC:



CATALOG NUMBER LOGIC

Example: TR150 - 120

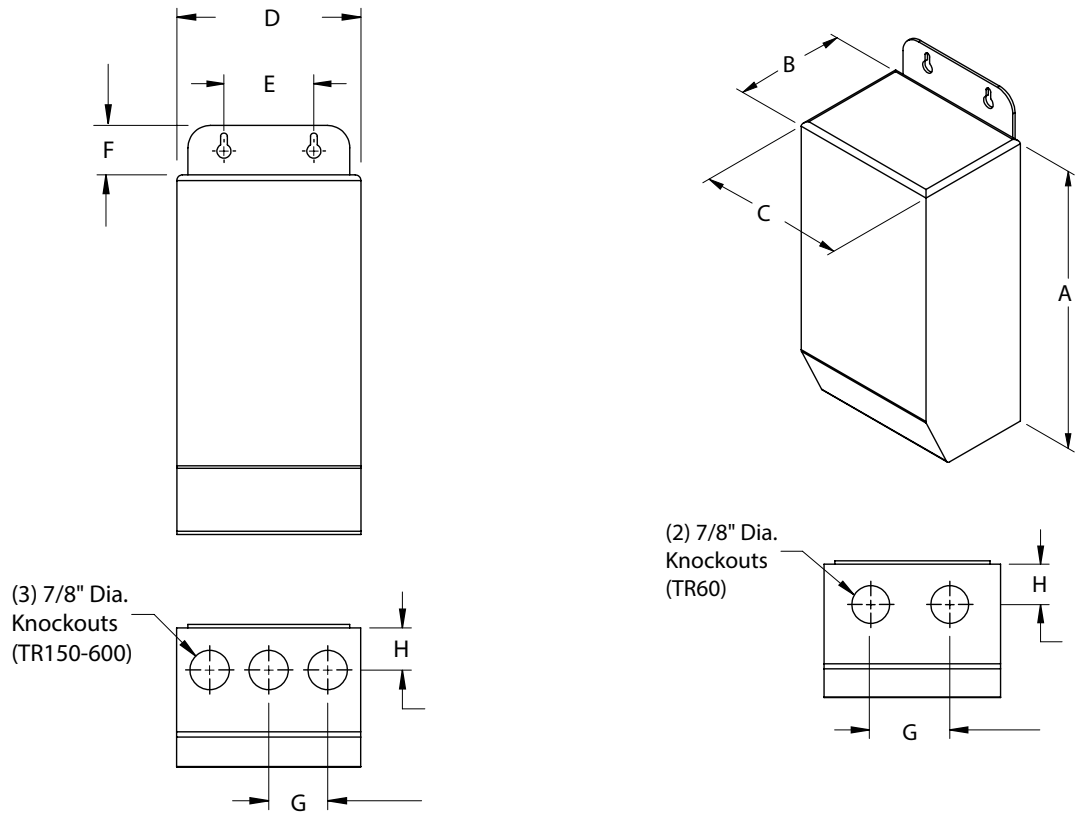
SERIES

- TR60 - 60W Magnetic Transformer
- TR150 - 150W Magnetic Transformer
- TR300 - 300W Magnetic Transformer
- TR600 - 600W Magnetic Transformer

INPUT VOLTAGE

- 120 - 120 Volt
- 277 - 277 Volt

DIMENSIONS



TR SERIES (MAGNETIC TRANSFORMER)

DATE:	PROJECT:	TYPE:
-------	----------	-------

ACCESSORIES (Configure separately)

SPECIFICATIONS

ELECTRICAL	TRANSFORMER	Fully encapsulated, Class B insulated, low voltage magnetic transformer. 120VAC or 277VAC input. 12VAC output (fully loaded), 0.6A (120VAC) or 0.3A (277VAC) maximum no load input current. Manual thermal reset. Secondary circuit breaker. Enclosure temperature <65° C when fully loaded (in 40° C ambient). For LED sourced products, do not exceed more than 80% of the maximum load of the transformer.
	OUTPUT WIRING	See B-K Lighting Low Voltage Design Guide on reverse.
PHYSICAL	HOUSING	Stainless steel, NEMA Outdoor 3R rated enclosure. [2] (TR60) or [3] (TR150-600) bottom entry 7/8" knockouts provide access to wiring compartment. Riveted, hinged cover opens vertically from bottom to top for service access.
	WARRANTY	Limited five year warranty.
	CERTIFICATION & LISTINGS	Nema Type 3R Enclosure. Suitable for indoor and outdoor use. UL Listed to ANSI/UL Standard 1012.

