

DATE: \_\_\_\_\_ PROJECT: \_\_\_\_\_ TYPE: \_\_\_\_\_

CATALOG NUMBER LOGIC:



*\*Only available for Copper or Stainless Material.*

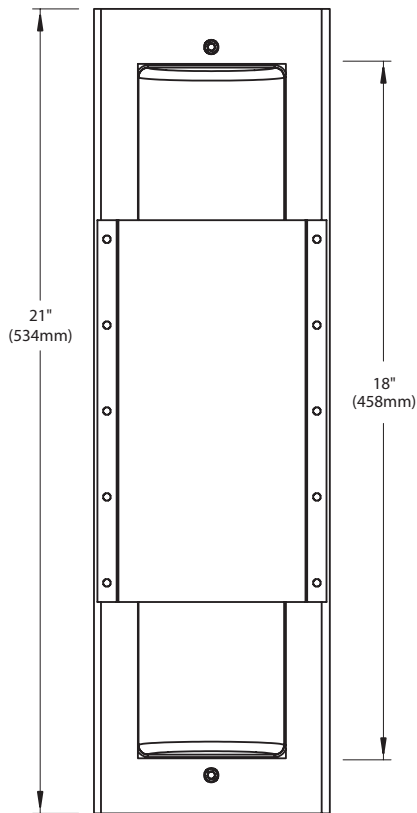
<b>CATALOG NUMBER LOGIC</b>
Example: AR - HS - 20 - LED - 391 - POL - WHT - 120
<b>MATERIAL</b>
(Blank) - Aluminum C - Copper S - Stainless Steel
<b>SERIES</b>
AR - Arcade
<b>STYLE</b>
HS - Half Shield
<b>WALL PLATE</b>
20 - 20 Inch
<b>SOURCE</b>
LED - LED
<b>LED TYPE</b>
390 - 10W LED/2700K 391 - 10W LED/3000K 392 - 10W LED/4000K
<b>FINISH (See page 2 for full-color swatches)</b>
Standard Finishes (BZP, BZW, BLP, BLW, WHP, WHW, SAP, VER)
Premium Finish (ABP, AMG, AQW, BCM, BGE, BPP, CAP, CMG, CRM, HUG, NBP, OCP, RMG, SDS, SMG, TXF, WCP, WIR)
Also available in RAL Finishes
Copper Finishes (NAT, BP, GP, POL)
Stainless Steel Finishes (NAT, POL)
<b>DIFFUSER</b>
WHT - Translucent White
ALB - White Alabaster
ROS - Rose Alabaster
HRN - Natural Horn
CAR - Carmel
RAD - Radiant Flame
<b>VOLTAGE</b>
120V or 277V
<b>OPTION*</b>
CLR - Clear Coat Protection (Available on NAT or POL finish only)

DATE:

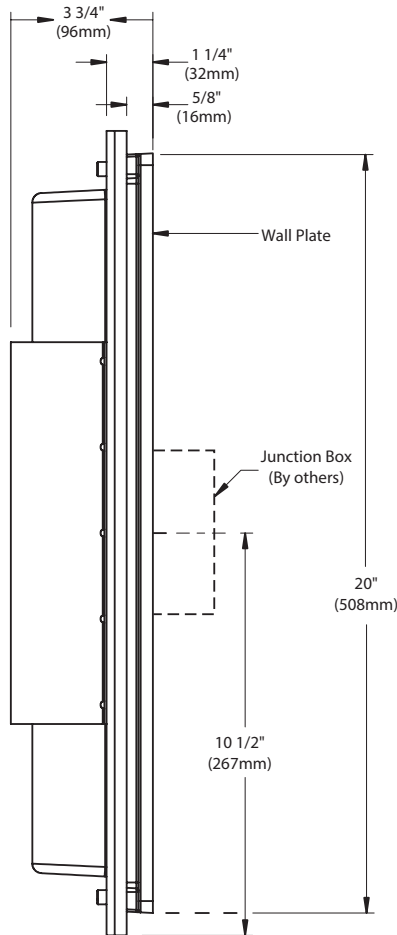
PROJECT:

TYPE:

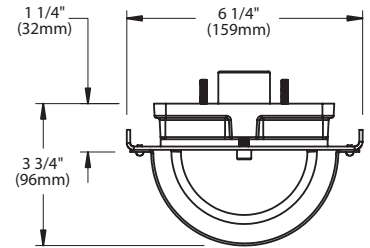
**FRONT VIEW**



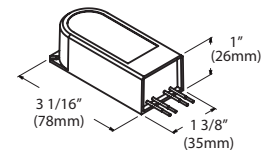
**SIDE VIEW**



**TOP VIEW**



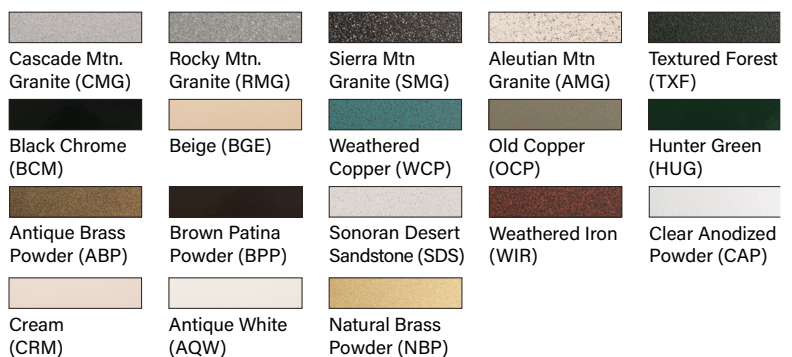
**TRANSFORMER**



**STANDARD FINISHES**



**PREMIUM FINISHES**



[Click Here](#) to view larger, full-color swatches of all available finishes on our website.

DATE:	PROJECT:	TYPE:
-------	----------	-------

ACCESSORIES (Configure separately)

## SPECIFICATIONS

ELECTRICAL	WATTAGE SOURCE WIRING TRANSFORMER	10W LED LED featuring LED technology (50,000 Hr. Life), 10W LED. Available in 2700K, 3000K and 4000K. Teflon® coated wire, 18AWG, 300V, 150° C rated and certified to UL 1659 standard. Includes a 12 VAC LED transformer. 120V or 277V.
PHYSICAL	MATERIALS  FACEPLATE WALL PLATE DIFFUSER HARDWARE FINISH  WARRANTY LISTINGS	Constructed from copper-free aluminum, copper and stainless steel. These lifetime materials are inherently corrosion resistant. Factory-applied finishes are also available. Cast from solid, copper-free aluminum, copper or stainless steel with stainless steel fasteners. Cast from solid, copper-free aluminum. Fully gasketed, and mounts to a recessed 4" octagonal junction box. One of 6 standard molded, etched acrylic translucent diffusers for high transmittance and long life. Tamper-resistant, stainless steel hardware with black oxide finish. Copper: Natural (NAT): Copper components are sand blasted to expose the porous metal surface. Over time, and with exposure to the elements, the metal will naturally 'weather,' resulting in a unique patina. Also available with hand-crafted metal finishes including brown patina (BP), green patina (GP), and polish (POL). Aluminum, copper and stainless components are also available in powder coat finishes. Optional ceramic clear coat protection (copper components only) seals and protects underlying metals and protects against discoloration, fading, and wear. Highly impervious to chemicals, solvents, and graffiti. For use with natural (NAT) and polish (POL) finishes. Aluminum: StarGuard®, our exclusive RoHs compliant, 15 stage chromate-free process cleans and conversion coats aluminum components prior to application of Class 'A' TGIC polyester powder coating. 5 year limited warranty. UL tested to IESNA LM-79. UL Listed. Certified to CAN/CSA/ANSI Standards. RoHs compliant. Suitable for indoor or outdoor use. Suitable for use in wet locations. Additionally suitable for installation within 4' of the ground. IP66 Rated. Made in USA.



# LAMP & TRANSFORMER DATA

DATE: \_\_\_\_\_ PROJECT: \_\_\_\_\_ TYPE: \_\_\_\_\_

## TRANSFORMER DATA

AC Input Range	Output Range	Frequency Hz	Power Factor At Full Load (Efficiency)	THD	Operation Ambient Temperature
120V	12V	50/60 Hz	> 0.98	<13%	-10°F to 130°F (-23°C to 54°C)
277V	12V	50/60 Hz	> 0.97	<13%	-10°F to 130°F (-23°C to 54°C)

### LM79 DATA

### LM70 DATA

TEKA LED #	LUMENS (Delivered)	CCT	INPUT WATTS (Typ.)	CRI (Typ.)	Minimum Rated Life (hrs.) - 70% of initial lumens (L70)
390	136	2700	10	90	50,000
<b>391</b>	<b>181</b>	<b>3000</b>	<b>10</b>	<b>80</b>	<b>50,000</b>
392	156	4000	10	90	50,000