

DATE:

PROJECT:

TYPE:

CATALOG NUMBER LOGIC:



**Designed for use with 12 VAC. LED transformer.
Requires magnetic low voltage dimmer.*

CATALOG NUMBER LOGIC

Example: HLP - C - 24 - LED - e70 - BZP - PP-TRe20

MATERIAL

(Blank) - Aluminum C - Copper

SERIES

HLP - High Light Path

STYLE

B - Bali

C - Classic

M - Moor

STEM LENGTH (specify inches)

12" (Standard), 18", 24", 30", 36", or 42"

SOURCE

LED - with Integral Driver*

LED TYPE

e70 - 3W LED/2700K e72 - 3W LED/4000K

e71 - 3W LED/3000K e73 - 3W LED/Amber

FINISH (See page 2 for full-color swatches)

Standard Finishes (BZP, BZW, BLP, BLW, WHP, WHW, SAP, VER)

Premium Finish (ABP, AMG, AQW, BCM, BGE, BPP, CAP, CMG, CRM, HUG, NBP, OCP, RMG, SDS, SMG, TXF, WCP, WIR)

Also available in RAL Finishes

Copper Finishes (NAT, BP, GP, POL)

OPTION

CLR - Clear Coat Protection (Available on NAT or POL finish only)

MOUNTING

#50 - #50 Clamp on Blades (Includes additional 12" stem for direct burial)

PP18B - 18" Power Pipe Stake with 'B' Cap

PP-TRe20 - Power Pipe T with 18" Stake, TRe20 Electronic Transformer (105-300VAC. 50/60 Hz. Non-Dimming)

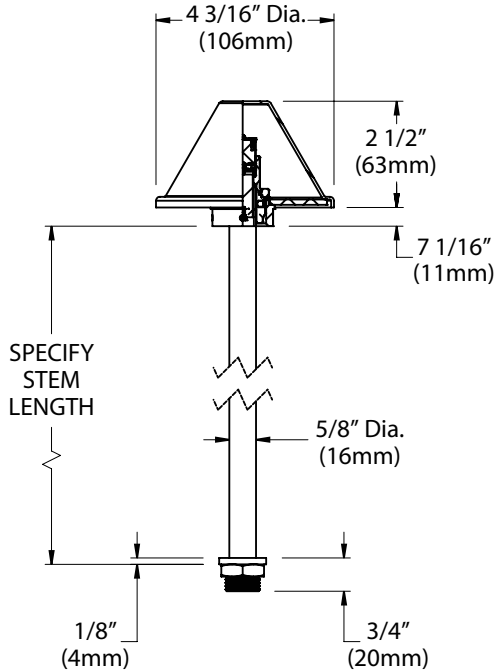
SF - Stability Flange (for use with power pipe)

DATE:

PROJECT:

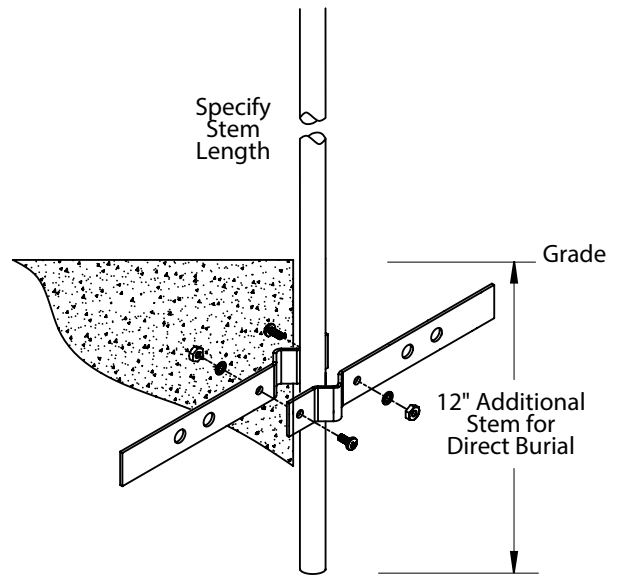
TYPE:

SIDE VIEW



#50 CLAMP ON BLADES (Optional)

Available with Copper Fixture Only



STANDARD FINISHES



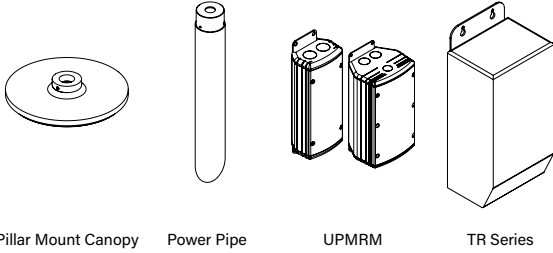
PREMIUM FINISHES



[Click Here](#) to view larger, full-color swatches of all available finishes on our website.

DATE: _____ PROJECT: _____ TYPE: _____

ACCESSORIES (Configure separately)



Pillar Mount Canopy Power Pipe UPMRM TR Series

SPECIFICATIONS

ELECTRICAL	WATTAGE	3W LED
	LED	Integrated LED system with 'e' technology is scalable for field upgrade. Modular design with electrical quick disconnects permit field maintenance. High power, forward throw source complies with ANSI C78.377 binning requirements. Exceeds ENERGY STAR® lumen maintenance requirements. LM-80 certified components.
	WIRING	Integral non-dimming driver. Up to 50,000 hour rated life at 70% of initial lumens (L70). LED technology provides long life, significant energy reduction and exceptional thermal management.
	TRANSFORMER	Black, 18/2 AWG. 30V 60° C rated and certified to UL 1659 standard. Leads extend 12" from fixture to facilitate live splice in suitable enclosure. For use with 12VAC LED remote transformer or magnetic transformers only. B-K Lighting cannot guarantee performance with third party manufacturers' transformers.
PHYSICAL	MATERIALS	Copper: Constructed from copper and brass. These enduring metals are inherently corrosion resistant. Aluminum: Constructed from Copper-Free aluminum (Type 6061-T6).
	SHADE	Made from 16gGA ATSM 3003-H14 Aluminum or 16GA ASTM C101 Copper.
	LENS	4" clear acrylic lens is factory adhered to shade and provides sealed optical compartment.
	BODY	Hub is machined from 6061-T6 Aluminum or 360 Brass. silicone 'O' Ring provides water tight seal to shade assembly.
	STEM	Machined from heavy wall 5/8" OD 6063 Aluminum or 1/2" Type K Soft Copper Tube. Available in configurable lengths For Standard Base 12" minimum and 42" maximum. For #50 base 24" minimum and 54" maximum.
	INSTALLATION	Available for installation in three distinct mounting conditions: #50 Clamp on Blades include an additional 12" stem for direct burial and leads extending 60" from fixture to facilitate live splice in suitable enclosure. Available with Copper Fixture only. Power Pipe - Provides a clean transition from wiring system to fixture. Schedule 80, 18" PVC housing for direct burial into soil or concrete. Machined 2-1/4" dia. cap for fixture mounting. Stainless steel hardware. Optional 6" diameter, molded stability flange, which simplifies installation and projects into substrate to reinforce housing stability. For use with 12VAC LED remote transformer or magnetic transformers only. TEKA Illumination cannot guarantee performance with third party manufacturers' transformers. Power Pipe with Transformer Housing (Optional) - Additionally features integral transformer housing fully machined from copper-free aluminum. High temperature, silicone 'O' Ring provides water-tight seal. Integral, TRe20 electronic transformer. 105-300VAC primary voltage. 50/60Hz. Non Dimming. 20VA maximum load.
HARDWARE	Tamper resistant, stainless steel hardware.	
FINISH	Copper: Natural (NAT): Copper and brass components are sand blasted to expose the porous metal surface. Over time, and with exposure to the elements, the metals will naturally 'weather' resulting in a unique patina. Also available with hand-crafted metal finishes including brown patina (BP), green patina (GP), and polish (POL). Copper and brass components are also available in powder coat finishes. Optional ceramic clear coat protection (copper and brass components only) seals and protects underlying metals and protects against discoloration, fading, and wear. Highly impervious to chemicals, solvents, and graffiti. For use with natural (NAT) and polish (POL) finishes.	



DATE:

PROJECT:

TYPE:

SPECIFICATIONS

PHYSICAL

FINISH

WARRANTY

LISTINGS

Aluminum: StarGuard®, our exclusive RoHs compliant, 15 stage chromate-free process cleans and conversion coats aluminum components prior to application of Class 'A' TGIC polyester powder coating.

5 year limited warranty.

UL Listed. Certified to CAN/CSA/ANSI Standards. RoHS compliant. Suitable for indoor or outdoor use. Suitable for use in wet locations. Additionally suitable for installation within 4' of the ground. IP65 Rated. Made in USA.



LAMP & DRIVER DATA

DATE: _____ PROJECT: _____ TYPE: _____

DRIVER DATA

Input Volts	InRush Current	Operating Current	Operation Ambient Temperature
12VAC/DC 50/60Hz	12A Max	700mA	-22°F to 194°F (-30°C to 90°C)

LM79 DATA

LM70 DATA

TEKA LED #	LUMENS (Delivered)	CCT	INPUT WATTS (Typ.)	CRI (Typ.)	Minimum Rated Life (hrs.) - 70% of initial lumens (L70)
e70	82	2700	3	80	50,000
e71	95	3000	3	80	50,000
e72	104	4000	3	80	50,000
e73	-	Amber (590nm)	3	-	50,000

CLASSIC HIGH PATH LIGHT (HLP-C) - HORIZONTAL FOOTCANDLES

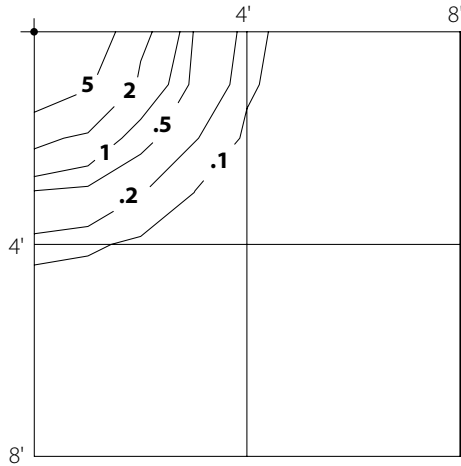
DATE:

PROJECT:

TYPE:

HLP - LED - e72 (3W) - 4000K

Mounting Height = 2 Ft



HORIZONTAL FOOTCANDLES

Light Loss Factor = 1.00

Luminaire Lumens = 100

Maximum Calculated Value = 8.98 Fc

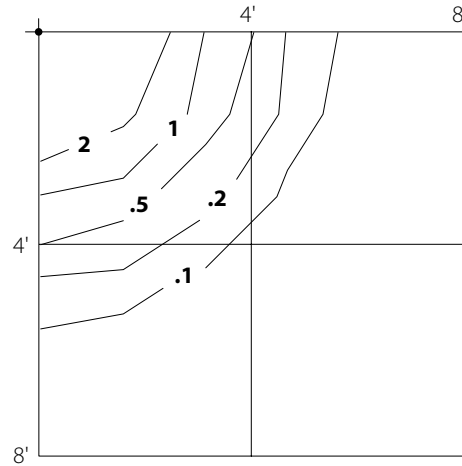
2.7K Multiplier = .79

3K Multiplier = .91

BUG Rating = B0 U0 G0

HLP - LED - e72 (3W) - 4000K

Mounting Height = 3 Ft



HORIZONTAL FOOTCANDLES

Light Loss Factor = 1.00

Luminaire Lumens = 100

Maximum Calculated Value = 3.99 Fc

2.7K Multiplier = .79

3K Multiplier = .91

BUG Rating = B0 U0 G0